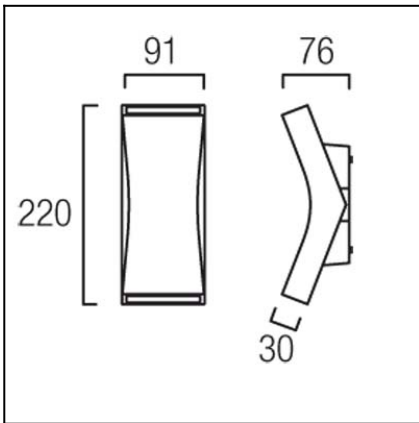


Design by Benedito Design

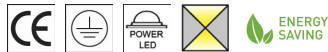

The photograph may not match the reference exactly. Please read the product description to identify the finish.



Download photometric file .ldt / .ies

TECHNICAL CHARACTERISTICS

| | |
|---------------------------------|----------------------------------|
| Type: | Wall fixture |
| IP Protection degrees: | IP20 |
| Bulb: | 2 x LED Cree. Warm White - 3000K |
| Power (W): | 4,5 |
| Total power consumption (W): | 10 |
| Voltage / Frequency: | 100-240V/50-60Hz |
| Possibilitat extensió garantia: | Sí, 5 anys |
| Units per box: | 20 |
| Net Weight (Kg): | 0.49 |
| EAN: | 8435111082348 |


MATERIALS / FINISHES

Structure material: Aluminium
Zamak

Diffuser material: Polycarbonate

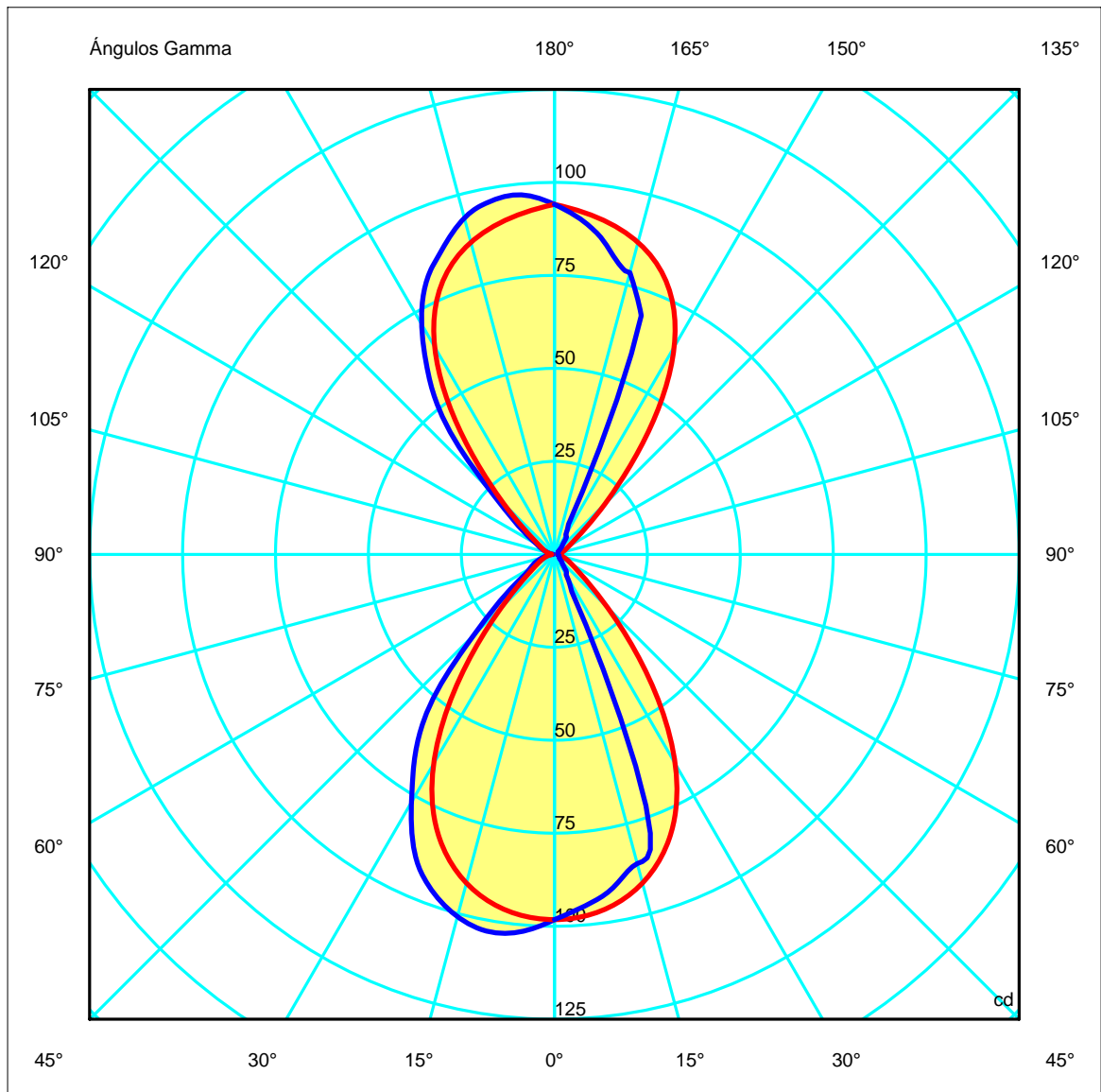
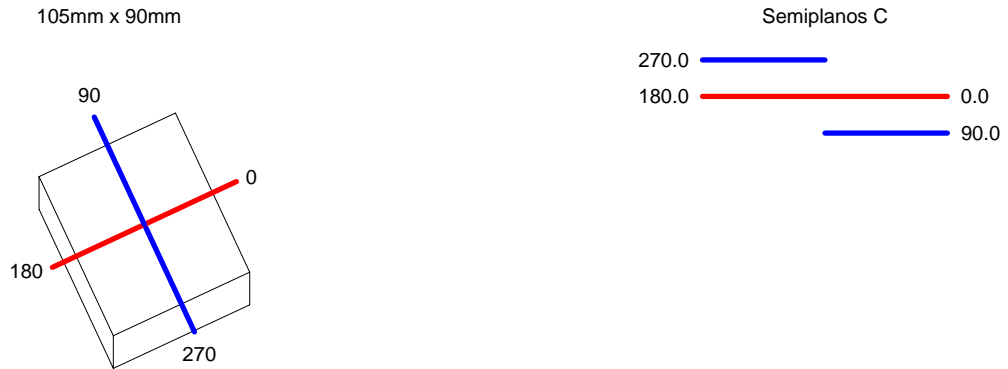
Structure finish: Ecobright

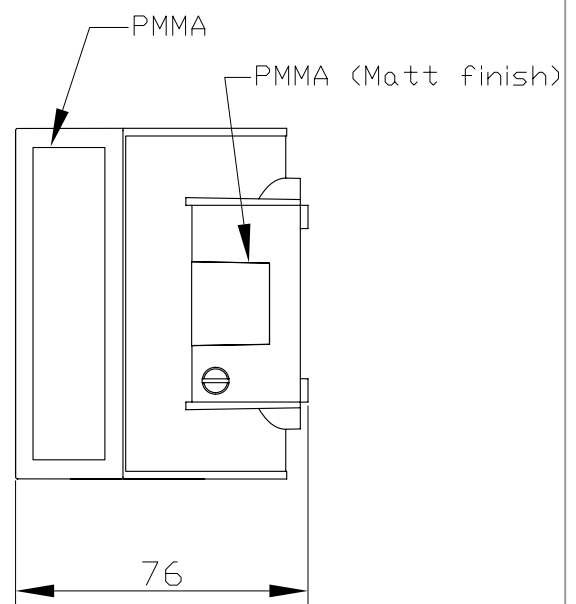
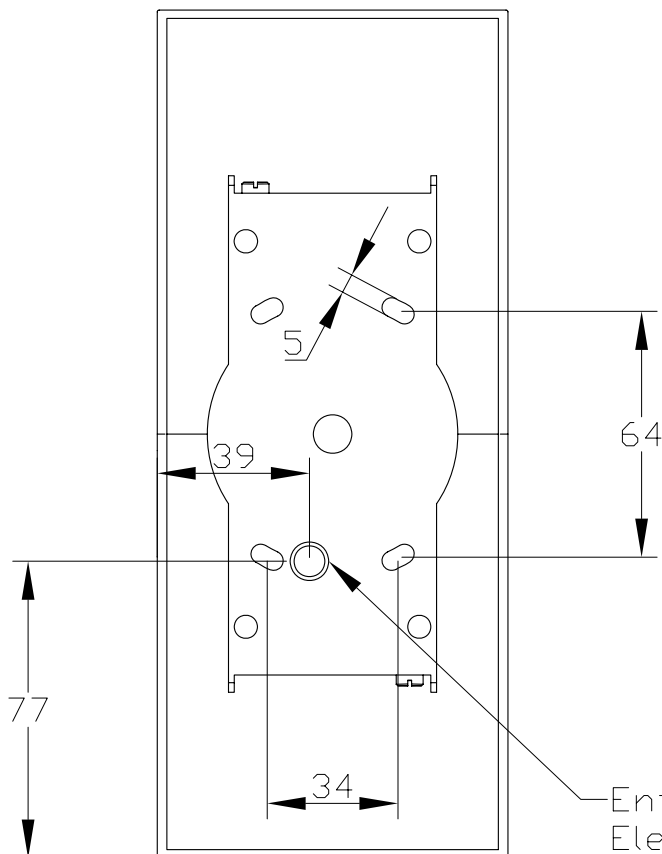
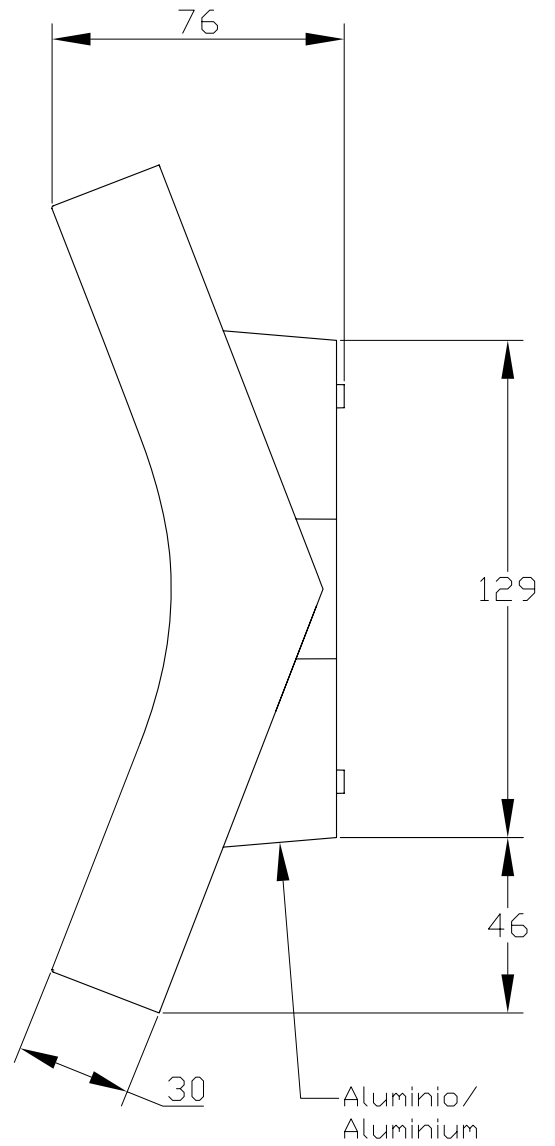
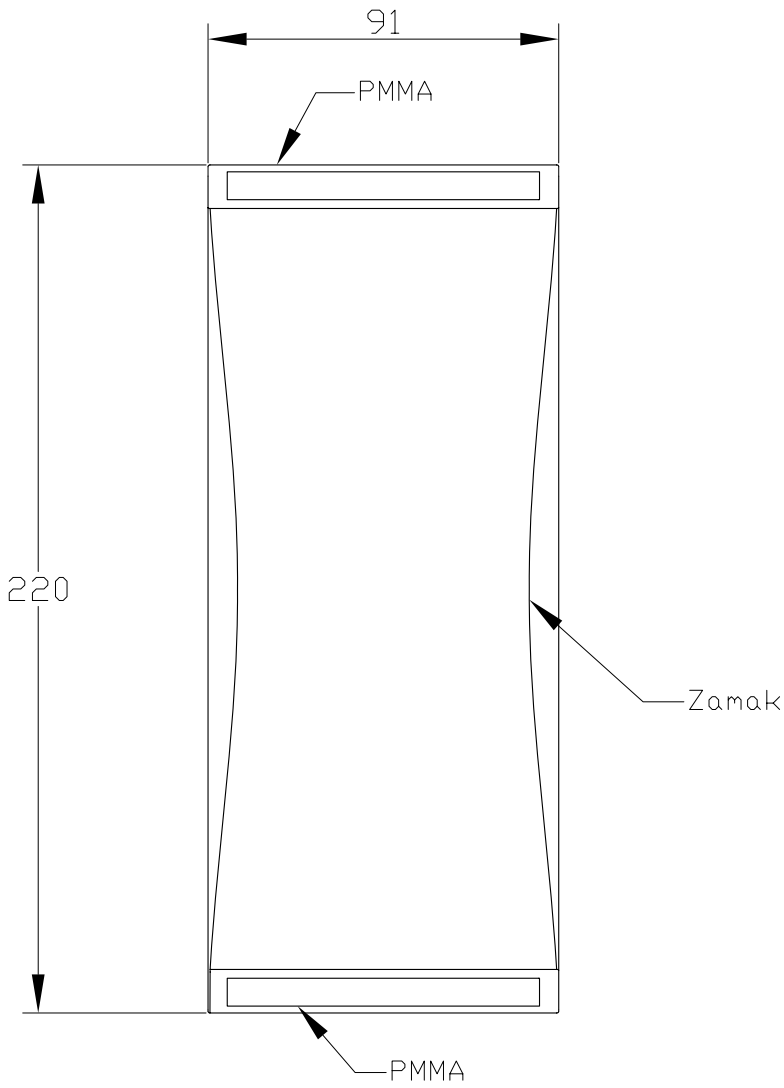
Diffuser finish: Opal

GEAR

Multi-voltage electronic gear included (110-240 V / 50-60 Hz)

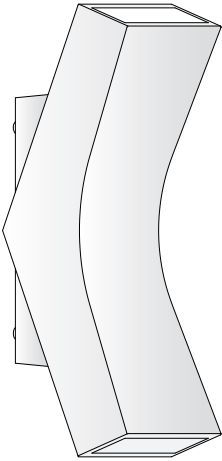
| Luminaria | | Ensayo | | Lámpara | |
|--------------|---------------------|-------------------|---------------------|--------------------|--------------------|
| Código | 05-4394-AH-M1 | Código | 05-4394-AH-M1 | Código | LAMP 05-4394-AH-M1 |
| Nombre | Aplique gris 2 leds | Nombre | Aplique gris 2 leds | Número | 1 |
| Familia | - LEDS C4 LEDS | Fecha | 18-02-2011 | Posición | Universal |
| Rendimiento | 100.00% | Sist. de Coorden. | C-G | Flujo Total | 238.87 lm |
| Valor Máximo | 102.94 cd | Posición | C=270.00 G=10.00 | Sim. en los planos | 270-90 |



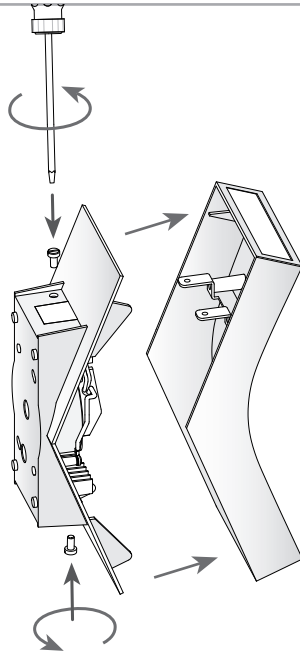


Entrada cable/
Electrical wire hole

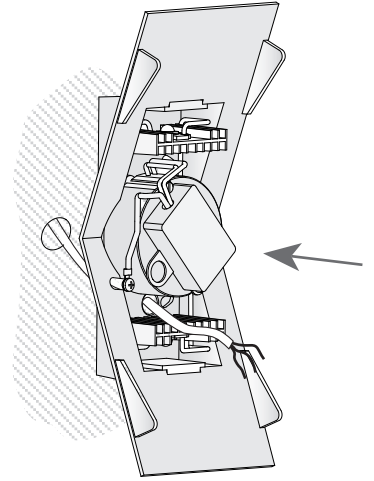
1



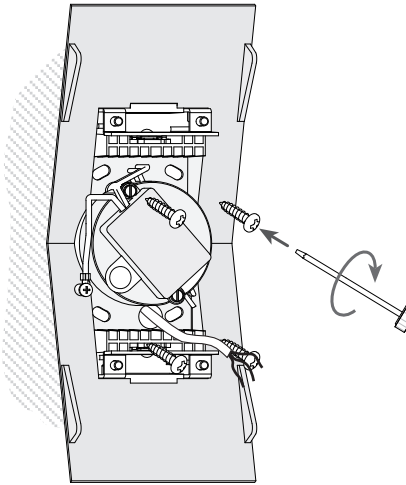
2



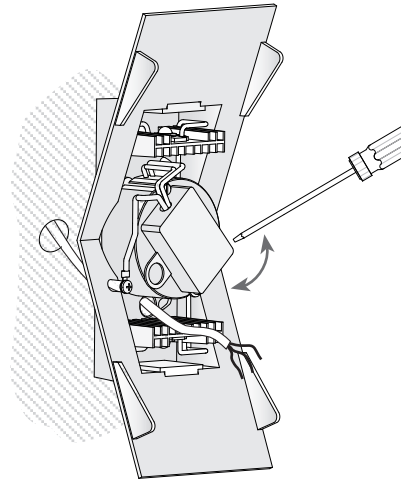
3



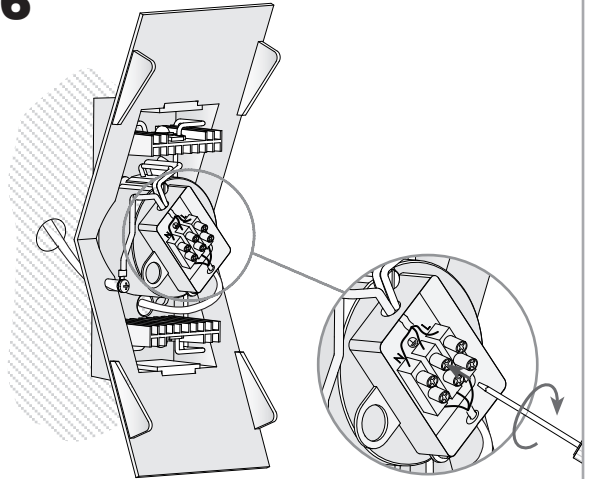
4



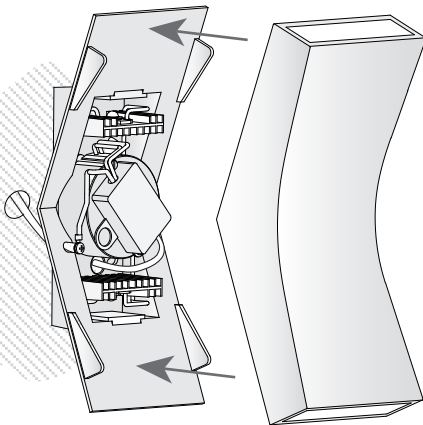
5



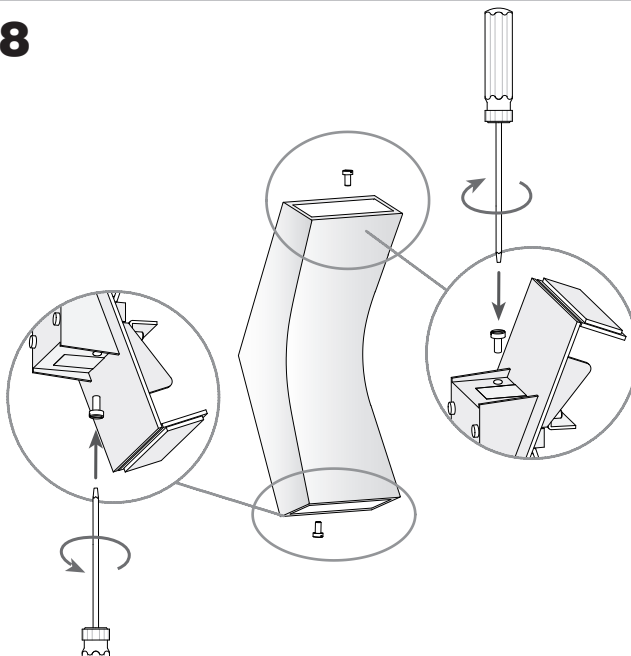
6



7



8



9

