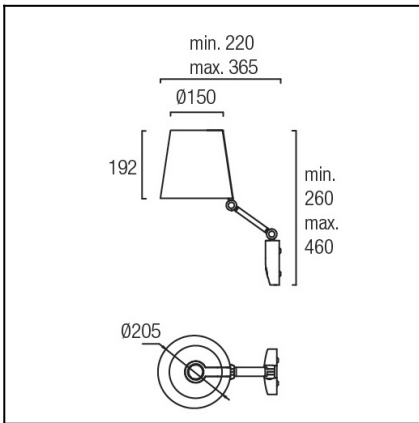


Design by Francesc Vilaró


The photograph may not match the reference exactly. Please read the product description to identify the finish.



Download photometric file .ldt / .ies

TECHNICAL CHARACTERISTICS

Type:	Wall fixture
Adjustable $\pm 45^\circ$ on the vertical axis	
IP Protection degrees:	IP20
Lampholder:	1 x E14
Power (W):	E14 15W
Total power consumption (W):	15
Voltage / Frequency:	230-240V / 50-60Hz
Units per box:	1
Net Weight (Kg):	1.5
EAN:	8435111083222


MATERIALS / FINISHES

Structure material: Aluminium

Diffuser material: Methacrylate
Methacrylate

Structure finish: Chrome

Diffuser finish: Fumé
Matt opal

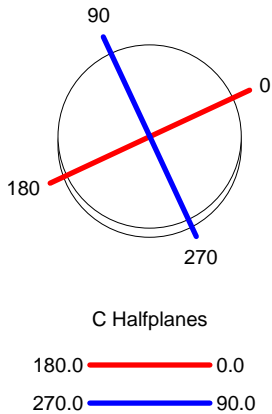
GEAR

Multi-voltage electronic gear included (110-240 V / 50-60 Hz)

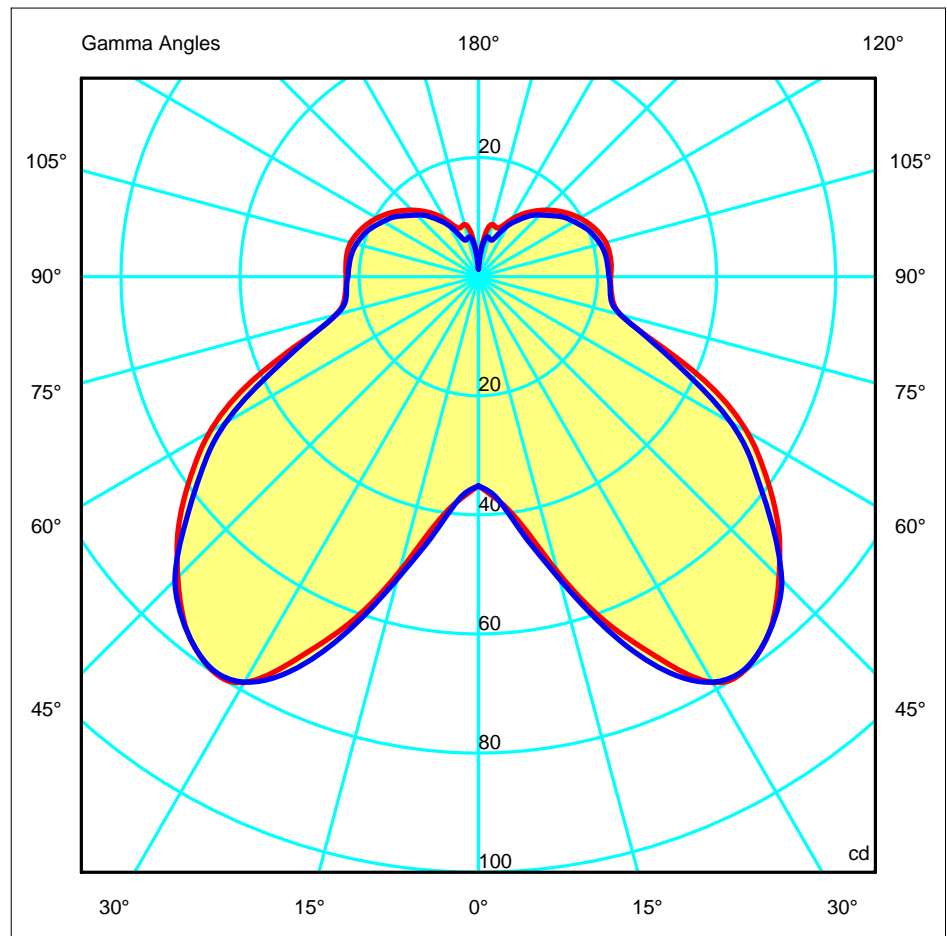
Luminaire		Measur.		Lamp	
Code	05-4409-21-12	Code	00-4409-21-12	Code	DLX EL LL 11W827E27
Name	Aplique EMY 11W PL E14	Name	Colgante 1x30W TC-EL E27	Number	1
Line	- LEDS-C4	Date	14-12-2012	Position	Universal
Efficiency	61.09%	Coordinate system	CG	Total Flux	660.00 lm
Maximum value	79.91 cd	Position	C=60.00 G=35.00	Double Symmetrical	
Round Luminaire	Diam.	205 mm	Height	192 mm	
Round Luminous Area	Diam.	205 mm	Height	192 mm	
Horizontal Luminous Area	0.033006 m2		Emitting area on Plane 180°	0.039360 m2	
Emitting area on Plane 0°	0.039360 m2		Emitting area on Plane 270°	0.039360 m2	
Emitting area on Plane 90°	0.039360 m2		Glare area at 76°	0.046176 m2	
Symmetry Type	Double Symmetrical		Maximum Gamma Angle	180	
Measurement Distance	6.44		Measurement Flux	1940.00 lm	
Operator	Asselum T2		Source voltage	230.00 V	
Temperature	20.00 °C		Source current	PRC	
Humidity	47.00 %		Photocell		
Notes					

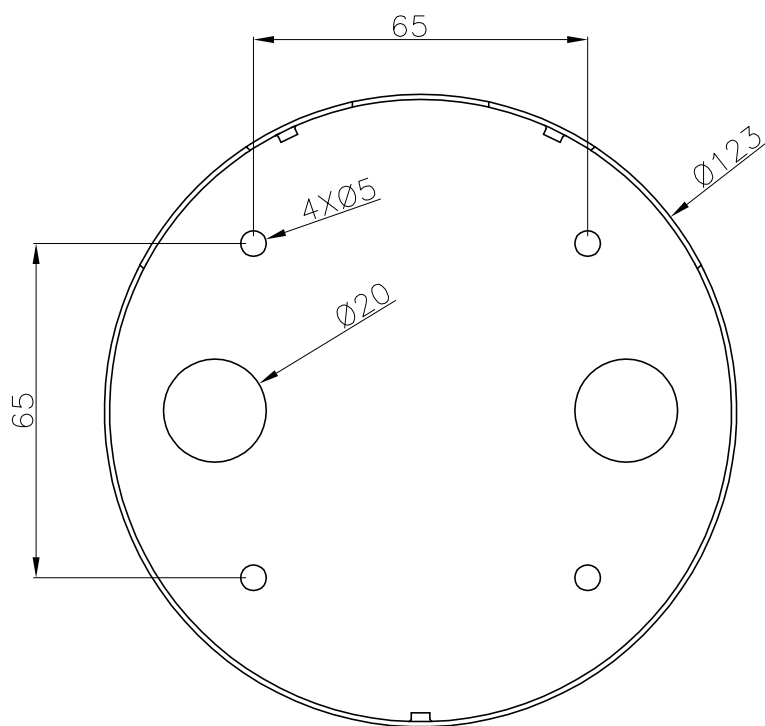
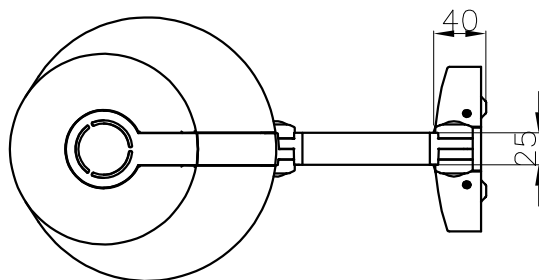
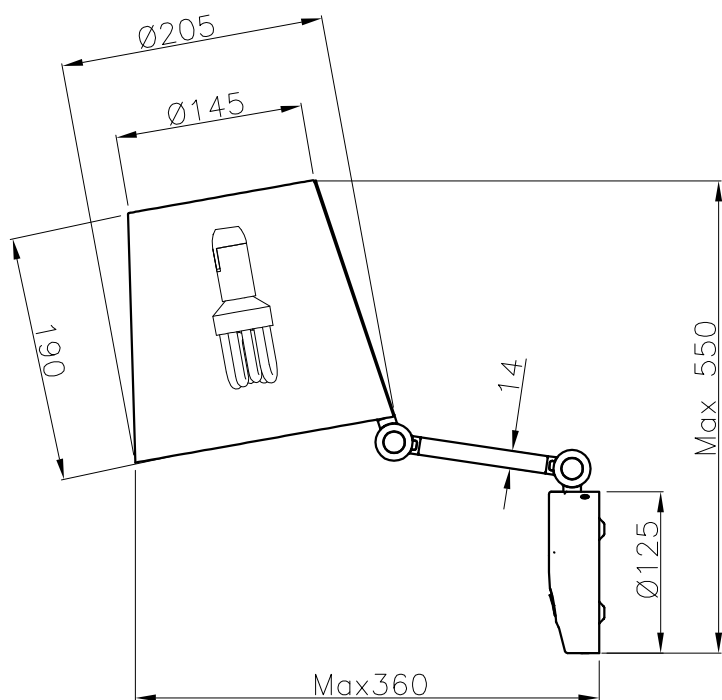
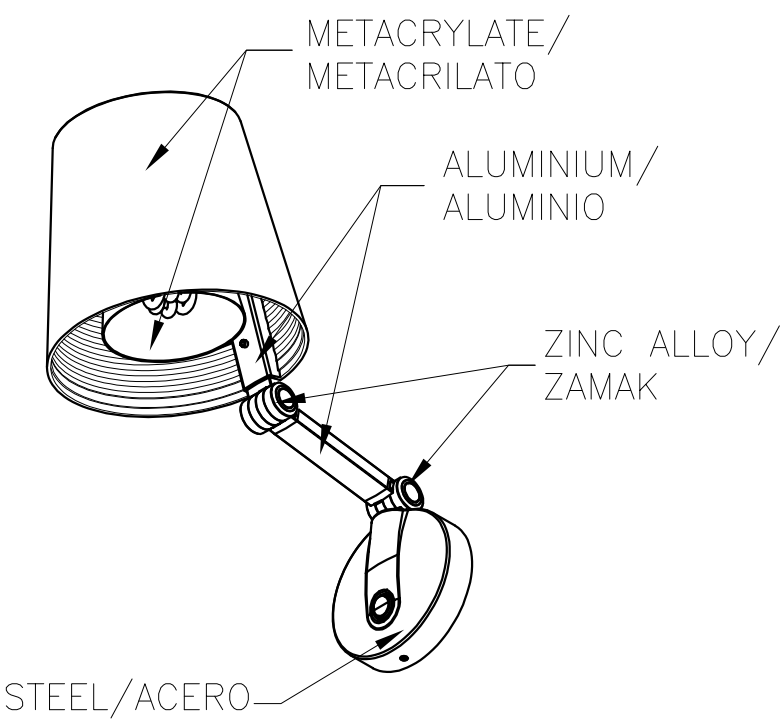
Luminaire Lamps					
Line	Code	Name	Flux [lm]	Pow. [W]	Q.ty
OSRAM 2006 FB,T,G,C,FS,Q,M,D	DLX EL LL 11W827E27	DULUX® EL LONGLIFE 11W/827 E27	660.00	11.00	1
C.I.E.	36 69 88 73 61	D DIN 5040	B21		
F UTE	0.45 G + 0.16 T	B NBN	BZ 6		

Diam=205mm

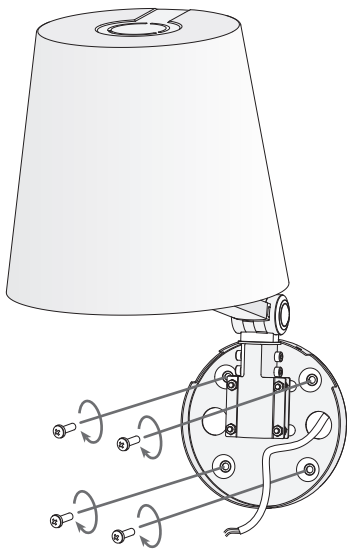


ULOR 16.26 %
DLOR 44.83 %
RN 26.62 %

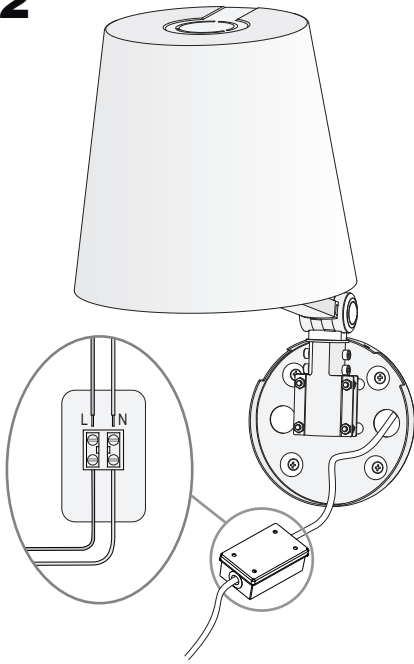




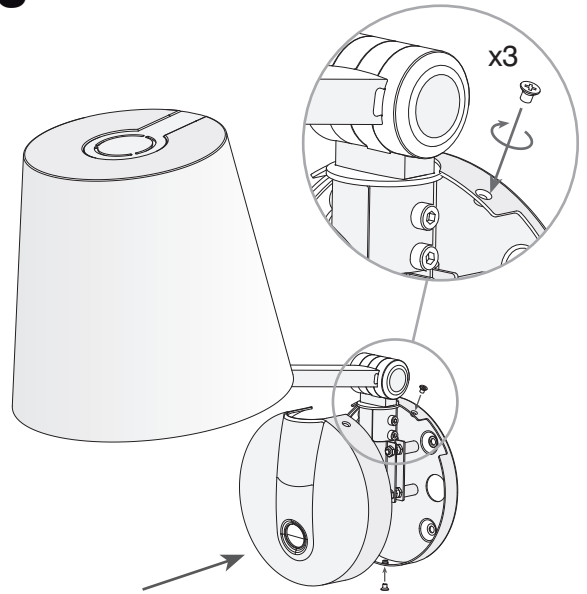
1



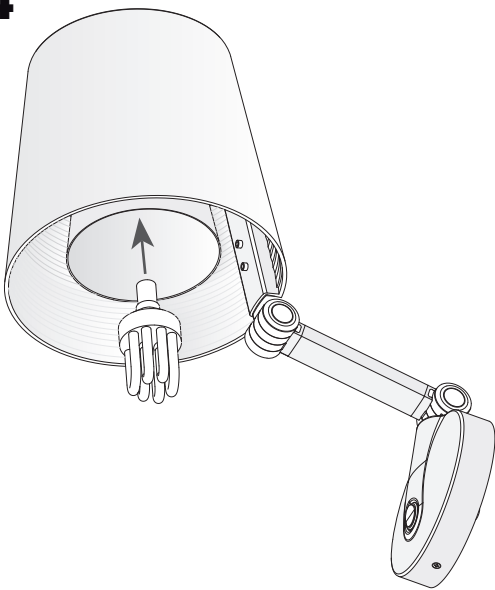
2



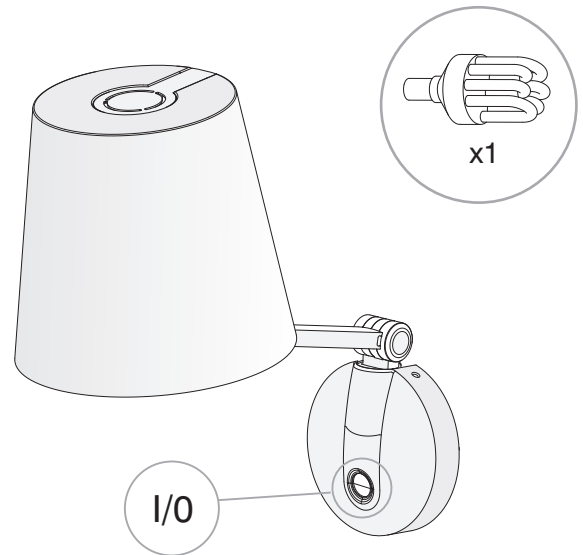
3



4



5



6

