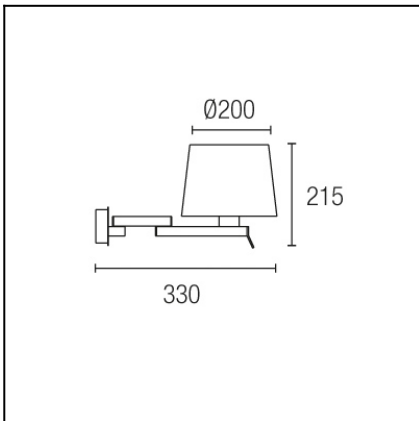
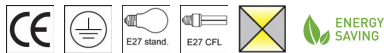


Design by Nahtrang Design


The photograph may not match the reference exactly. Please read the product description to identify the finish.


TECHNICAL CHARACTERISTICS

Type:	Wall fixture
Adjustable $\pm 120^\circ$ on the horizontal axis.	
IP Protection degrees:	IP20
Lampholder:	1 x E27 1 x E27
Power (W):	E27 60w E27 13w
Total power consumption (W):	60
Voltage / Frequency:	220-240V/50-60Hz
Units per box:	8
Net Weight (Kg):	0.59
EAN:	8435111086681


MATERIALS / FINISHES

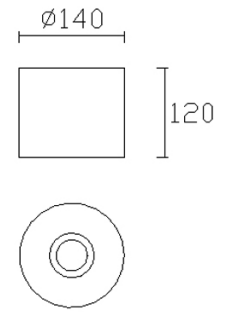
Structure material: Steel
Structure finish: Satin nickel
 Matt

Download photometric file .ldt / .ies

PAN-175-14


Structure material: Steel
Structure finish: White

Diffuser material: Fabric shade
Diffuser finish: White

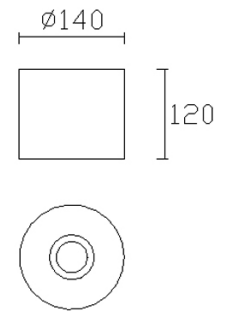


IP20

PAN-175-BY


Structure material: Steel
Structure finish: White

Diffuser material: Fabric shade
Diffuser finish: Sandblasted

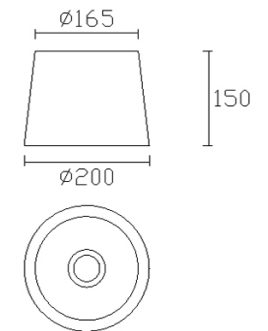


IP20

PAN-157-14


Structure material: Steel
Structure finish: White

Diffuser material: Fabric shade
Diffuser finish: White

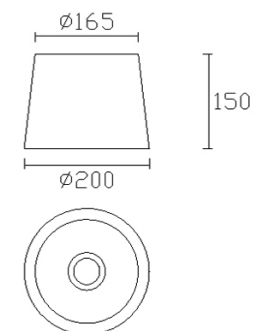


IP20

PAN-157-BY


Structure material: Steel
Structure finish: White

Diffuser material: Fabric shade
Diffuser finish: Sandblasted



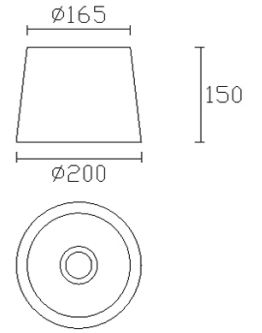
IP20

PAN-158-J6



Structure material: Steel
Structure finish: White

Diffuser material: Fabric shade
Diffuser finish: Brown



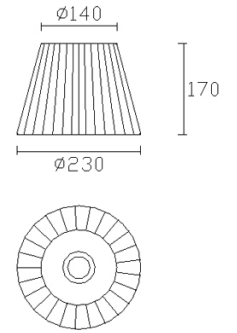
IP20

PAN-169-14



Structure material: Steel
Structure finish: White

Diffuser material: Fabric shade
Diffuser finish: White



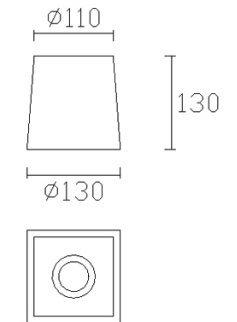
IP20

PAN-178-14



Structure material: Steel
Structure finish: White

Diffuser material: Fabric shade
Diffuser finish: White



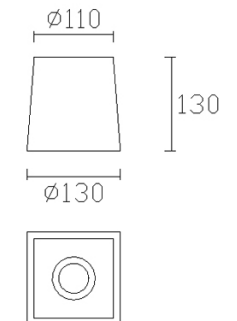
IP20

PAN-178-BY



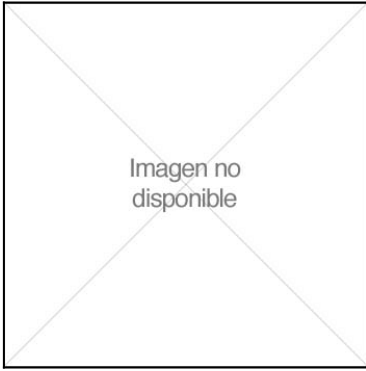
Structure material: Steel
Structure finish: White

Diffuser material: Fabric shade
Diffuser finish: Sandblasted

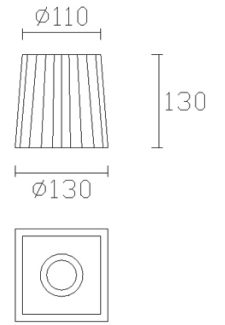


IP20

PAN-186-20



Structure material: Steel
Structure finish: White
Diffuser material: Fabric shade
Diffuser finish: Beige

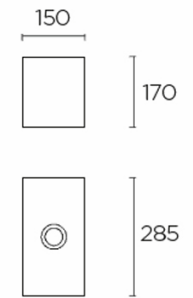


IP20

PAN-176-14



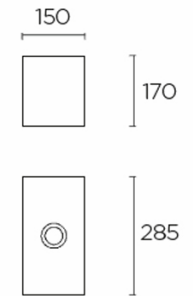
Structure material: Steel
Diffuser material: Fabric shade
Diffuser finish: White



PAN-176-BY



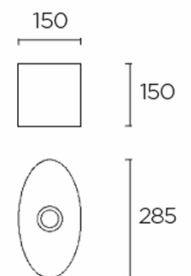
Structure material: Steel
Diffuser material: Fabric shade
Diffuser finish: Sandblasted



PAN-177-14



Structure material: Steel
Diffuser material: Fabric shade
Diffuser finish: White



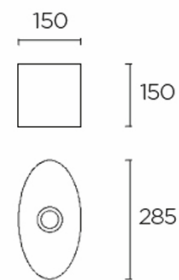
PAN-177-BY

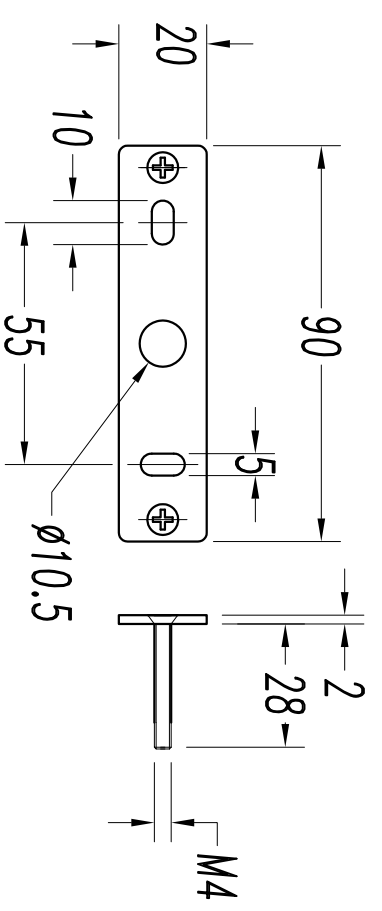
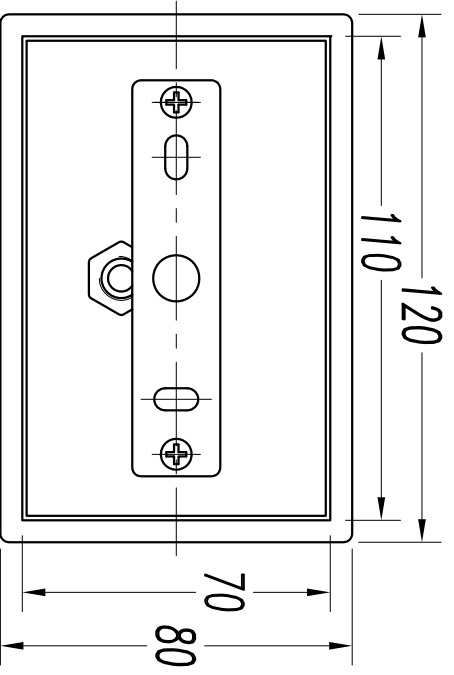
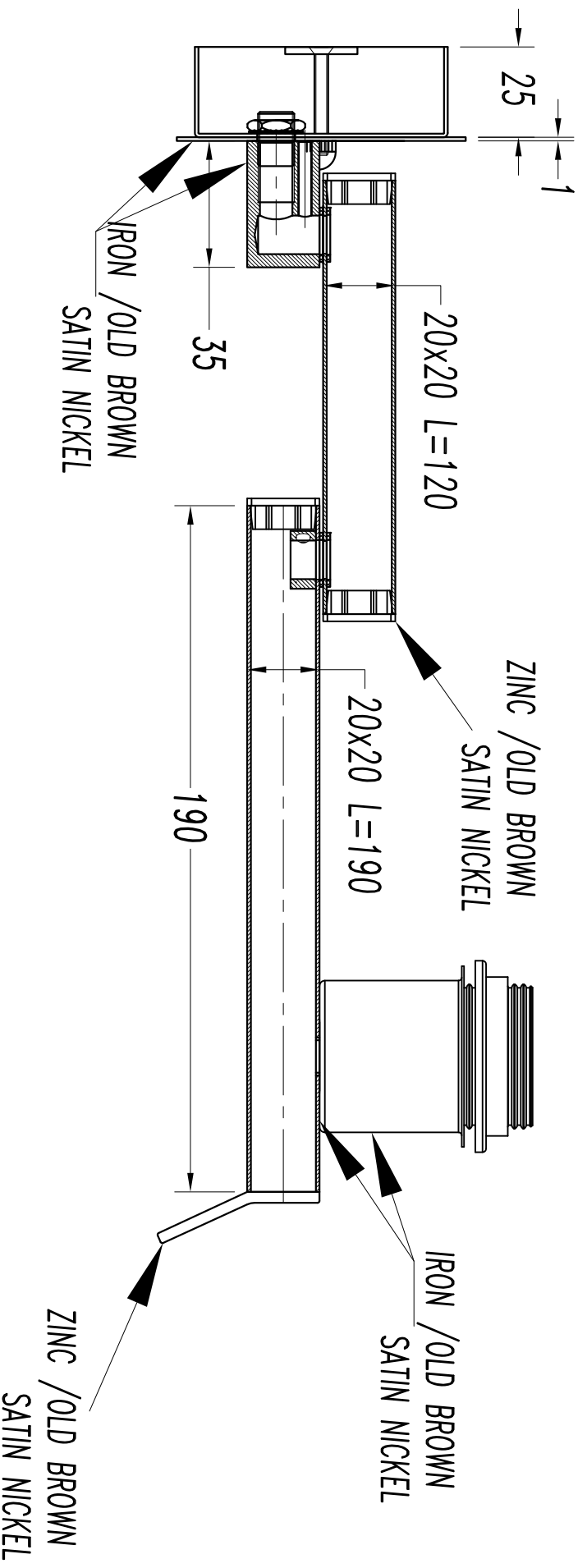


Structure material: Steel

Diffuser material: Fabric shade

Diffuser finish: Sandblasted





Jun-24-2011

