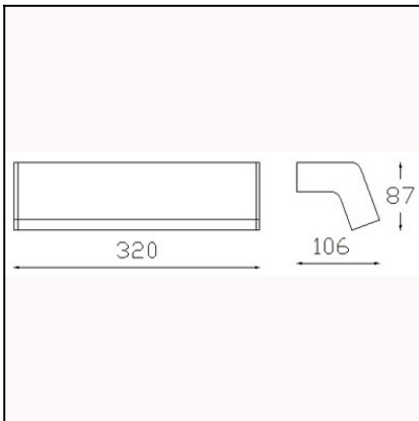


Design by Nahtrang Design



The photograph may not match the reference exactly. Please read the product description to identify the finish.



TECHNICAL CHARACTERISTICS

Type:	Wall fixture
IP Protection degrees:	IP44
Lampholder:	2 x G5
Power (W):	G5 8W
Voltage / Frequency:	220-240V/50-60Hz
Units per box:	8
Net Weight (Kg):	0.76
EAN:	8435111089842



MATERIALS / FINISHES

Structure material:	Extruded aluminium	Diffuser material:	Polycarbonate
Structure finish:	Chrome	Diffuser finish:	Matt opal

GEAR

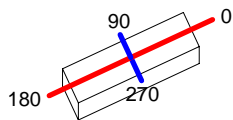
Gear included: Yes, electronic

[Download photometric file .ldt / .ies](#)

Luminaire		Measur.		Lamp		
Code	05-4698-21-M1	Code	05-4699-21-M1	Code	TL Mini 8W/33	
Name	Aplique CONCEPT 2x8W T5	Name	Aplique 2x14W T5 dif. acritico	Number	2	
Line	- LEDS-C4	Date	25-06-2013	Position	Universal	
Efficiency	41.55%	Coordinate system	CG	Total Flux	820.00 lm	
Maximum value	63.51 cd	Position	C=0.00 G=0.00	Sym. on planes	270-90	
Rectangular Luminaire	Length	90 mm	Width	320 mm	Height	105 mm
Rectangular Luminous Area	Length	70 mm	Width	310 mm	Height	45 mm
Horizontal Luminous Area	0.021700 m2	Emitting area on Plane 180°		0.003150 m2		
Emitting area on Plane 0°	0.003150 m2	Emitting area on Plane 270°		0.013950 m2		
Emitting area on Plane 90°	0.013950 m2	Glare area at 76°		0.008306 m2		
Symmetry Type	Sym. on planes 270-90	Maximum Gamma Angle		180		
Measurement Distance	6.44	Measurement Flux		2400.00 lm		
Operator	Asselum T2	Source voltage		230.00 V		
Temperature	23.00 °C	Source current		PRC		
Humidity	54.00 %	Photocell				
Notes						

Luminaire Lamps						
Line	Code	Name	Flux [lm]	Pow. [W]	Q.ty	
PHILIPS 2005 ILCOS FD,FC	TL Mini 8W/33	TL MINI 8W/33 G5	410.00	8.00	2	
C.I.E.	37 65 85 70 42	D DIN 5040				B21
F UTE	0.29 H + 0.13 T	B NBN				BZ 6

90mm x 320mm



C Halfplanes
 270.0 ————
 180.0 ———— 0.0
 ———— 90.0

ULOR 12.56 %
 DLOR 28.99 %
 RN 30.23 %

