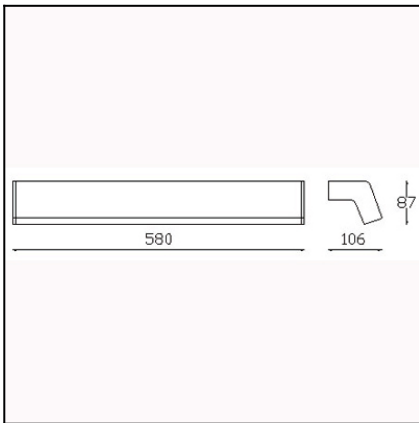


Design by Nahtrang Design



The photograph may not match the reference exactly. Please read the product description to identify the finish.



### TECHNICAL CHARACTERISTICS

Type:	Wall fixture
IP Protection degrees:	IP44
Lampholder:	2 x G5
Power (W):	G5 14
Voltage / Frequency:	220-240V/50-60Hz
Warranty (Years):	2
Units per box:	8
Net Weight (Kg):	1.175
EAN:	8435111089859,00



### MATERIALS / FINISHES

**Structure material:** Extruded aluminium  
**Structure finish:** Chrome

**Diffuser material:** Polycarbonate  
**Diffuser finish:** Matt opal

### GEAR

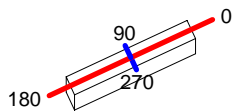
Gear included: Yes, electronic

[Download photometric file .ldt / .ies](#)

<b>Luminaire</b>		<b>Measur.</b>		<b>Lamp</b>			
Code	05-4699-21-M1	Code	05-4699-21-M1	Code	TL5 HE sup80 14W/840		
Name	Aplique 2x14W t dif. acrílico	Name	Aplique 2x14W T5 dif. acrílico	Number	2		
Line	- LEDS-C4	Date	25-06-2013	Position	Universal		
Efficiency	41.55%	Coordinate system	CG	Total Flux	2400.00 lm		
Maximum value	185.88 cd	Position	C=270.00 G=0.00	Sym. on planes	270-90		
Rectangular Luminaire	Length	87 mm	Width	585 mm	Height	106 mm	
Rectangular Luminous Area	Length	70 mm	Width	575 mm	Height	45 mm	
Horizontal Luminous Area	0.040250 m2	Emitting area on Plane 180°	0.003150 m2	Emitting area on Plane 270°	0.025875 m2	Glare area at 76°	0.012794 m2
Symmetry Type	Sym. on planes 270-90	Maximum Gamma Angle	180	Measurement Flux	2400.00 lm		
Operator	Asselum T2	Source voltage	230.00 V	Temperature	23.00 °C		
Humidity	54.00 %	Source current	Photocell	Notes	PRC		

Luminaire Lamps						
Line	Code	Name	Flux [lm]	Pow. [W]	Q.ty	
PHILIPS 2005 ILCOS FD,FC	TL5 HE sup80 14W/840	MASTER TL5 HE super80 14W/840	1200.00	14.00	2	
C.I.E.	37 65 85 70 42	D DIN 5040	B21			
F UTE	0.29 H + 0.13 T	B NBN	BZ 6			

87mm x 585mm



C Halfplanes  
 270.0 — Blue  
 180.0 — Red  
 90.0 — Blue

ULOR 12.56 %  
 DLOR 28.99 %  
 RN 30.23 %

