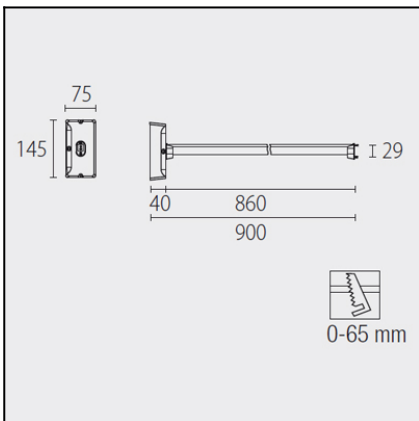


The photograph may not match the reference exactly. Please read the product description to identify the finish.



DESCRIPTION

LED light bar with infrared sensor that lights automatically when it detects the presence of a person. Produced in anodised aluminium and finished in grey (with anti-scratch surface treatment) and PMMA diffuser. Three versions available according to length and wattage: 60cm (2.4W), 90cm (3.6W) and 120cm (4.8W). High visual comfort to prevent glare. Option of including mounting kit for non-standard sizes.

TECHNICAL CHARACTERISTICS

Type:	Wall fixture
Adjustable $\pm 45^\circ$ on the vertical axis	
IP Protection degrees:	IP20
Bulb:	0 x LED. Neutral white - 4000K
Power (W):	3,6
Total power consumption (W):	5.9
Voltage / Frequency:	220-240V/50-60Hz
Warranty (Years):	2
Option to extend the guarantee:	Yes, 5 years
Units per box:	1
Net Weight (Kg):	0.61
EAN:	0,00



MATERIALS / FINISHES

Structure material: Aluminium
Structure finish: Textured grey

Diffuser material: PVC
Diffuser finish: Matt

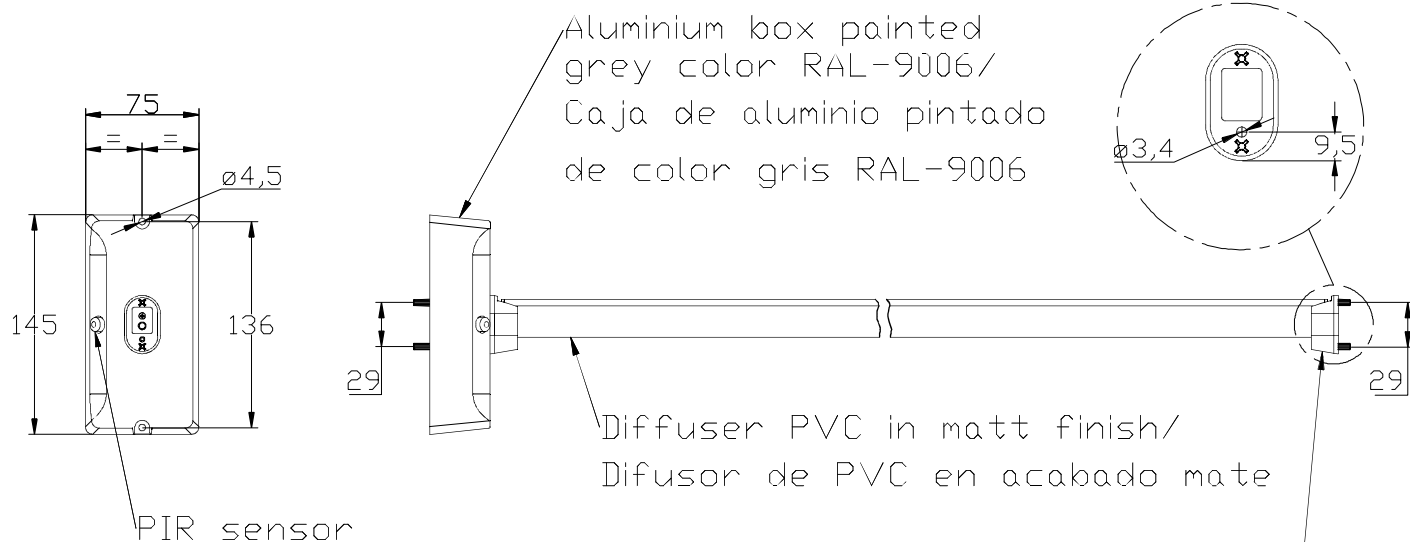
GEAR

Gear included: Yes, electronic

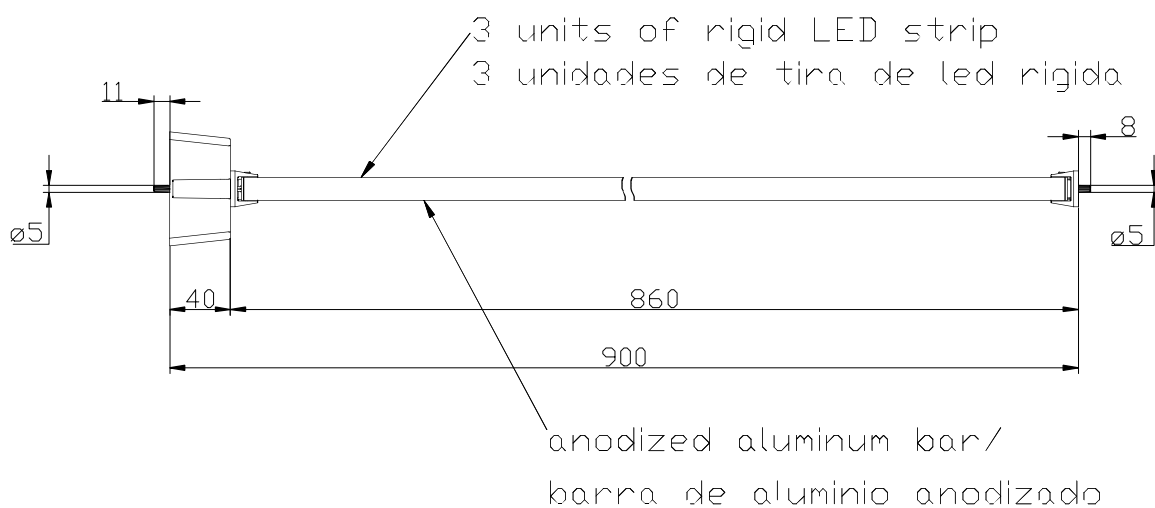
Download photometric file .ldt /.ies

71-4655-N3-00Attachment kit

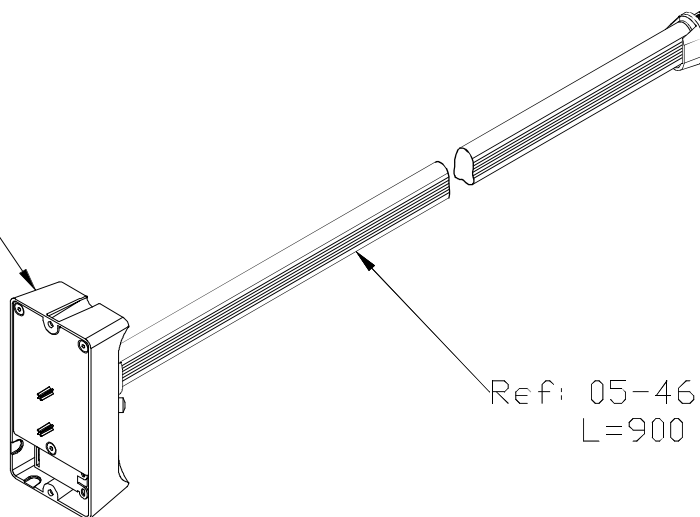
Structure material:	Zamak
Structure finish:	Grey



Aluminium bracket painted grey color RAL-9006
Soporte de aluminio pintado de color gris RAL-9006

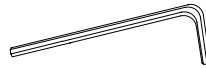
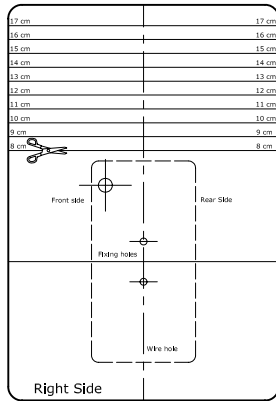
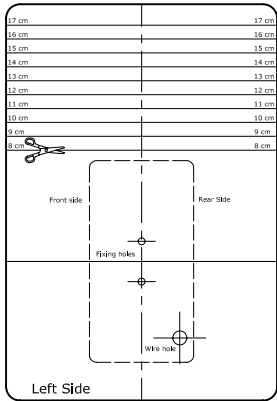
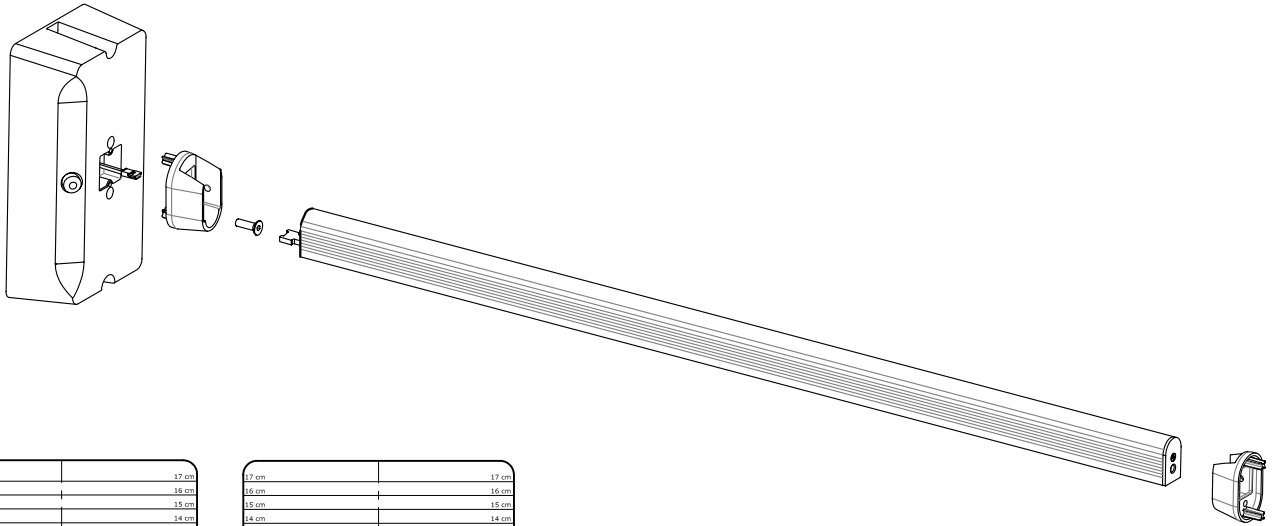


Ref: 05-0792-N3-00

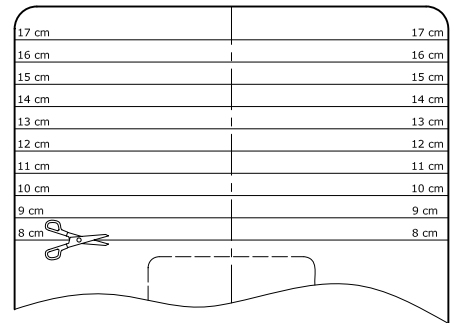
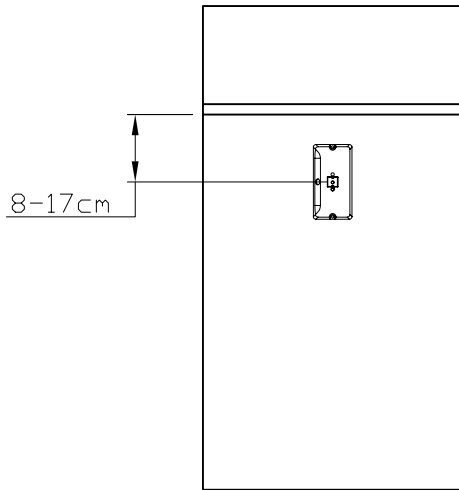
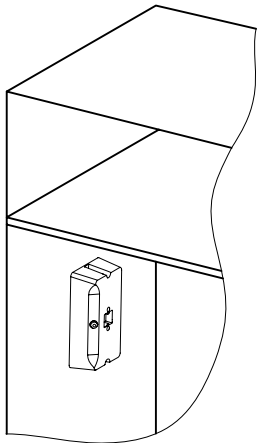


Ref: 05-4656-N3-M3
L=900

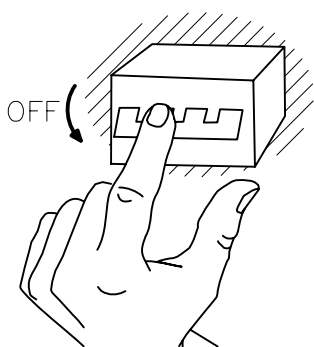
①



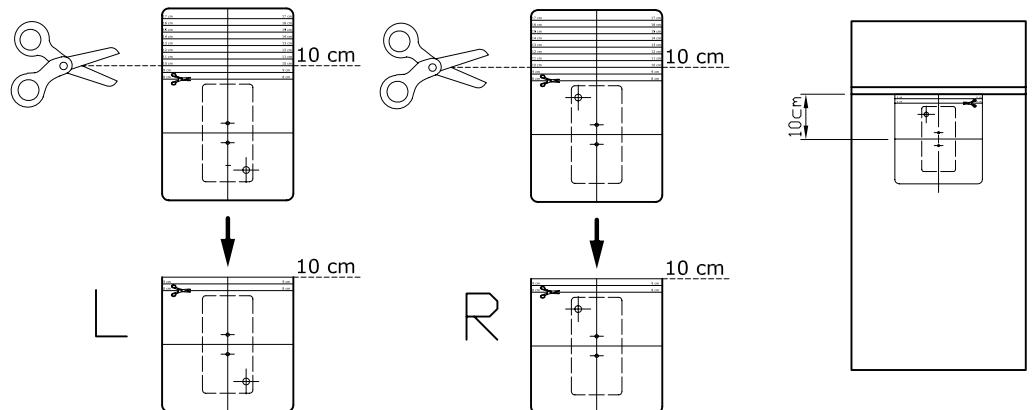
②



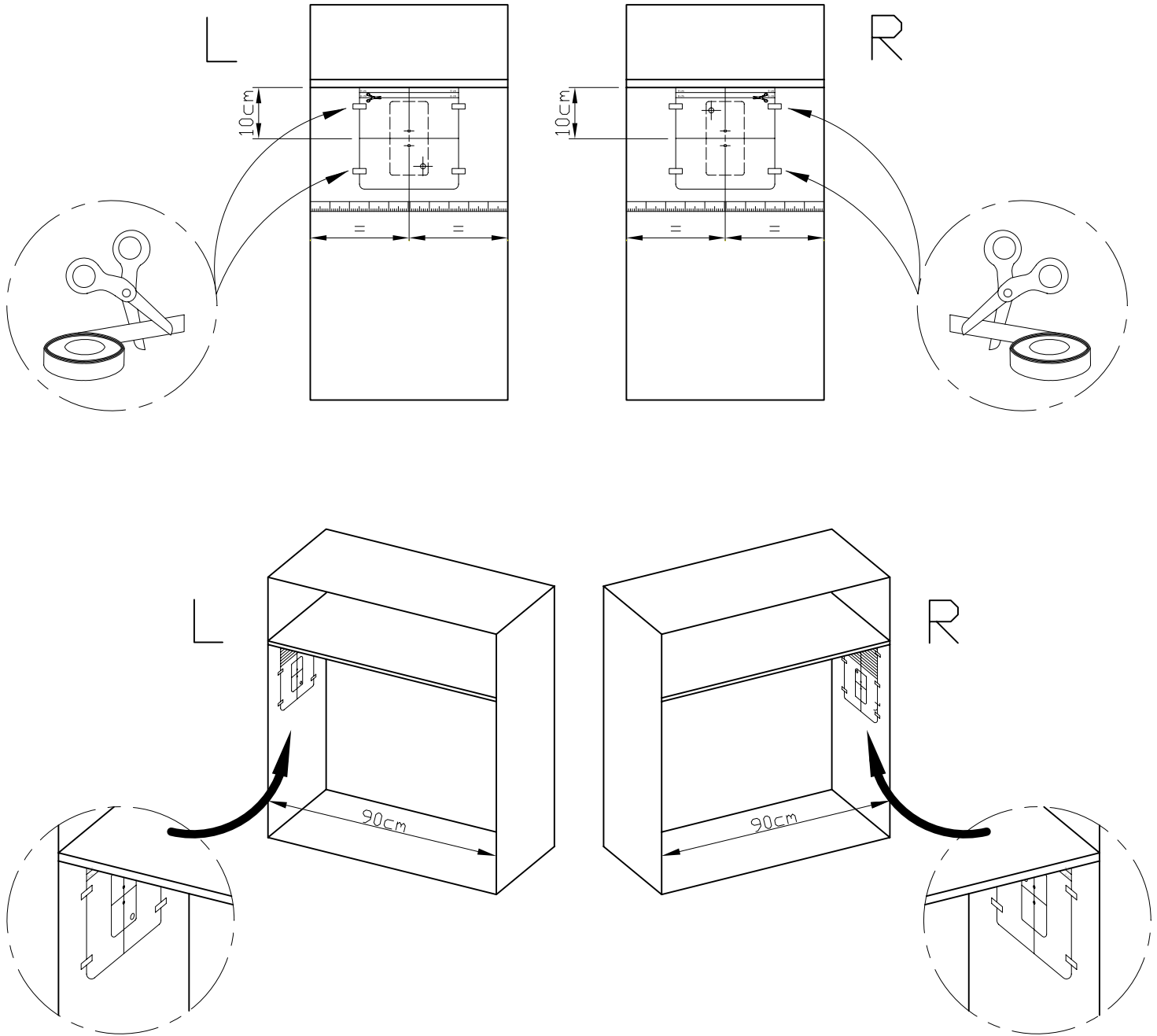
③



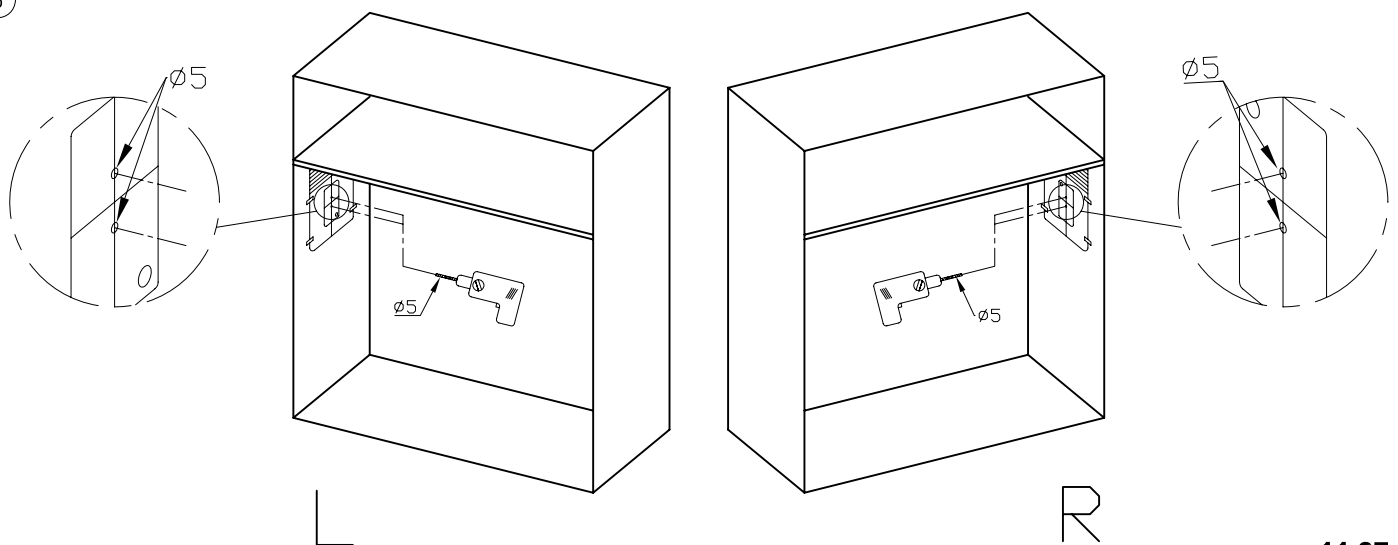
④

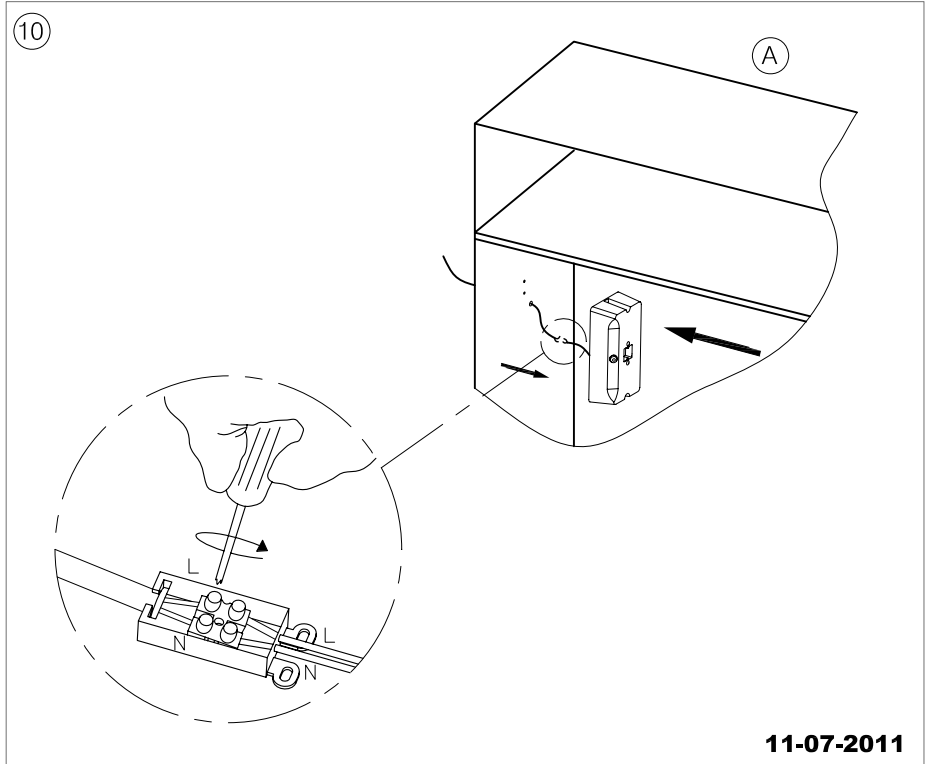
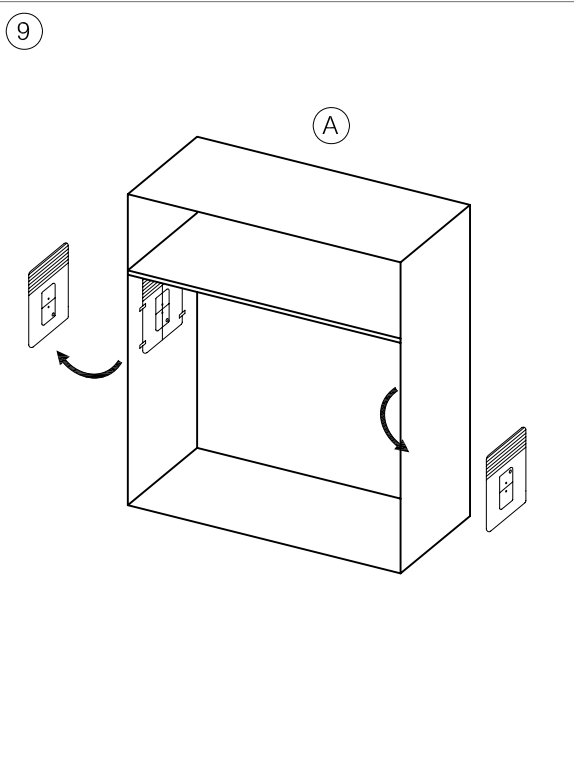
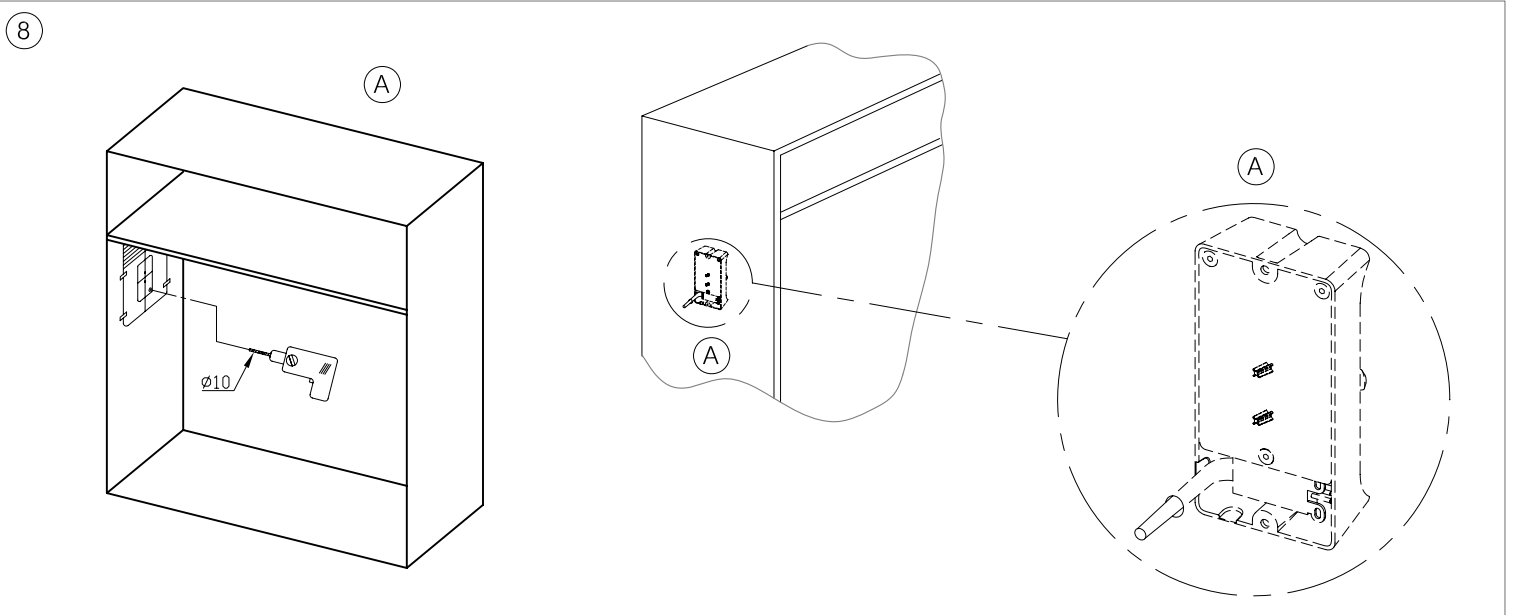
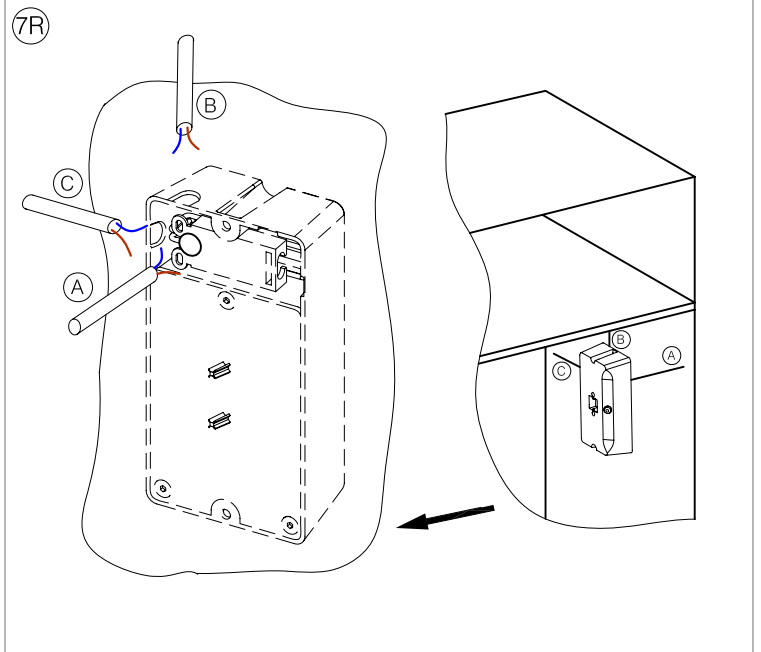
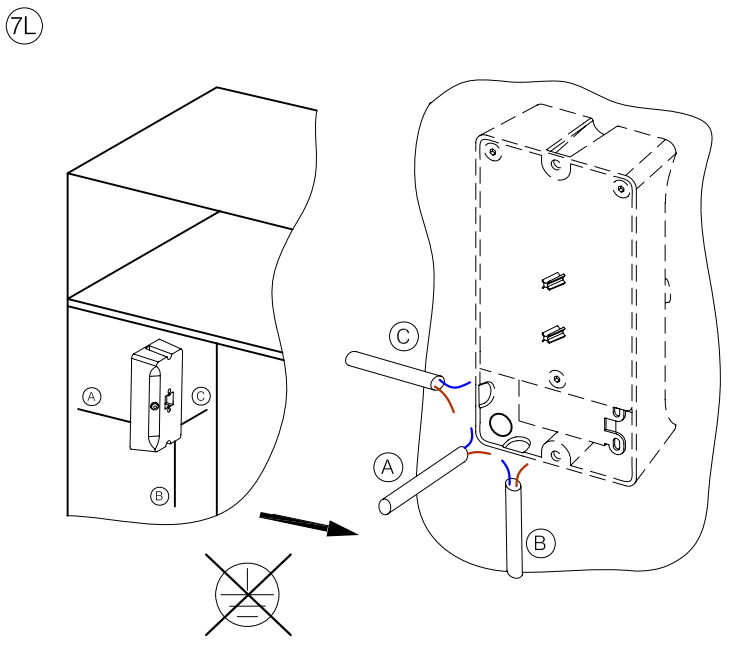


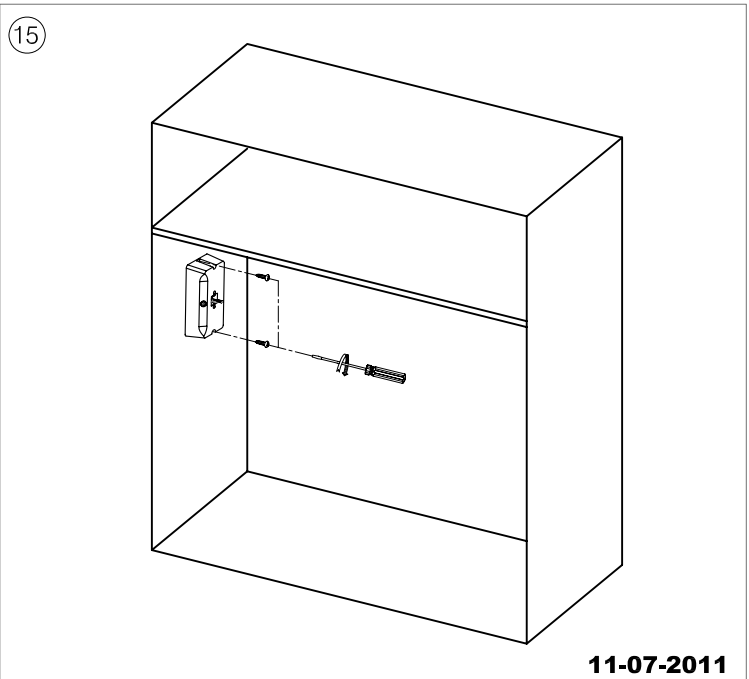
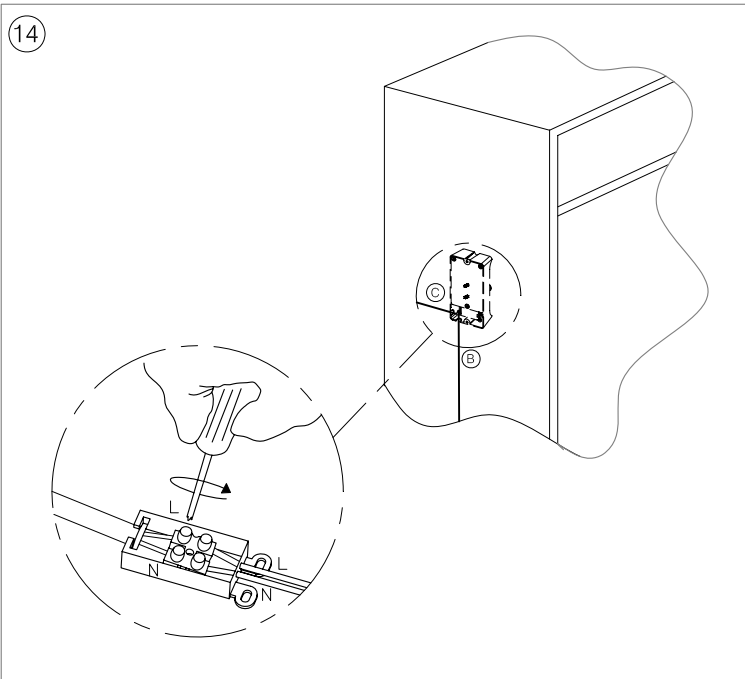
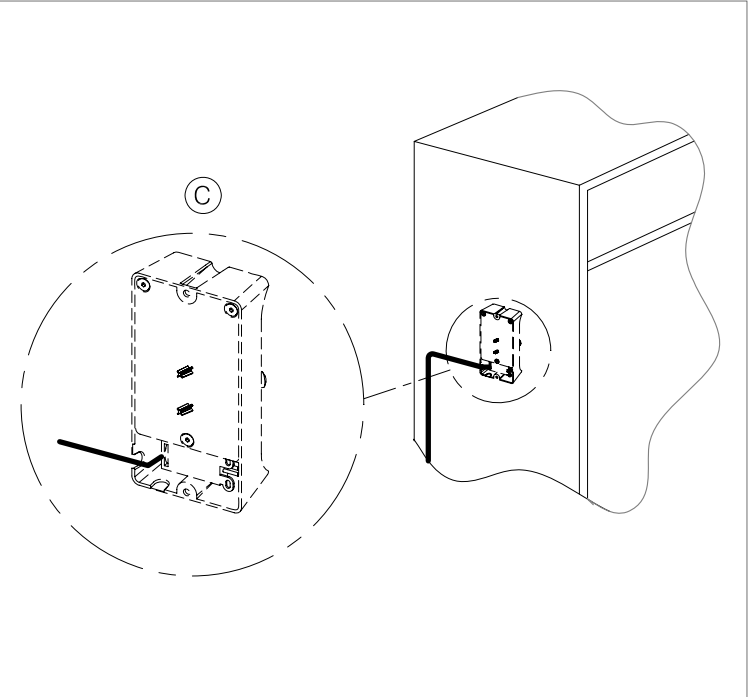
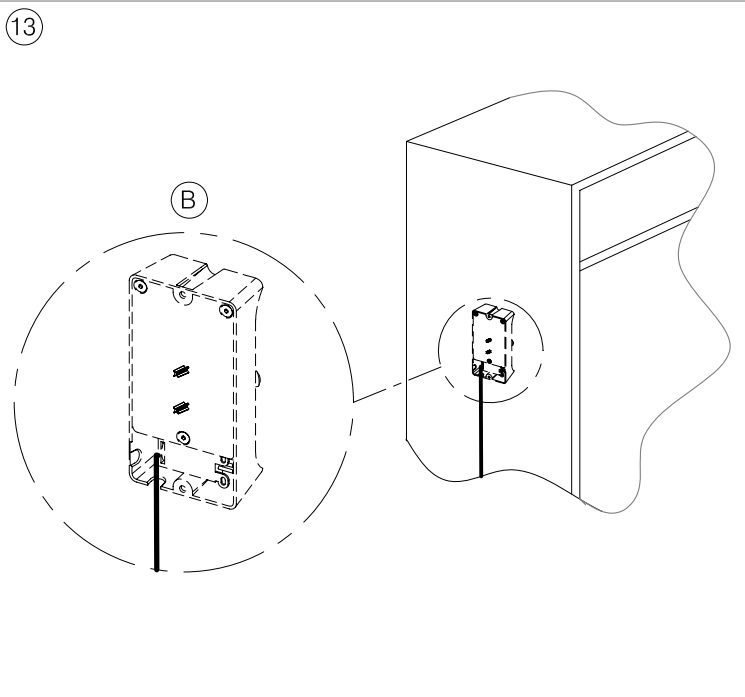
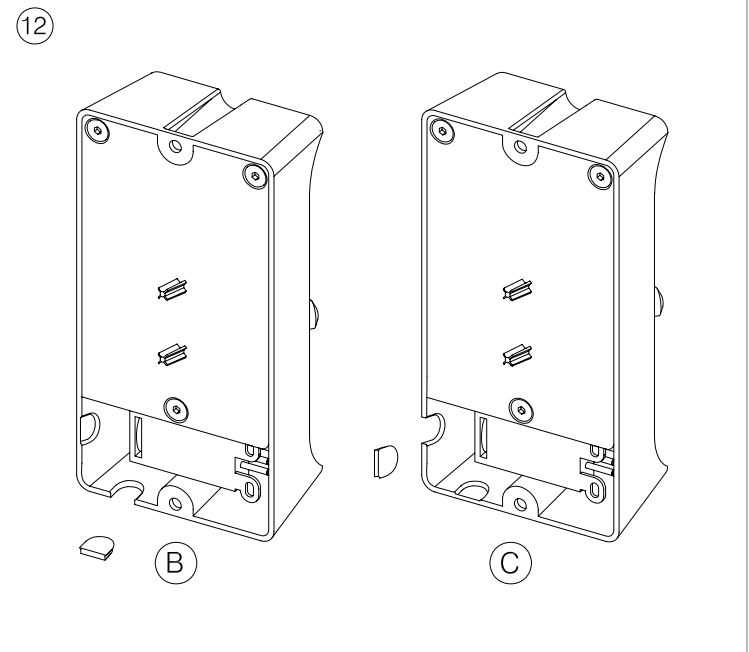
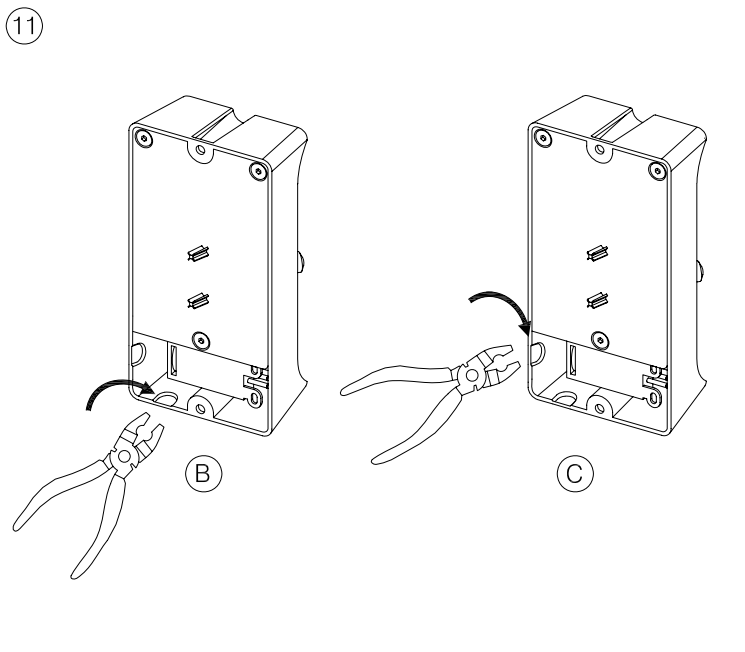
5



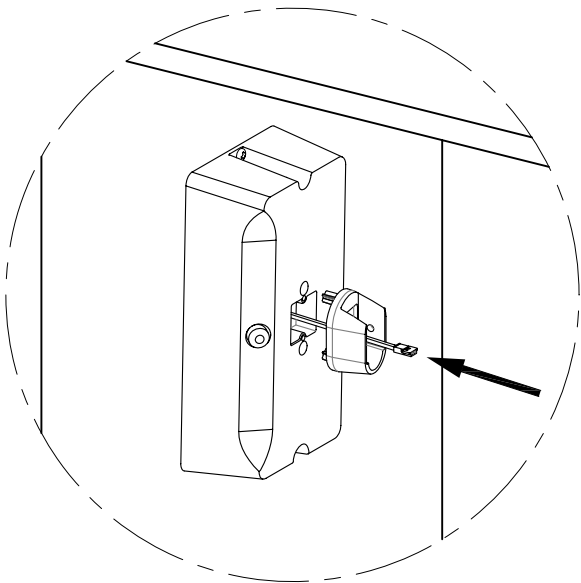
6



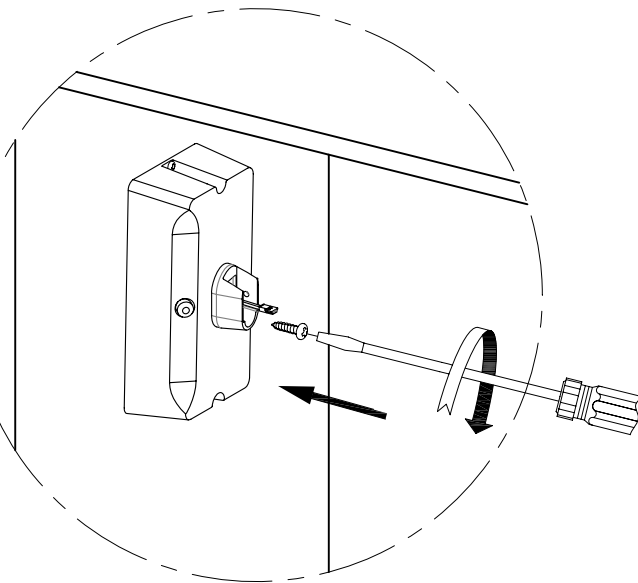




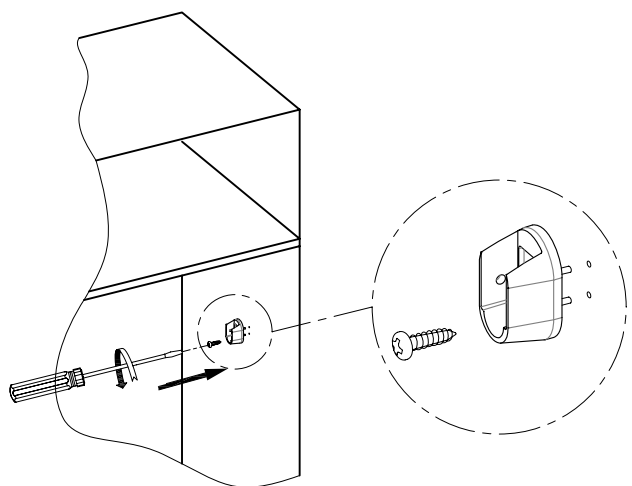
16



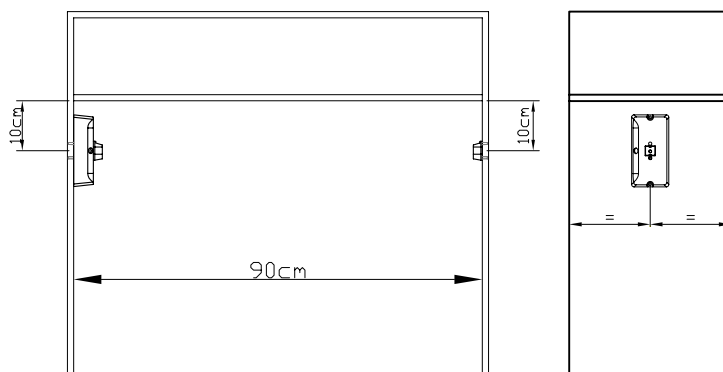
17



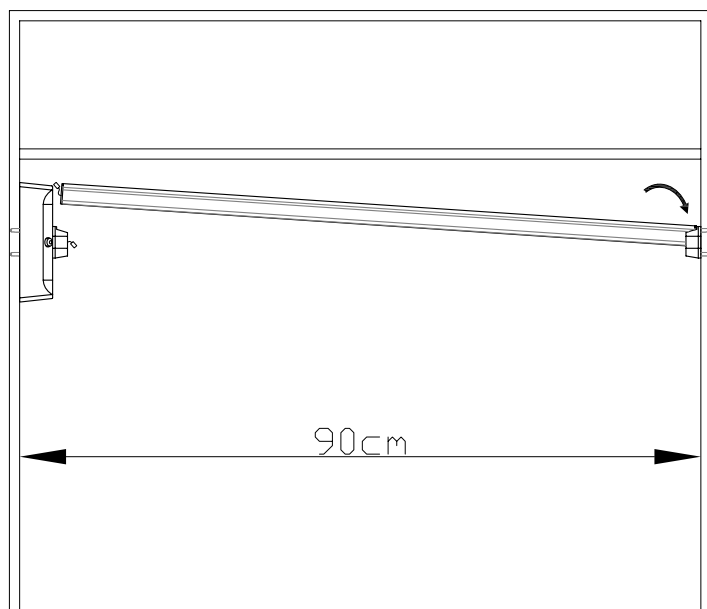
18



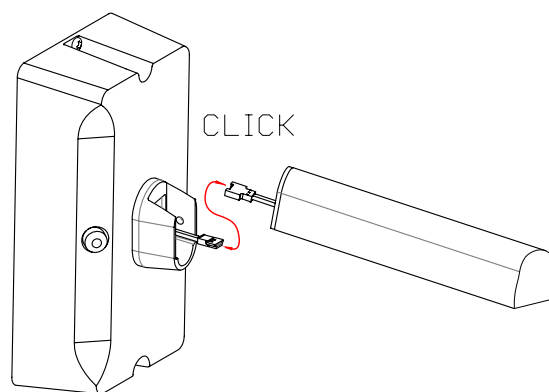
19



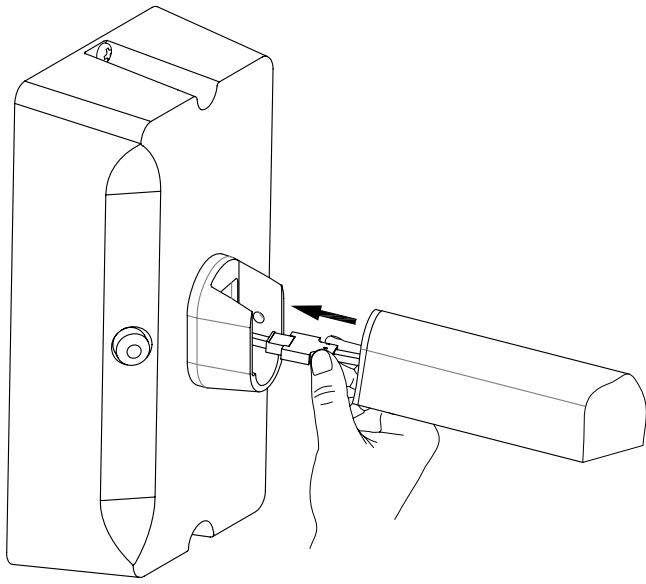
20



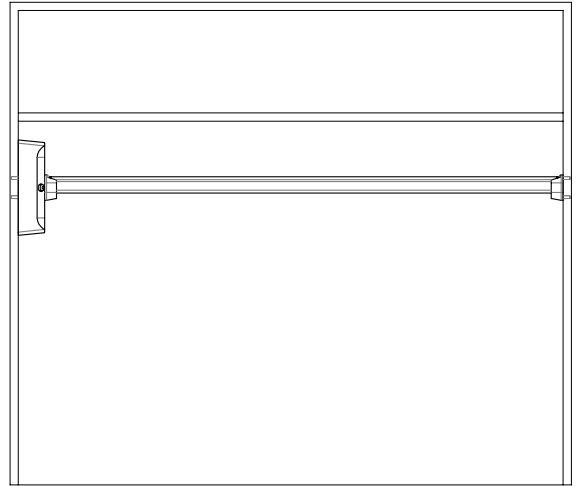
21



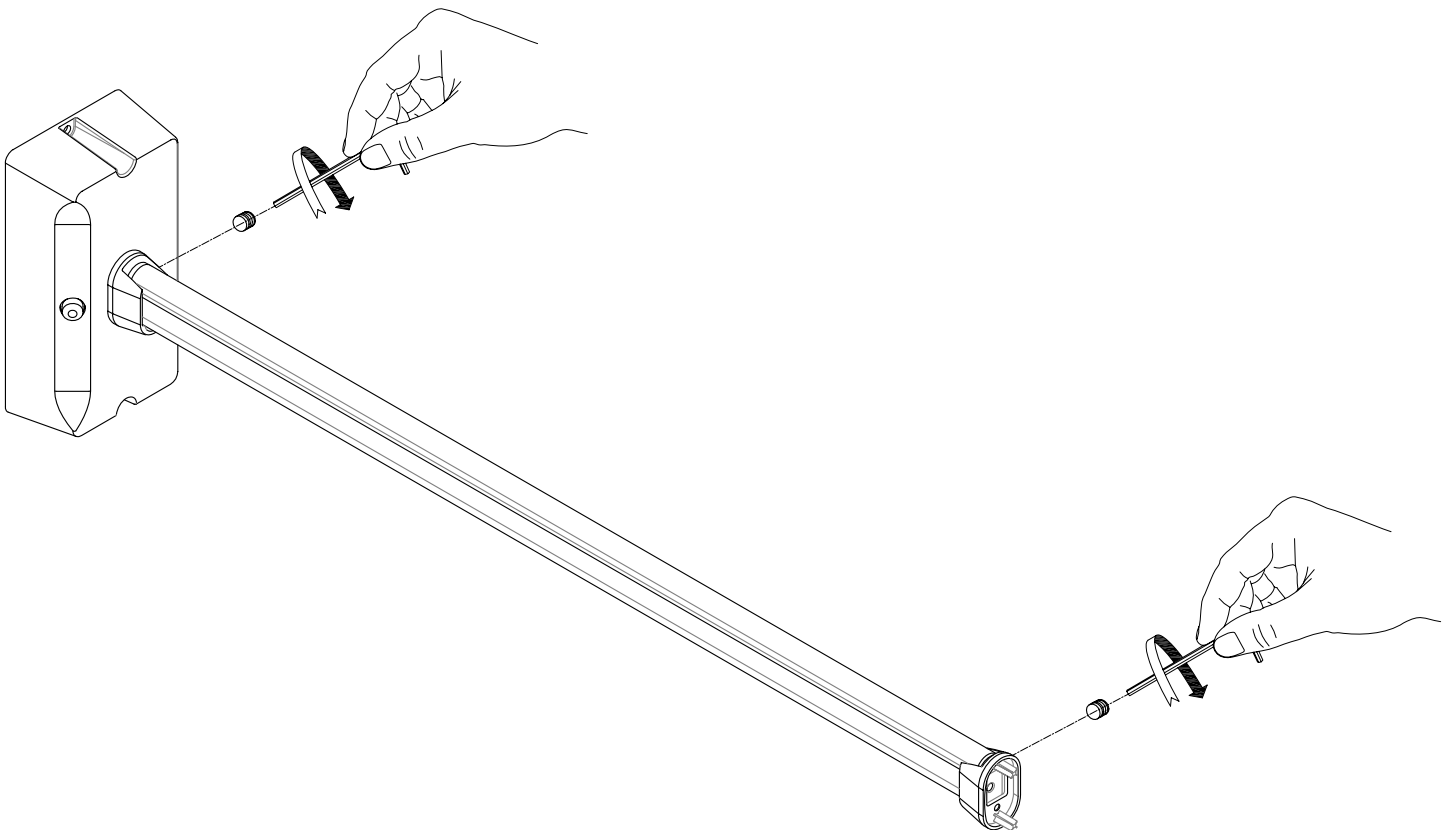
22



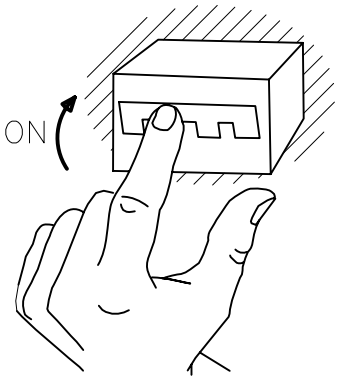
23



24

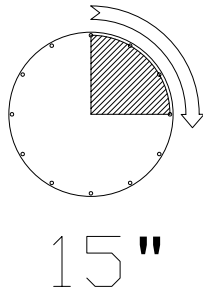


25A



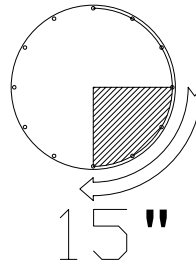
25B

OFF



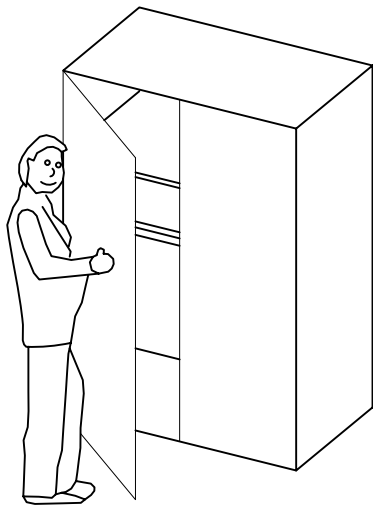
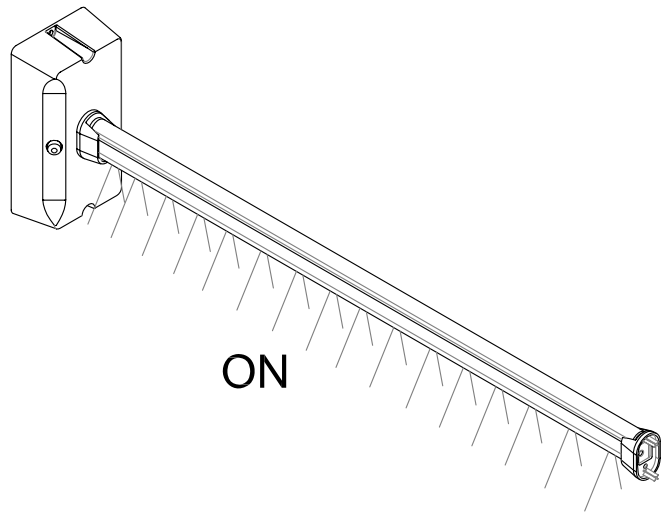
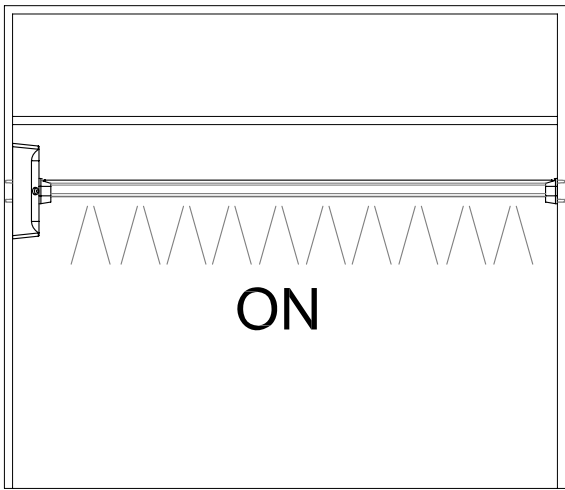
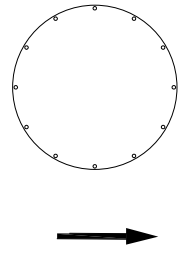
25C

ON

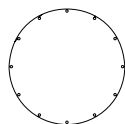


25D

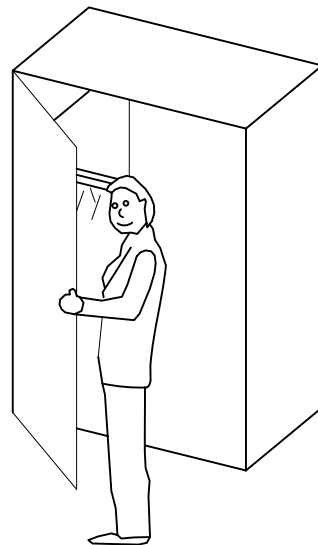
OFF



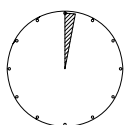
OFF



NO



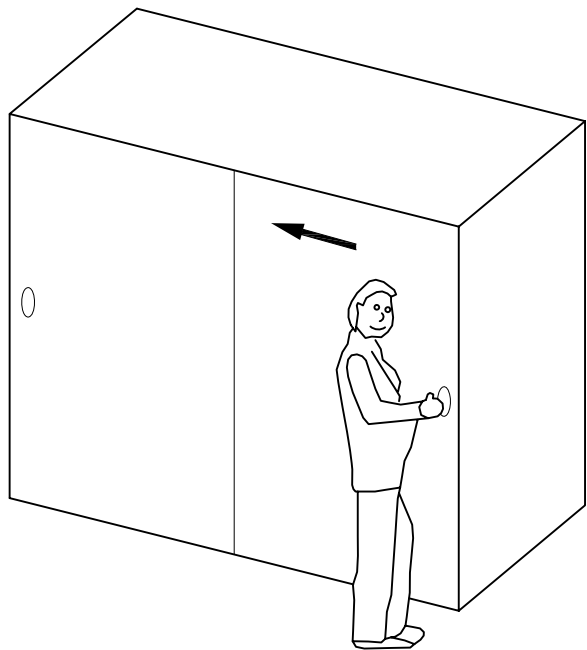
ON



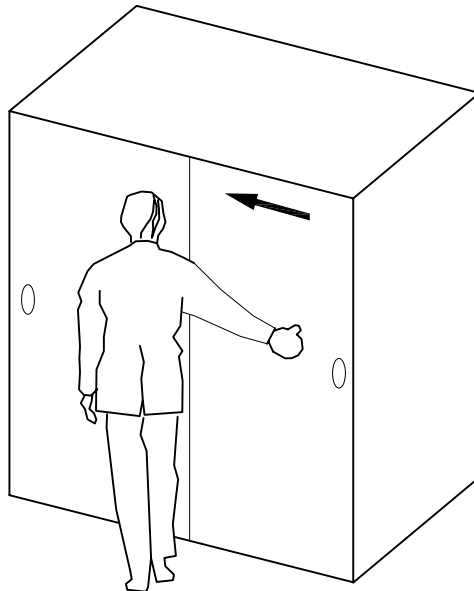
1'

OK

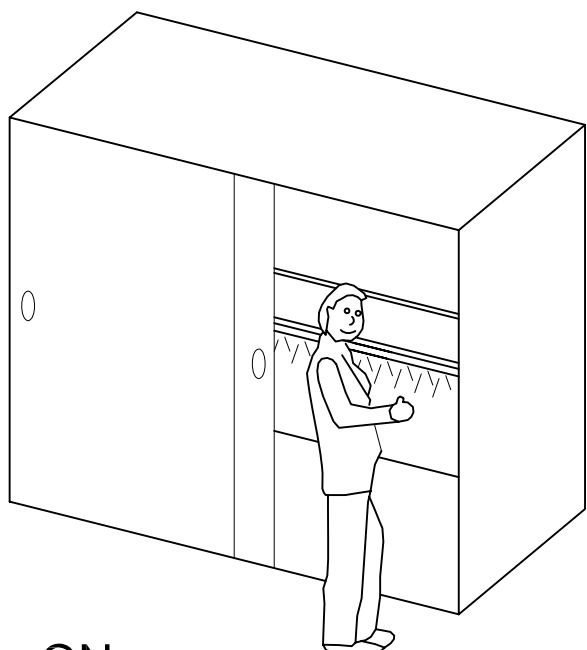
OK



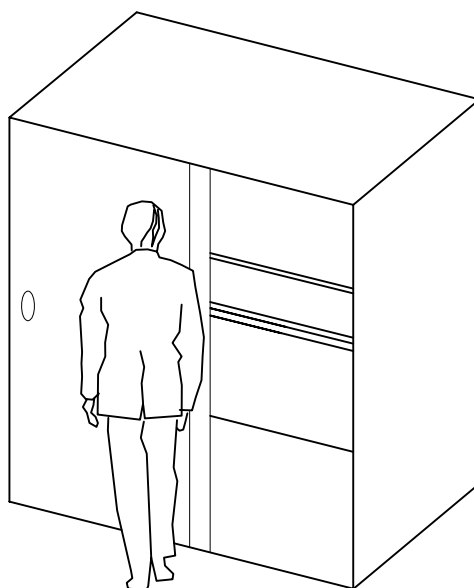
NO OK



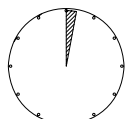
OK



NO OK



ON



1'

OFF

