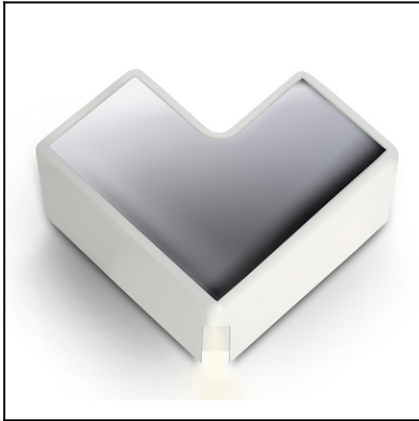
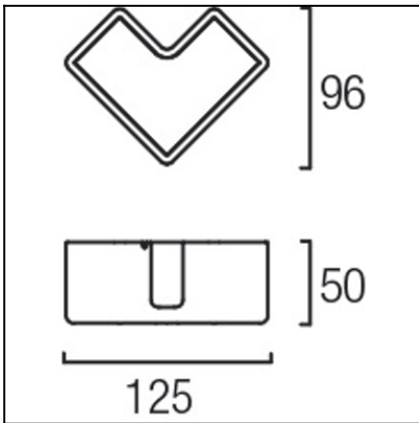
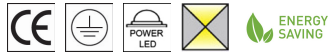


Design by Nahtrang Design


The photograph may not match the reference exactly. Please read the product description to identify the finish.


TECHNICAL CHARACTERISTICS

Type:	Wall fixture
IP Protection degrees:	IP20
Bulb:	2 x LED Samsung. Warm white (<3700 K)
Power (W):	2x4W
Total power consumption (W):	8
Luminous efficacy (Lm/W):	45
LED lifetime (h):	35000
Voltage / Frequency:	220-240V/50-60Hz
Possibilitat extensió garantia:	Sí, 5 anys
Units per box:	10
Net Weight (Kg):	0.425
EAN:	8435111091548


MATERIALS / FINISHES

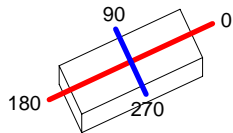
Structure material: Aluminium Steel	Diffuser material: Methacrylate
Structure finish: Matt white Chrome	Diffuser finish: Transparent

Download photometric file .ldt /.ies

Luminaire		Measur.		Lamp		
Code	05-4720-BW-BW	Code	05-0047-BW-BW	Code	05-0047-BW-BW	
Name	Aplique LOW leds 2x4W	Name	Aplique leds LOW 2x4W	Number	1	
Line	- LEDS C4 LEDS	Date	18-03-2013	Position	Universal	
Efficiency	100.00%	Coordinate system	CG	Total Flux	400.23 lm	
Maximum value	106.66 cd	Position	C=90.00 G=10.00	Asymmetrical		
Rectangular Luminaire	Length	50 mm	Width	125 mm	Height	96 mm
Rectangular Luminous Area	Length	25 mm	Width	30 mm	Height	96 mm
Horizontal Luminous Area	0.000750 m2	Emitting area on Plane 180°		0.002400 m2		
Emitting area on Plane 0°	0.002400 m2	Emitting area on Plane 270°		0.002880 m2		
Emitting area on Plane 90°	0.002880 m2	Glare area at 76°		0.002510 m2		
Symmetry Type	Asymmetrical	Maximum Gamma Angle		180		
Measurement Distance	6.44	Measurement Flux		400.23 lm		
Operator	Asselum T2	Source voltage		230.00 V		
Temperature	20.00 °C	Source current		PRC		
Humidity	48.00 %	Photocell				
Notes						

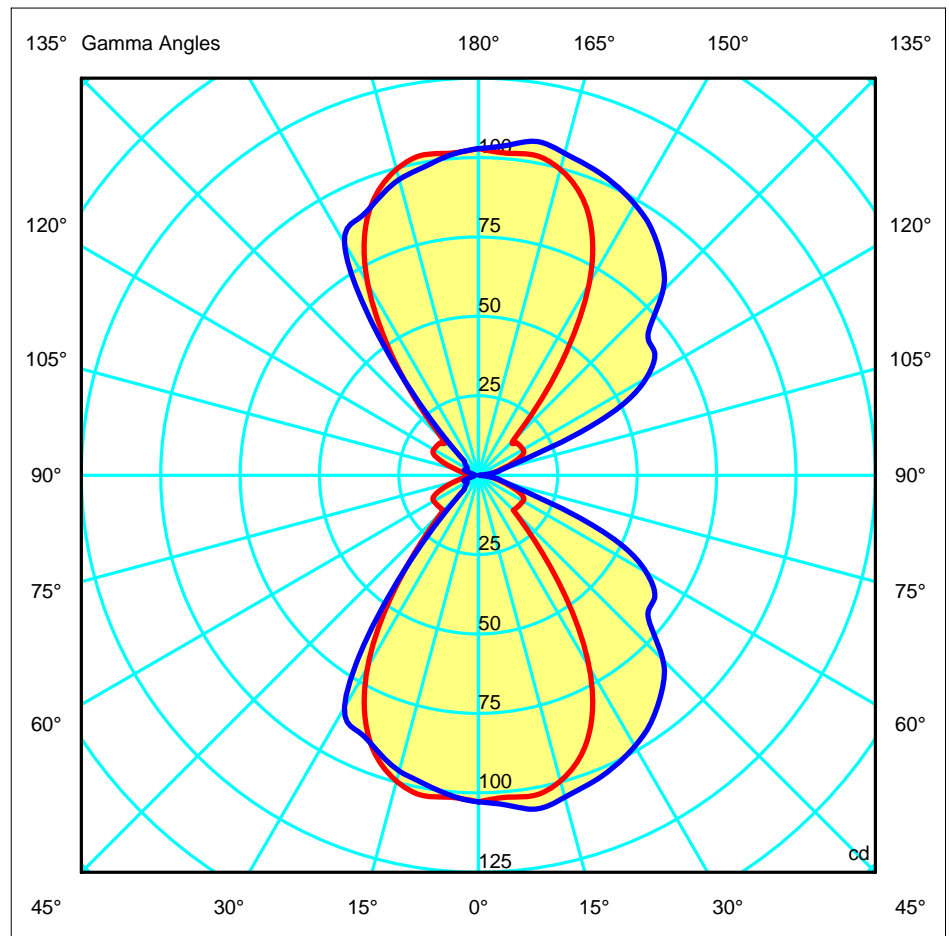
Luminaire Lamps						
Line	Code	Name	Flux [lm]	Pow. [W]	Q.ty	
- LEDS C4 LEDS	05-0047-BW-BW	Lámpara led blanco cálido 8W	400.23	8.00	1	
C.I.E.	62 83 95 50 100	D DIN 5040	C51			
F UTE	0.50 C + 0.50 T	B NBN	BZ 3 / 4 / BZ 4			

50mm x 125mm

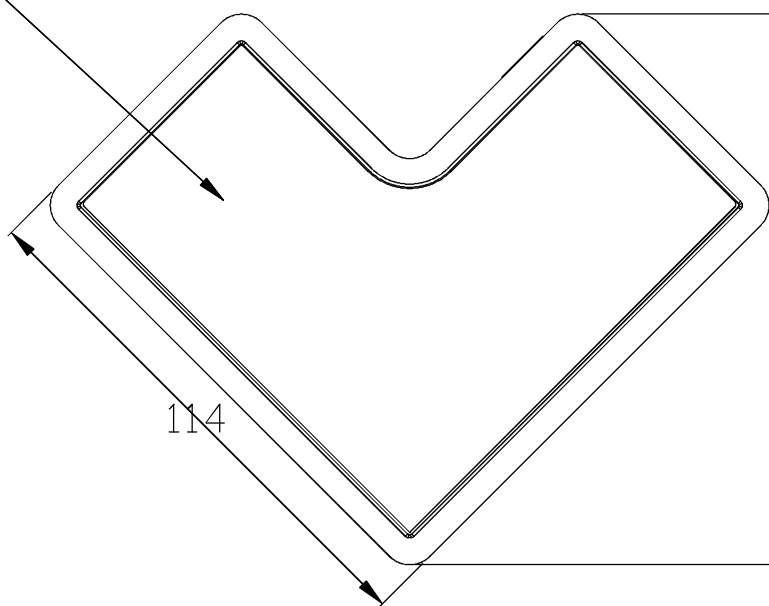


C Halfplanes
 180.0 — 0.0
 270.0 — 90.0

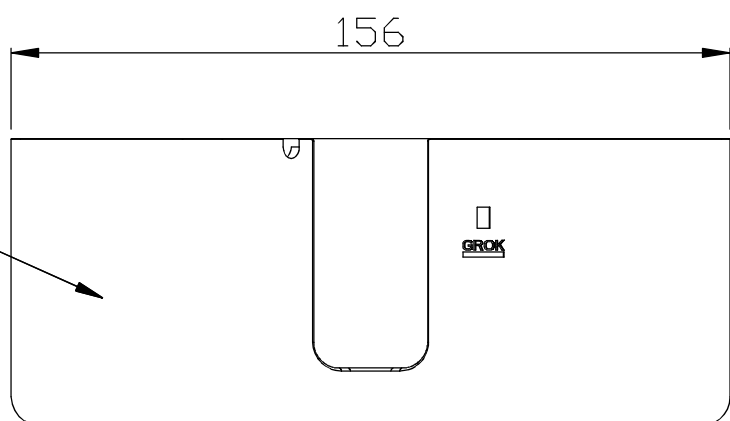
ULOR 50.00 %
 DLOR 50.00 %
 RN 50.00 %



steel (matt white/chrome) /
acero (mate blanco/cromado)



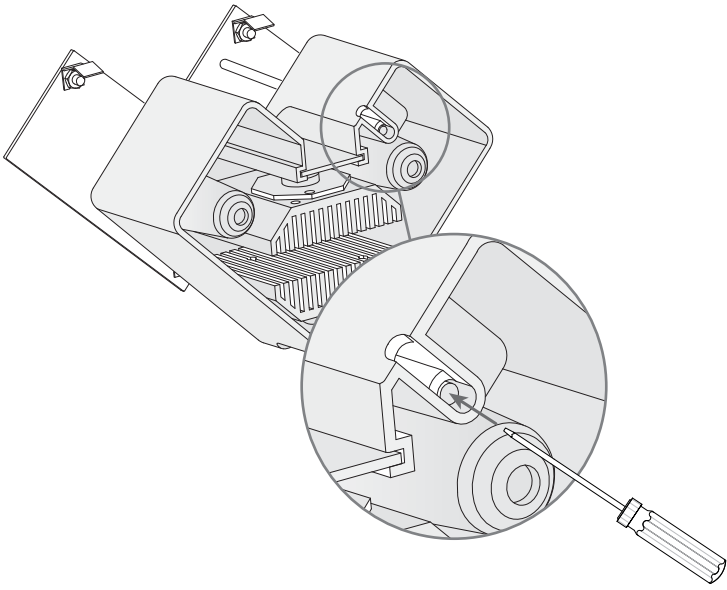
Aluminum
(matt white) /
Aluminio
(mate blanco)



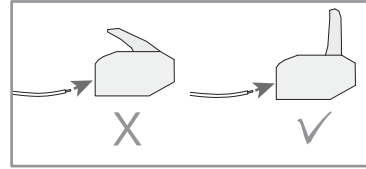
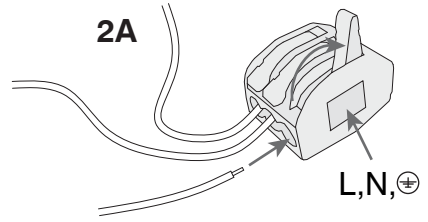
acrylic (transparent) /
acrílico (transparente)



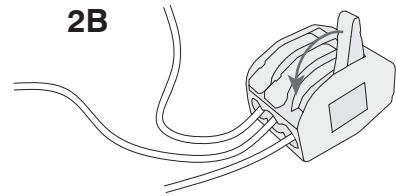
1



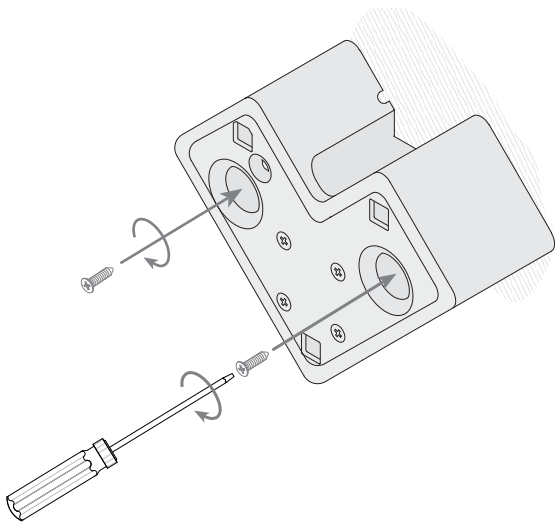
2



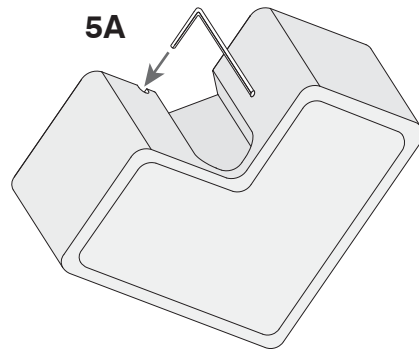
2B



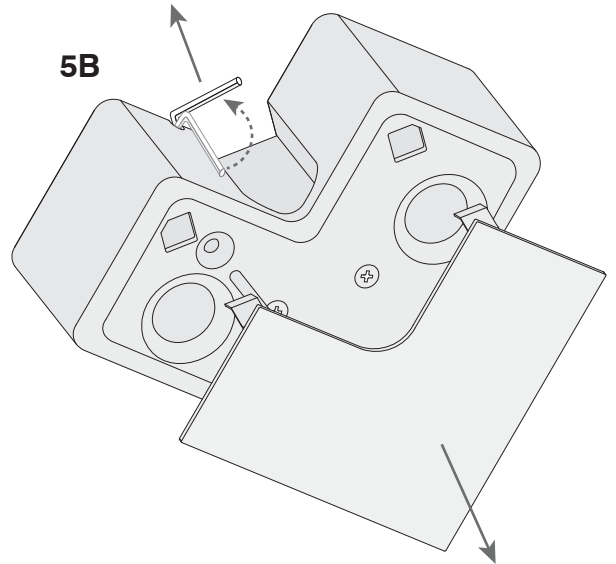
3



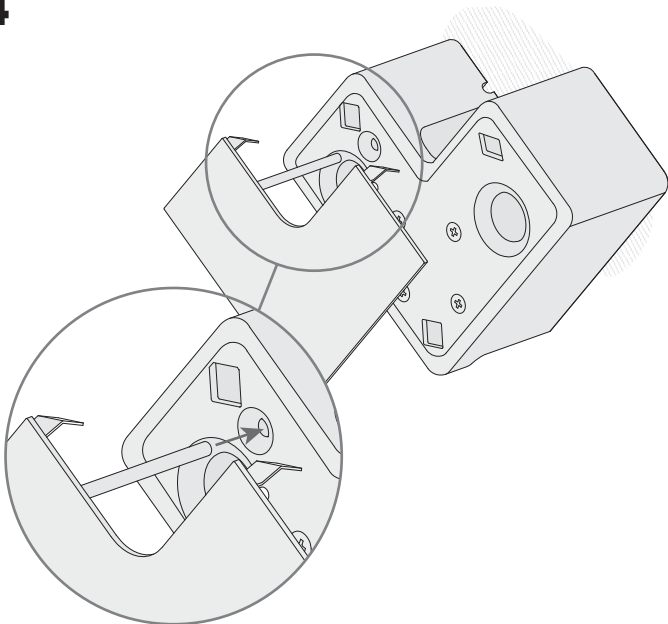
5



5B



4



6

