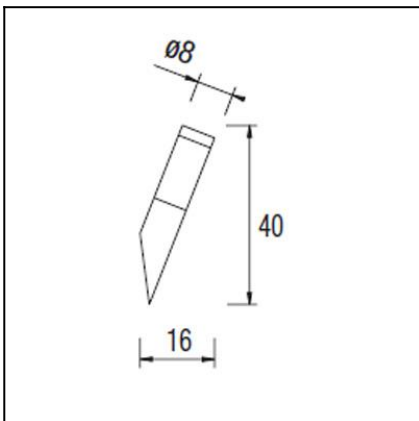




The photograph may not match the reference exactly. Please read the product description to identify the finish.



Download photometric file .ldt /.ies

### TECHNICAL CHARACTERISTICS

Type:	Wall fixture
IP Protection degrees:	IP55
Lampholder:	1 x E27
Power (W):	E27 MAX 23W
Total power consumption (W):	23
Voltage / Frequency:	230V/50-60Hz
Units per box:	6
Net Weight (Kg):	0.495
EAN:	8435071401739



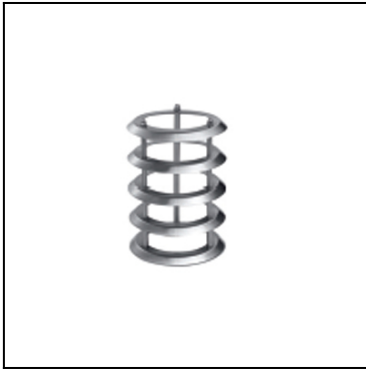
### MATERIALS / FINISHES

**Structure material:** Stainless steel  
AISI202

**Diffuser material:** Polycarbonate

**Diffuser finish:** Opal

55-8791-Y4-Y4

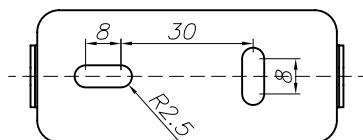
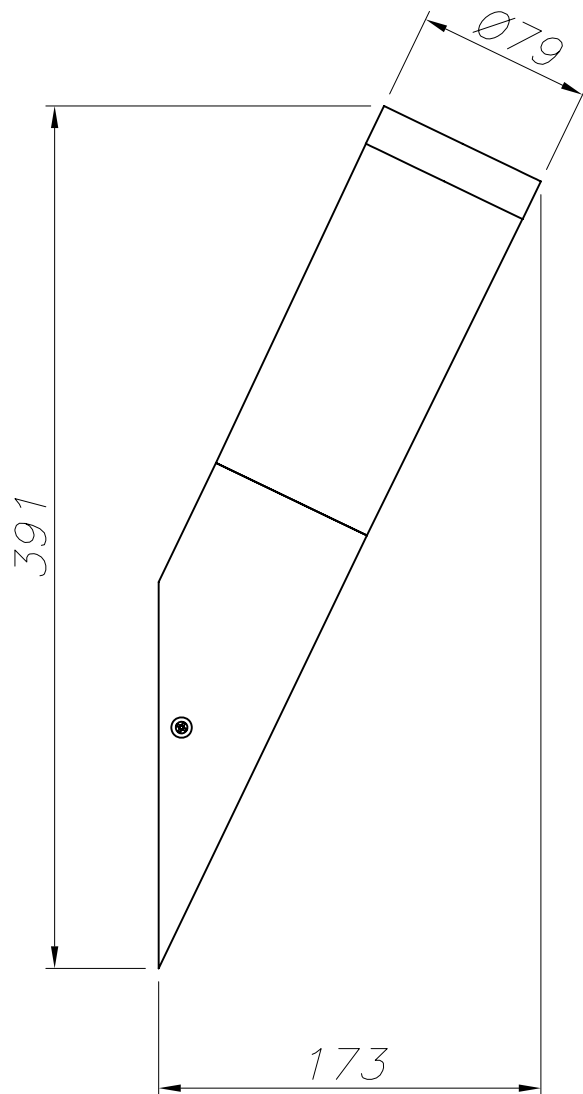
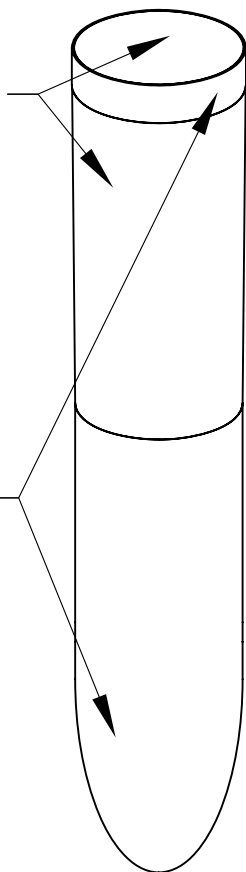


**Structure material:** Stainless steel AISI202



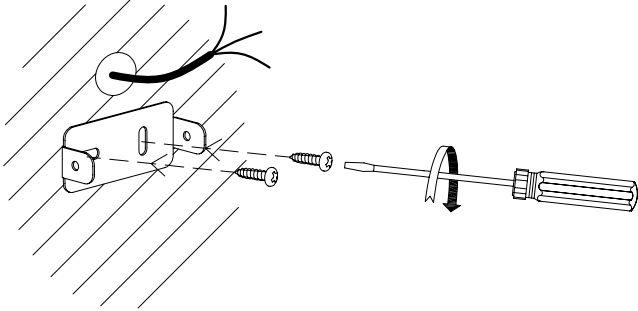
POLICARBONATO OPAL  
OPAL POLYCARBONATE

ACERO INOXIDABLE  
STAINLESS STEEL

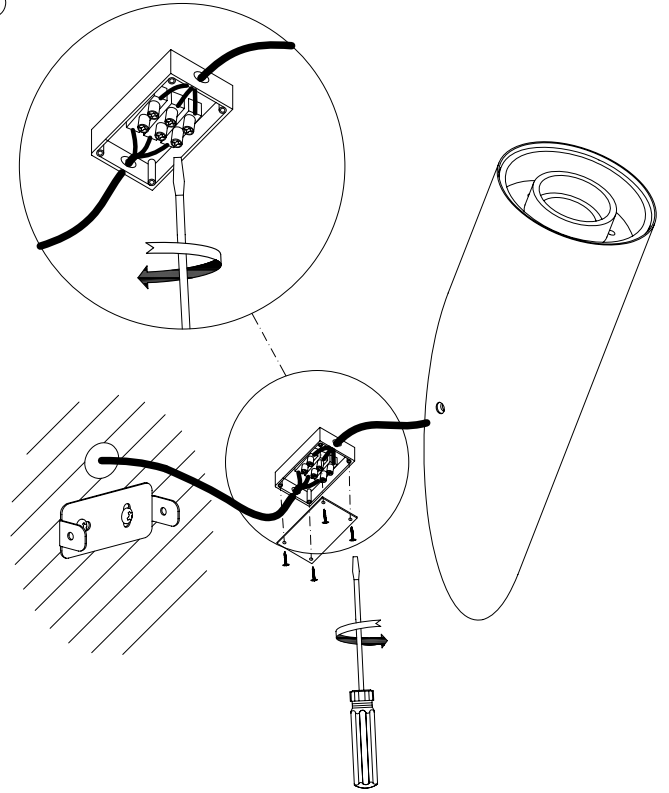


PLANTILLA DE INSTALACIÓN  
INSTALLATION TEMPLATE

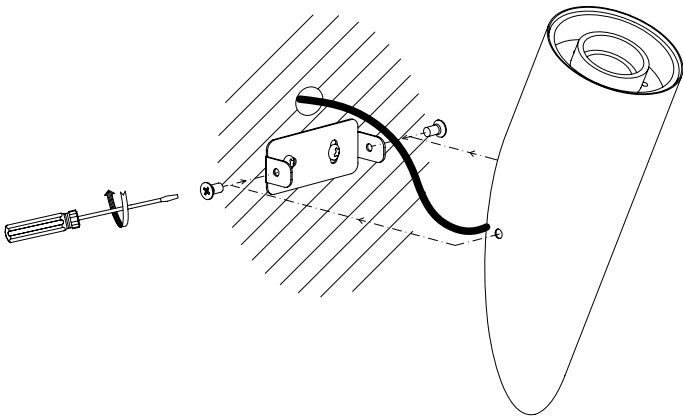
①



②



③



④

