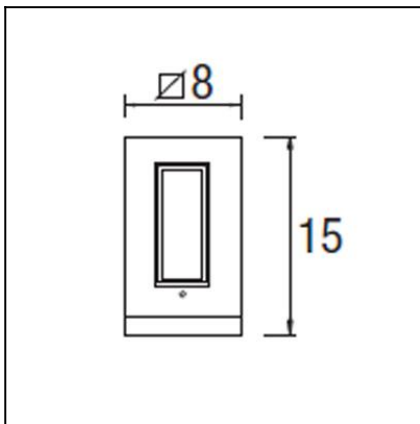


OUT 
FENIX
05-9129-Z5-37


The photograph may not match the reference exactly. Please read the product description to identify the finish.

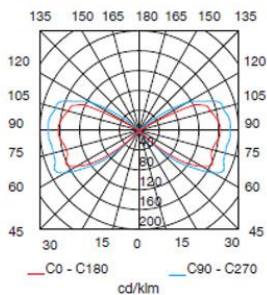

TECHNICAL CHARACTERISTICS

Type:	Wall fixture
IP Protection degrees:	IP54
IK Protection degrees:	IK06
Lampholder:	1 x G9
Power (W):	G9 MAX 60W
Bulb included:	1 x G9 33W
Total power consumption (W):	60
Angle Óptiques:	20°
Voltage / Frequency:	230V/50-60Hz
Warranty (Years):	2
Units per box:	6
Net Weight (Kg):	1.29
EAN:	8435111035337,00


MATERIALS / FINISHES
Structure material: Injected aluminium

Diffuser material: Glass
Glass

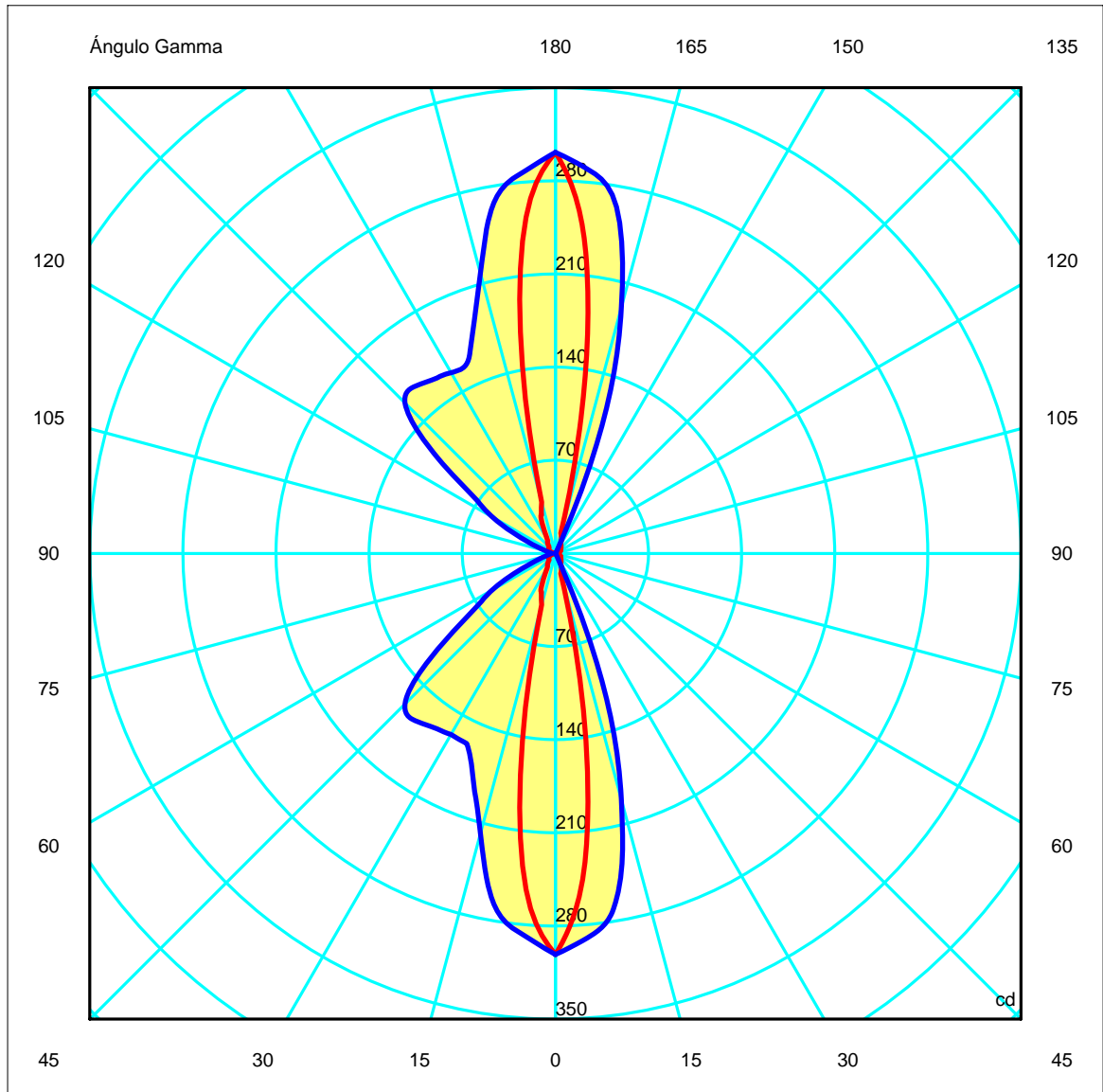
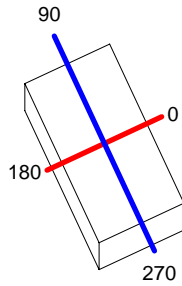
Structure finish: Urban grey

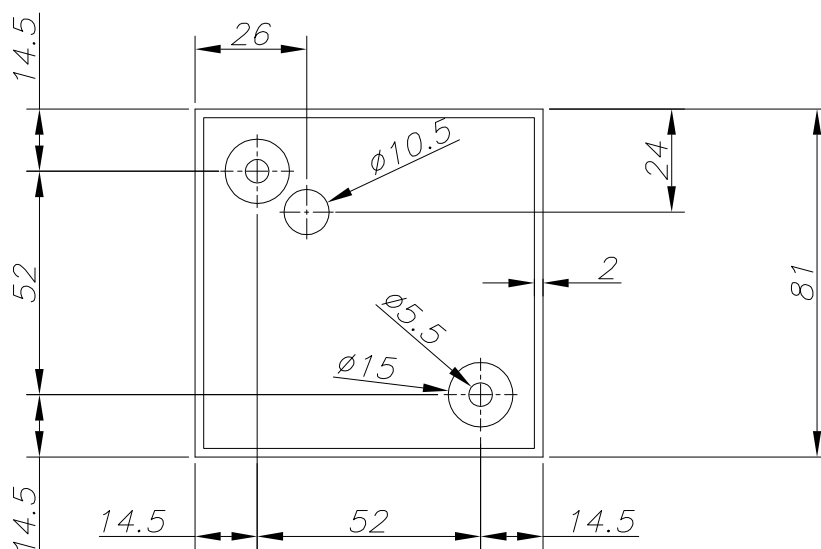
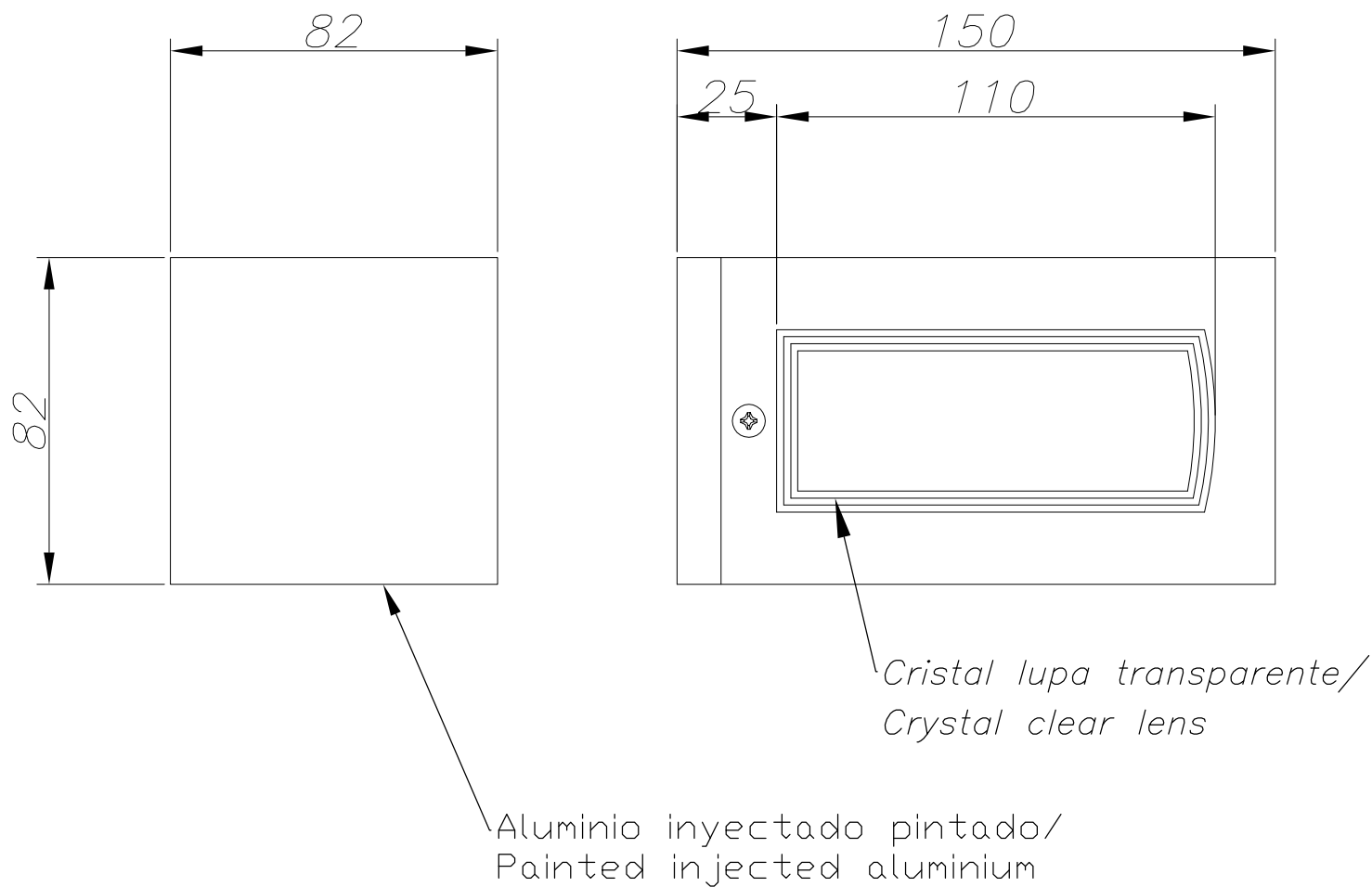
Diffuser finish: Transparent
Lenticular

[Download photometric file .ldt /.ies](#)

Luminaria		Ensayo		Lámpara	
Código	05-9129-34-37	Código	05-9129-34-37	Código	66660
Nombre	Apliche FENIX Hal. 60W G9 conc	Nombre	Apliche Fenix Halopin 60W G9	Número	1
Familia	- LEDS-C4	Fecha	25-08-2009	Posición	Universal
Eficiencia	30.44%	Sist. de Coorden.	C-G	Flujo Total	820.00 lm
Valor Máximo	301.44 cd	Posición	C=0.00 G=0.00		Asimétrico

150mm x 80mm

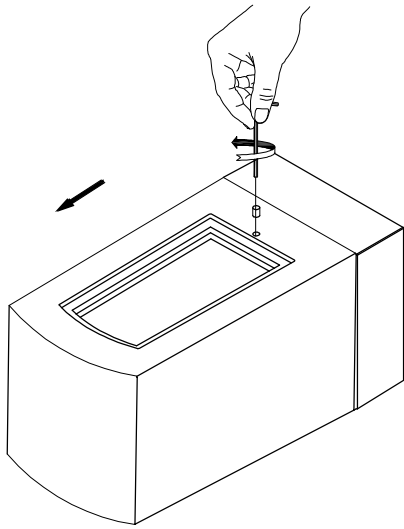
Semiplanos C





PLANTILLA DE INSTALACIÓN
INSTALLATION TEMPLATE

①



②

