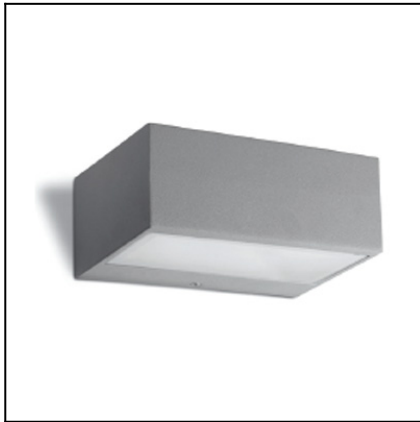


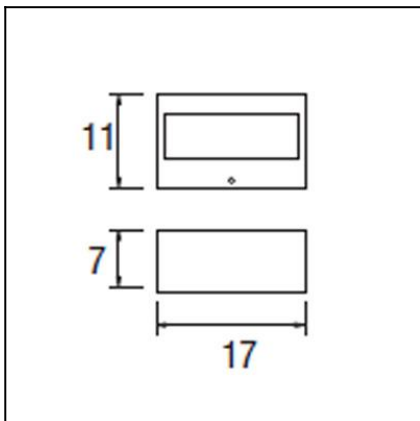
OUT 

NEMESIS

05-9177-Z5-B8



The photograph may not match the reference exactly. Please read the product description to identify the finish.



TECHNICAL CHARACTERISTICS

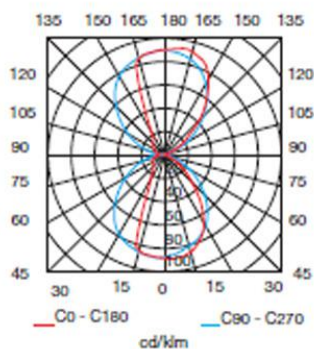
Type:	Wall fixture
IP Protection degrees:	IP44
IK Protection degrees:	IK06
Lampholder:	1 x R7s
Power (W):	R7s MAX 100W
Total power consumption (W):	100
Voltage / Frequency:	230V/50-60Hz
Warranty (Years):	2
Units per box:	8
Net Weight (Kg):	0.675
EAN:	8435111044179,00



MATERIALS / FINISHES

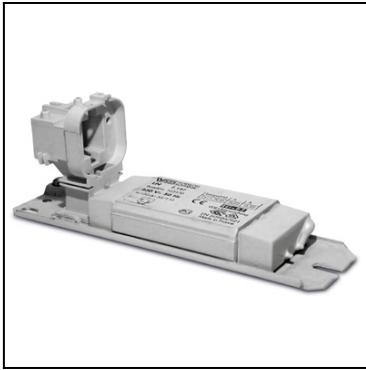
Structure material: Injected aluminium
Structure finish: Urban grey

Diffuser material: Glass
Diffuser finish: Sandblasted



Download photometric file .ldt / .ies

71-8969-00-00

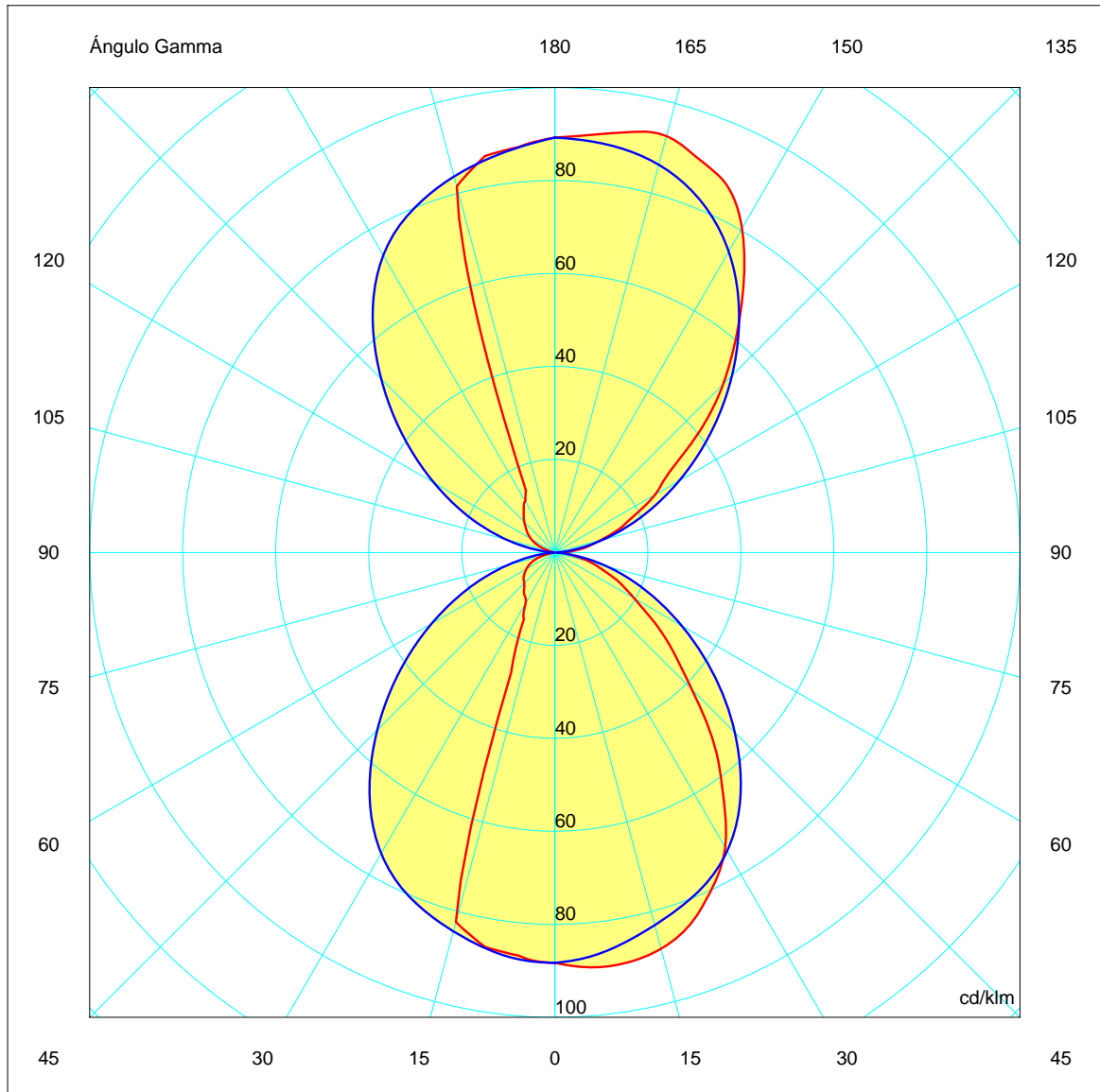
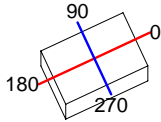


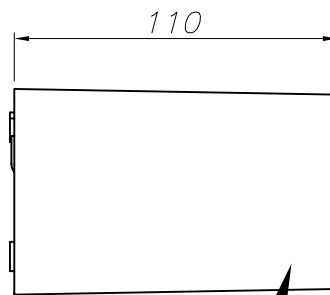
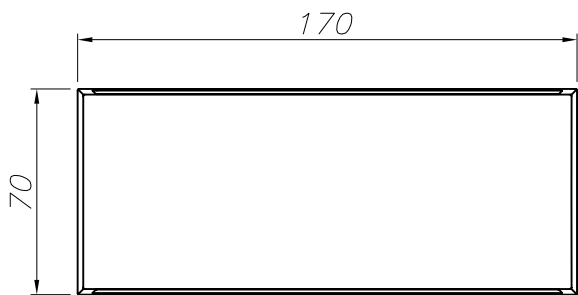
Luminaria		Ensayo		Lámpara	
Código	05-9177-34-B8	Código	05-9177-34-B8	Código	100T3 Q/CL/CP 230V
Nombre	Aplicador dir/ind 100W halog R7s	Nombre	Aplicador 100W halogena R7s	Número	1
Familia	- LEDS-C4	Fecha	19-11-2008	Posición	Universal
Eficiencia	40.02%	Sist. de Coorden.	C-G	Flujo Total	1600.00 lm
Valor Máximo	92.73 cd/klm	Posición	C=0.00 G=165.00		Asimétrico

110mm x 170mm

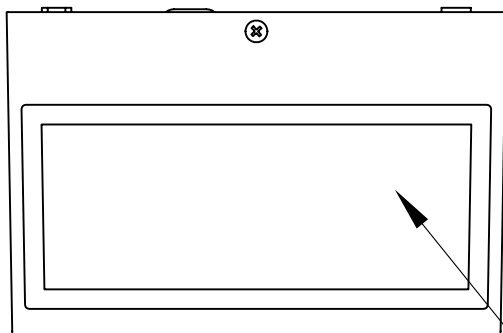
Semiplanos C

180.0 ——— 0.0
 270.0 ——— 90.0

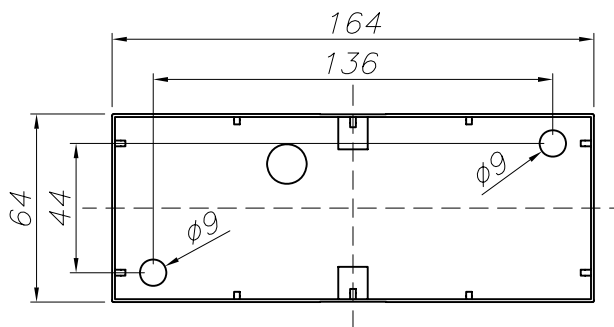




ALUMINIO INYECTADO
INJECTED ALUMINUM

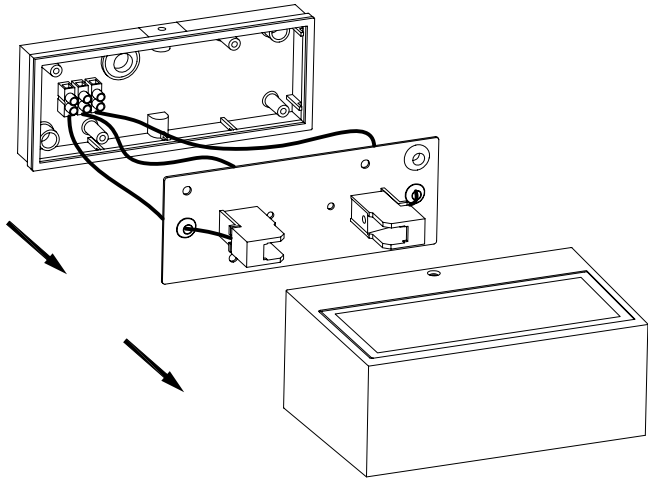


CRISTAL MATE
MATT GLASS

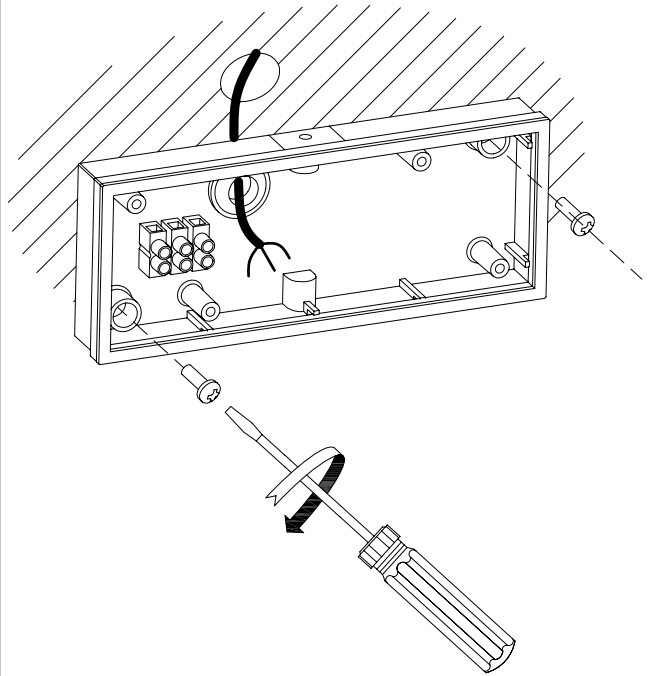


PLANTILLA DE INSTALACIÓN
INSTALLATION TEMPLATE

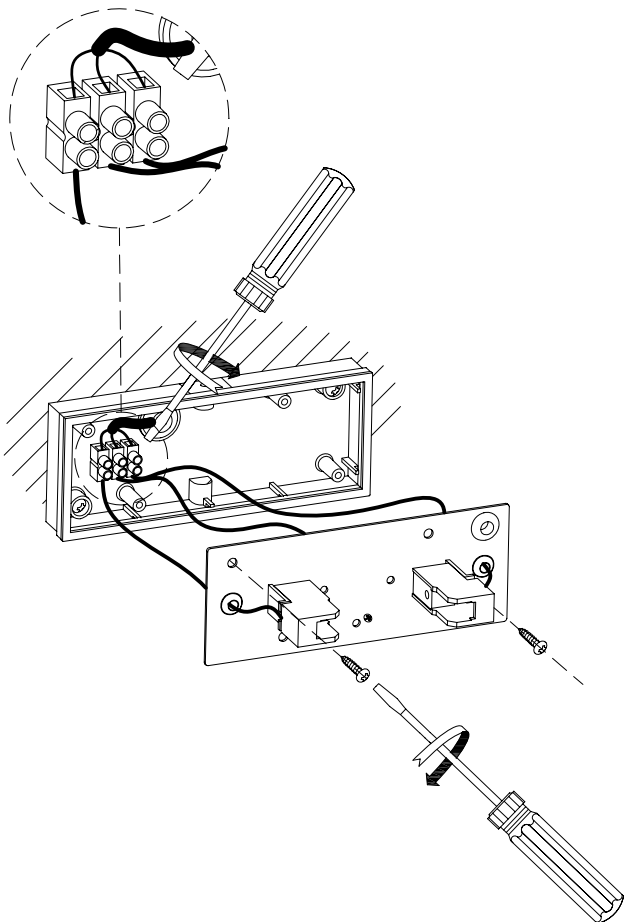
①



②



③



④

