

**OUT** 

# MICENAS

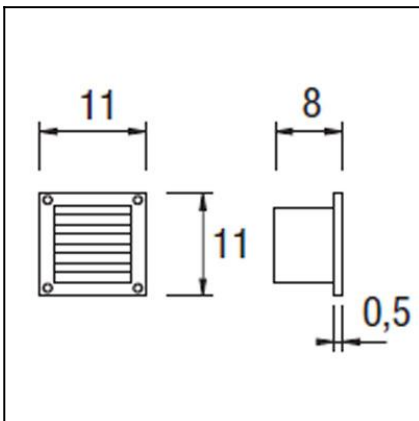
## 05-9182-34-B8



The photograph may not match the reference exactly. Please read the product description to identify the finish.

### TECHNICAL CHARACTERISTICS

Type:	Uplight
IP Protection degrees:	IP65
IK Protection degrees:	IK04
Lampholder:	1 x G9
Power (W):	G9 MAX 40W
Bulb included:	1 x G9 33W
Total power consumption (W):	40
Voltage / Frequency:	230V/50-60Hz
Units per box:	12
Net Weight (Kg):	0.62
EAN:	8435111044537



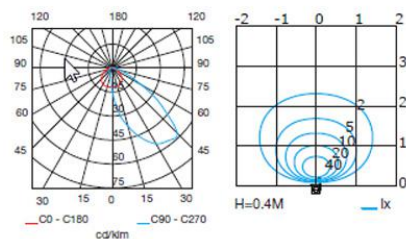
### MATERIALS / FINISHES

**Structure material:** Injected aluminium

**Structure finish:** Grey

**Diffuser material:** Glass

**Diffuser finish:** Matt



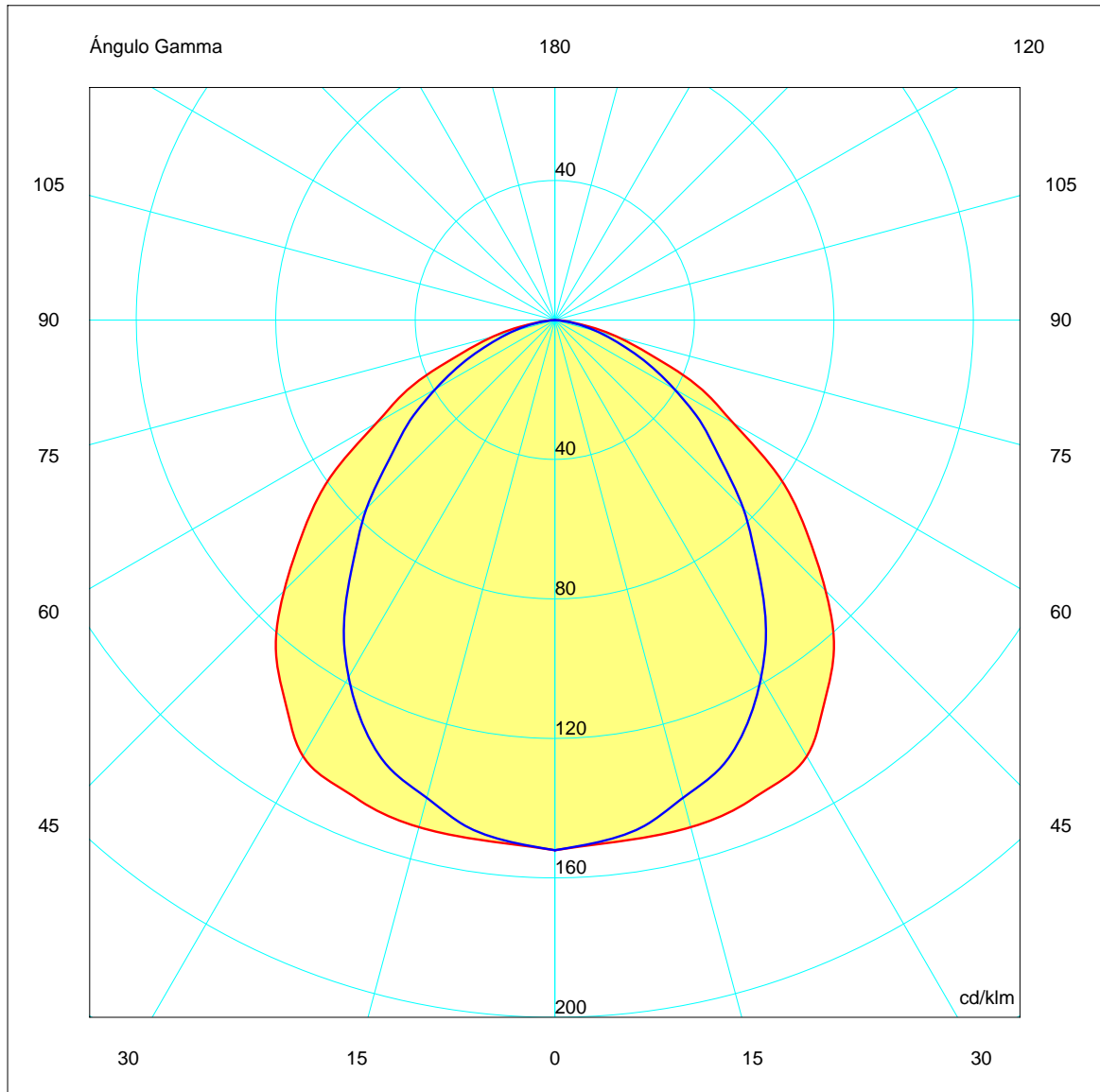
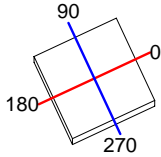
Download photometric file .ldt /.ies

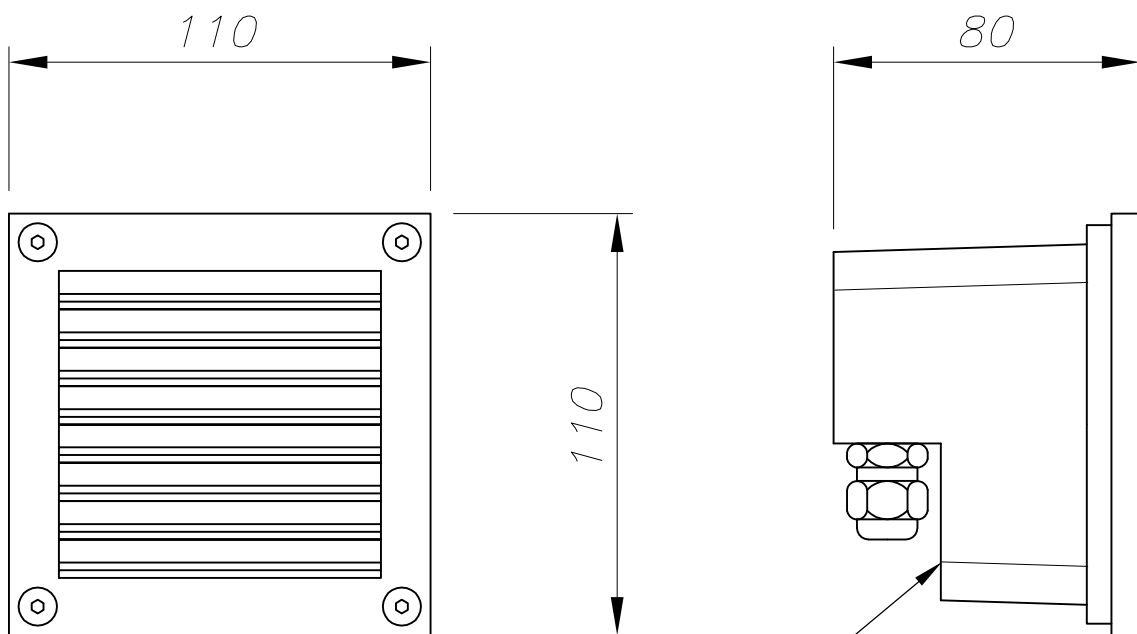
<b>Luminaria</b>		<b>Ensayo</b>		<b>Lámpara</b>	
Código	05-9182-34-B8	Código	05-9182-34-B8	Código	66640
Nombre	Aplicado halogena 40W G9	Nombre	Aplicado halogena 1x40W G9	Número	1
Familia	- LEDS-C4	Fecha	11-11-2008	Posición	Universal
Eficiencia	38.65%	Sist. de Coorden.	C-G	Flujo Total	490.00 lm
Valor Máximo	152.27 cd/klm	Posición	C=45.00 G=5.00		Bisimétrico

110mm x 110mm

Semiplanos C

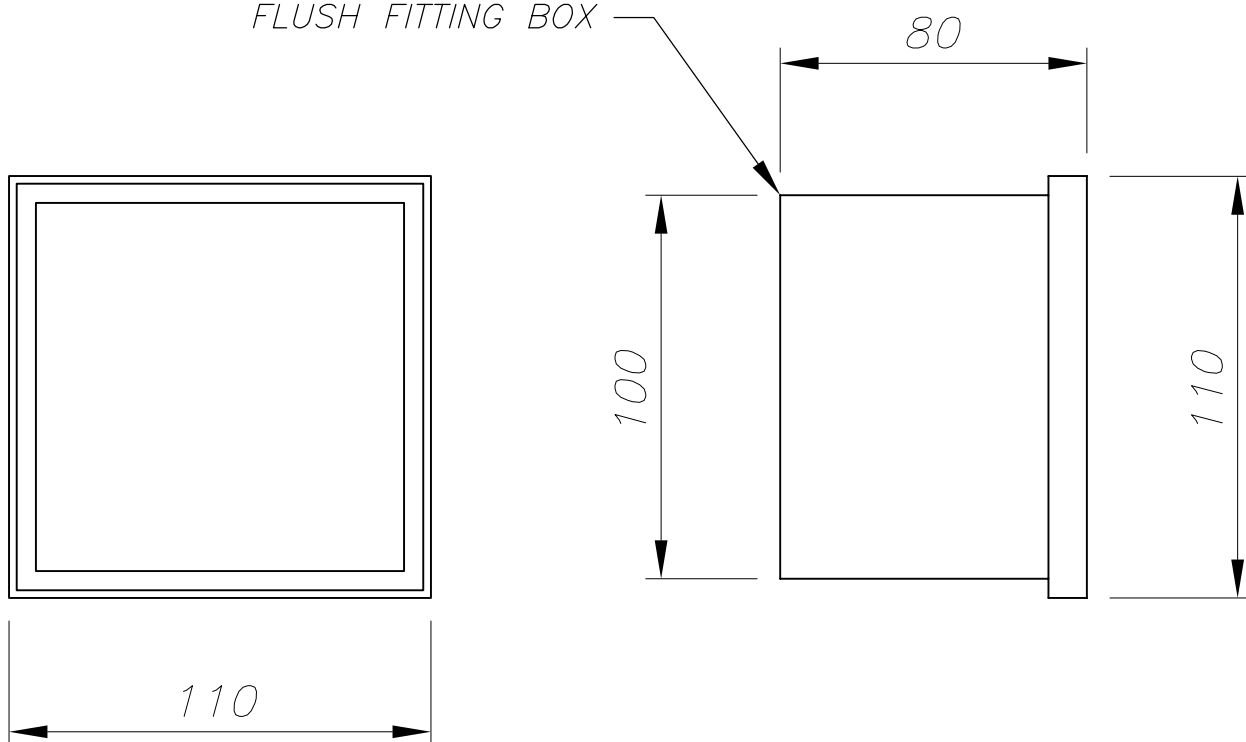
180.0 ——— 0.0  
 270.0 ——— 90.0



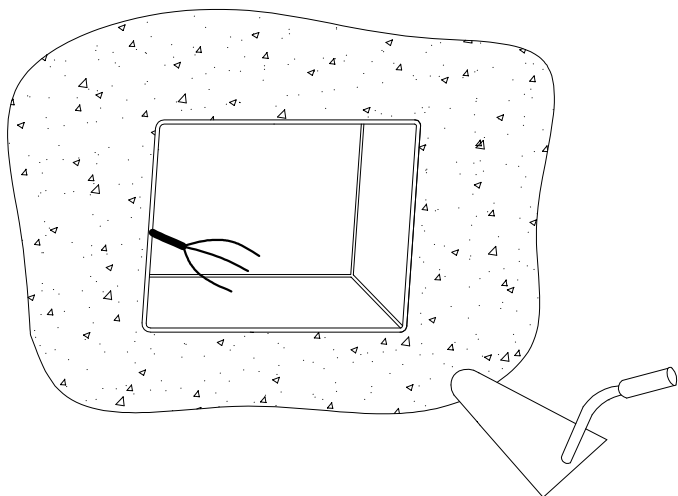


ALUMINIO INYECTADO  
INJECTED ALUMINUM

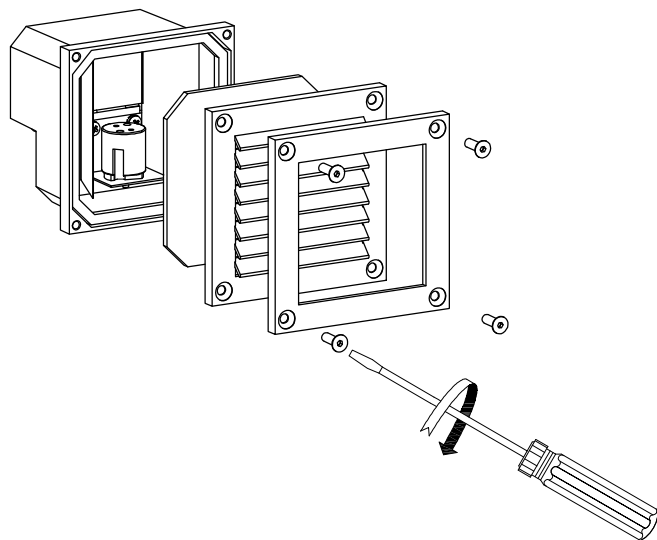
CAJA DE EMPOTRAR  
FLUSH FITTING BOX



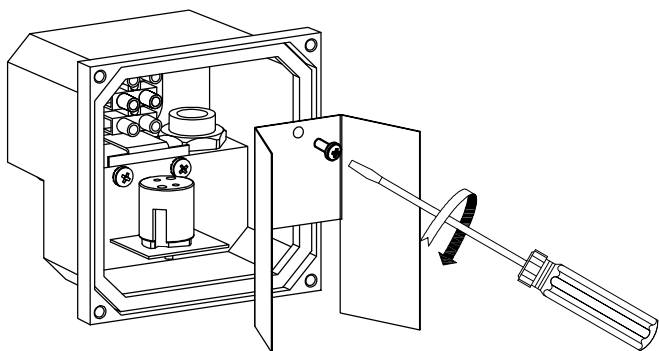
①



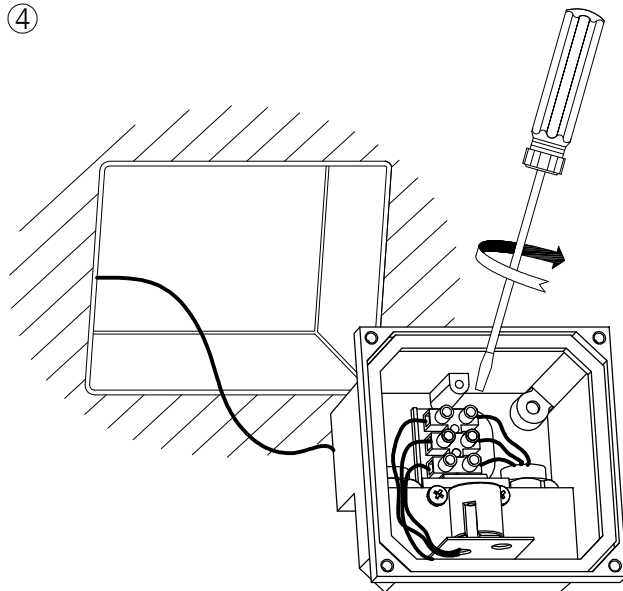
②



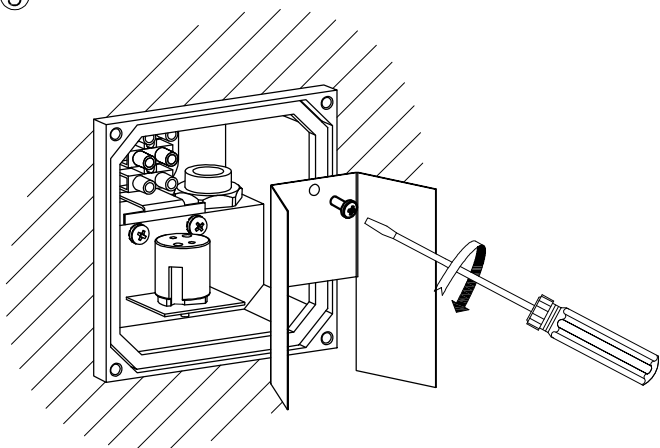
③



④



⑤



⑥

