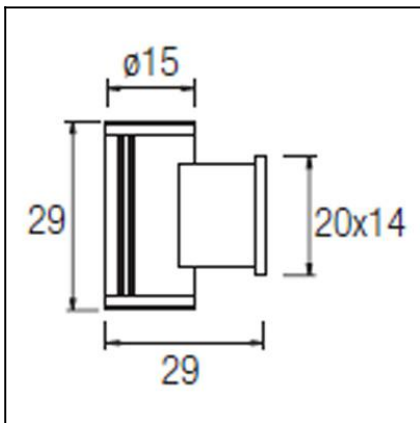




The photograph may not match the reference exactly. Please read the product description to identify the finish.

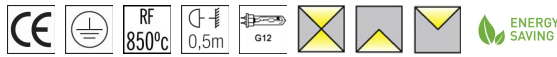


### DESCRIPTION

Straight edged lamp designed for lighting vertical surfaces. Injected aluminium body and tempered glass diffuser. Available in various sizes and finishes: white, light grey, dark grey and brown. Available in different wattages for metal halide lamps, LED and fluorescent lights.

### TECHNICAL CHARACTERISTICS

|                        |                  |
|------------------------|------------------|
| Type:                  | Wall fixture     |
| IP Protection degrees: | IP65             |
| IK Protection degrees: | IK08             |
| Lampholder:            | 1 x G12          |
| Power (W):             | G12 HIT-T-70W    |
| Angle Óptiques:        | 40°              |
| Voltage / Frequency:   | 230V/50Hz        |
| Warranty (Years):      | 2                |
| Units per box:         | 2                |
| Net Weight (Kg):       | 5.175            |
| EAN:                   | 8435111050439,00 |



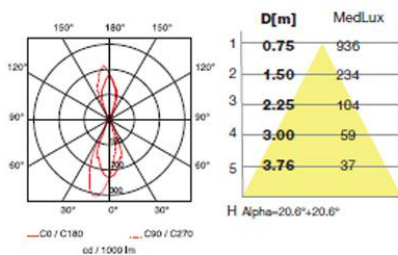
### MATERIALS / FINISHES

**Structure material:** Injected aluminium

**Diffuser material:** Glass

**Structure finish:** Grey

**Diffuser finish:** Tempered



### GEAR

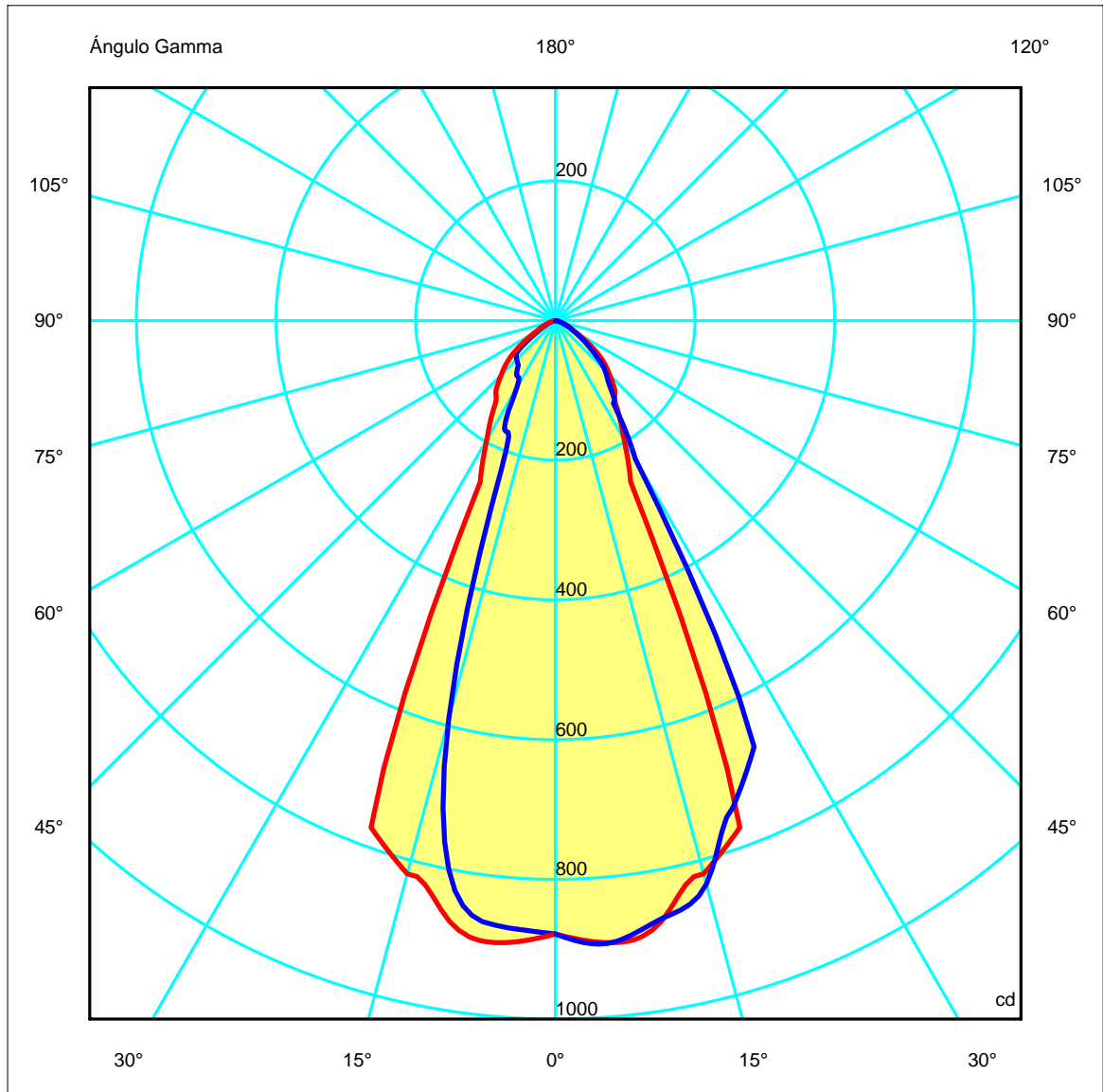
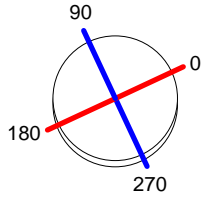
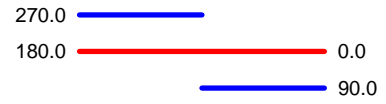
Gear included: Yes, Magnetic

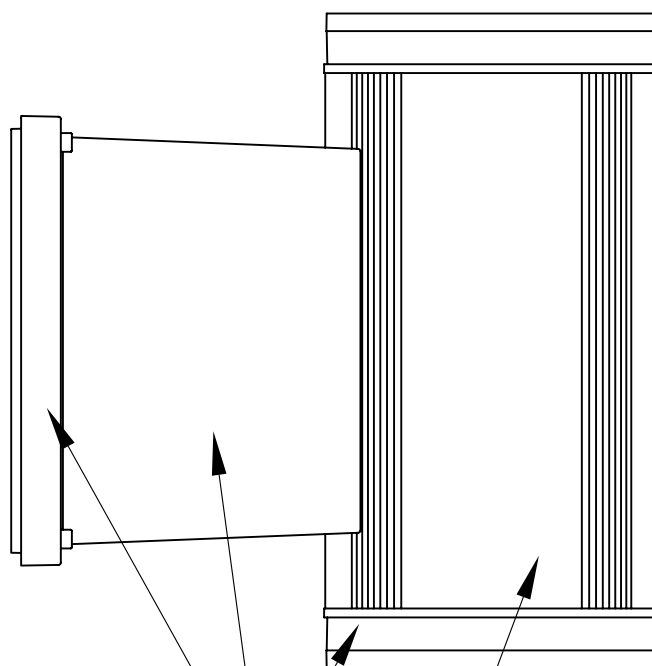
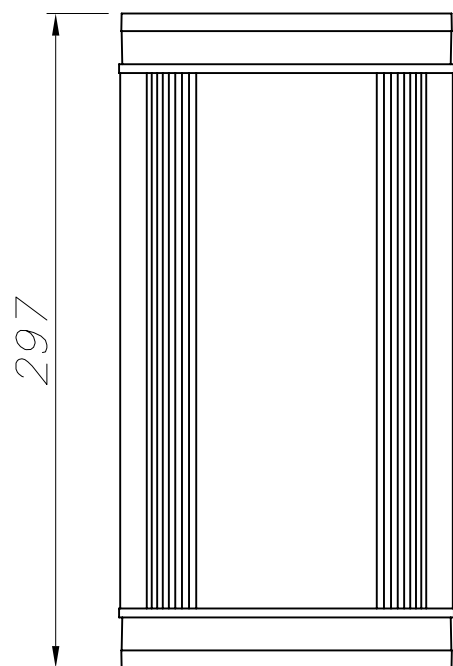
Download photometric file .ldt / .ies

|                  |                                 |                   |                                 |                    |            |
|------------------|---------------------------------|-------------------|---------------------------------|--------------------|------------|
| <b>Luminaria</b> |                                 | <b>Ensayo</b>     |                                 | <b>Lámpara</b>     |            |
| Código           | 05-9204-34-B8 DIR               | Código            | 05-9204-34-B8 DIR               | Código             | CDMT70/830 |
| Nombre           | Aplicado directo COSMOS 70W G12 | Nombre            | Aplicado directo COSMOS 70W G12 | Número             | 1          |
| Familia          | - LEDS-C4                       | Fecha             | 24-03-2010                      | Posición           | Universal  |
| Eficiencia       | 10.36%                          | Sist. de Coorden. | C-G                             | Flujo Total        | 6600.00 lm |
| Valor Máximo     | 898.58 cd                       | Posición          | C=60.00 G=5.00                  | Sim. en los planos | 270-90     |

Diam=150mm

Semiplanos C

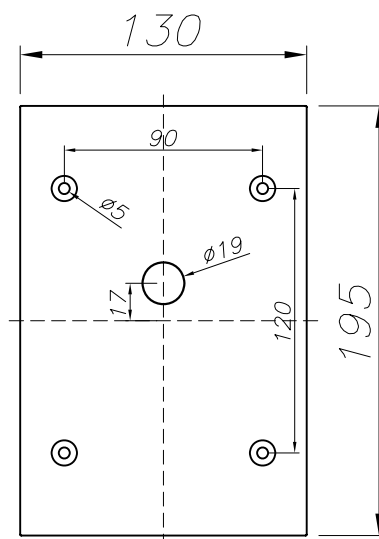
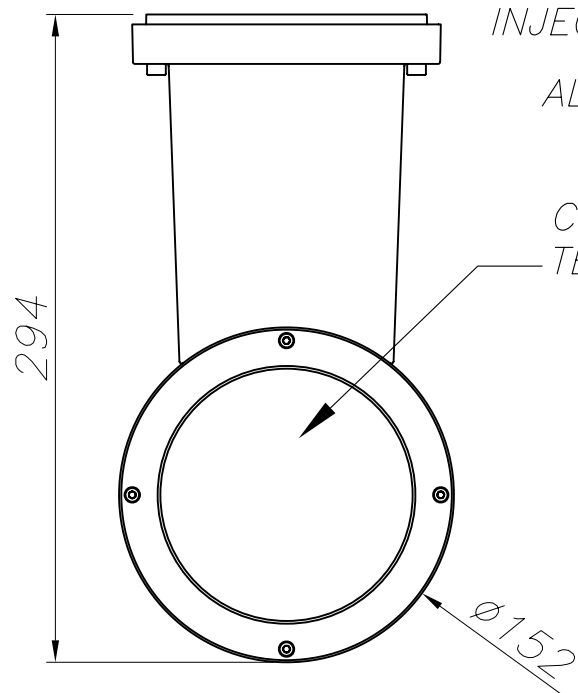




ALUMINIO INYECTADO  
INJECTED ALUMINUM

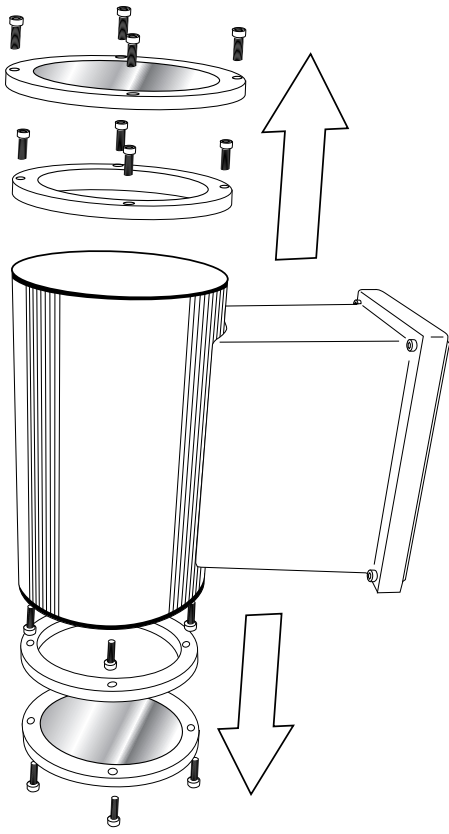
ALUMINIO EXTRUSIONADO  
EXTRUDED ALUMINUM

CRISTAL TRANSPARENTE TEMPLADO  
TEMPERED TRANSPARENT GLASS

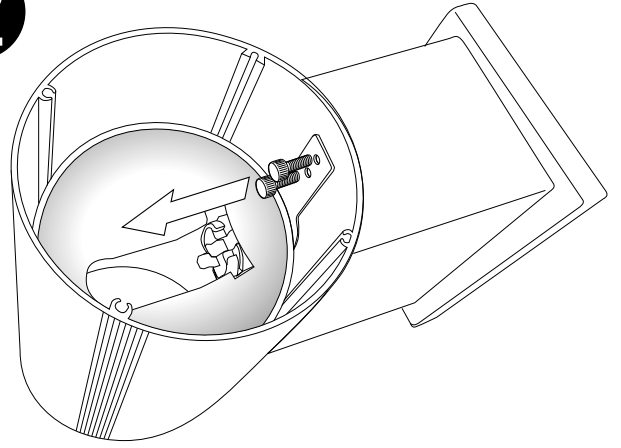


PLANTILLA DE INSTALACIÓN  
INSTALLATION TEMPLATE

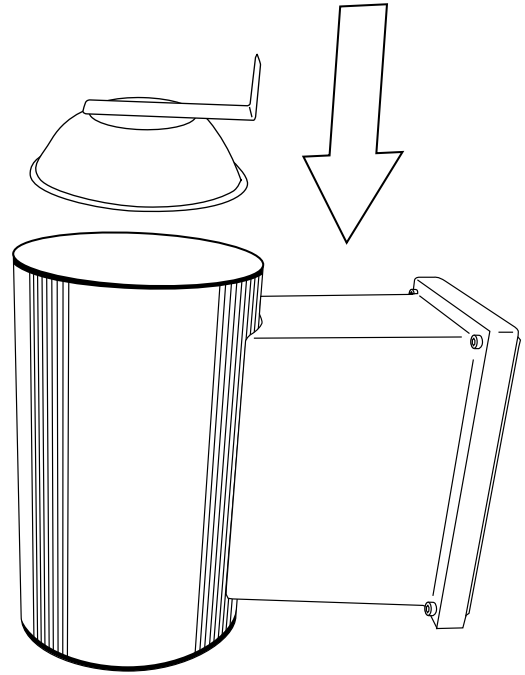
1



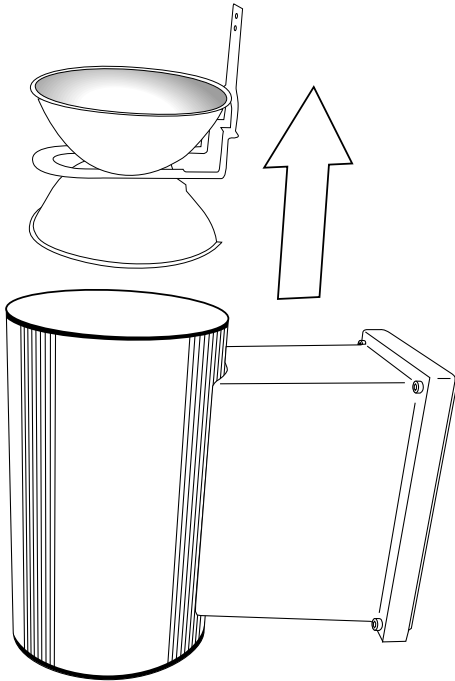
2



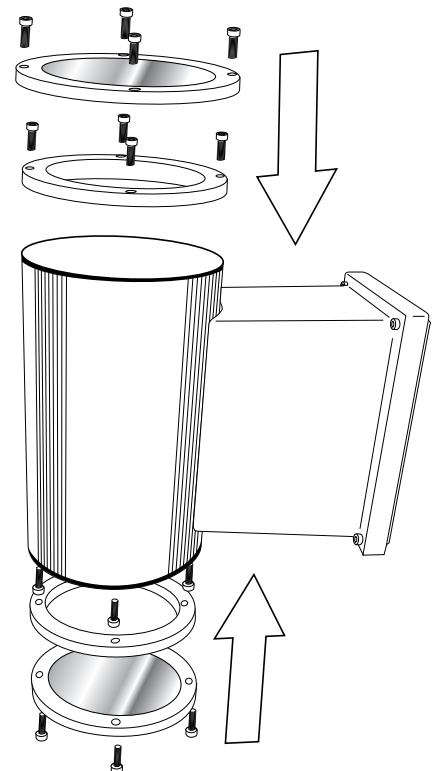
4



3



6



5

