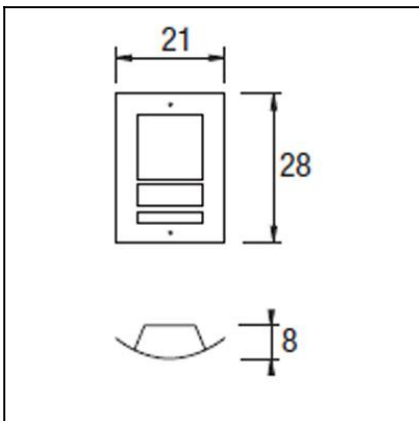


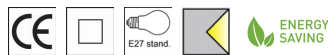


The photograph may not match the reference exactly. Please read the product description to identify the finish.



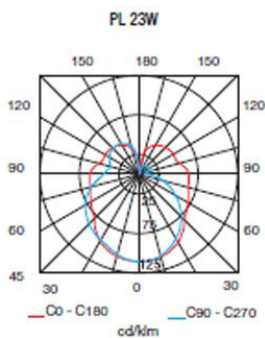
TECHNICAL CHARACTERISTICS

Type:	Wall fixture
IP Protection degrees:	IP44
Lampholder:	1 x E27
Power (W):	E27 MAX 60W
Total power consumption (W):	60
Voltage / Frequency:	230V/50-60Hz
Warranty (Years):	2
Units per box:	6
Net Weight (Kg):	0.735
EAN:	8435111066874,00



MATERIALS / FINISHES

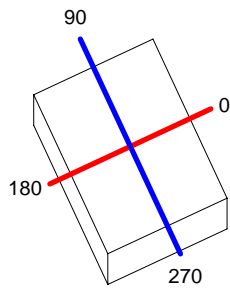
Structure material:	Stainless steel AISI304	Diffuser material:	Polycarbonate
Structure finish:	Oxide brown	Diffuser finish:	Matt



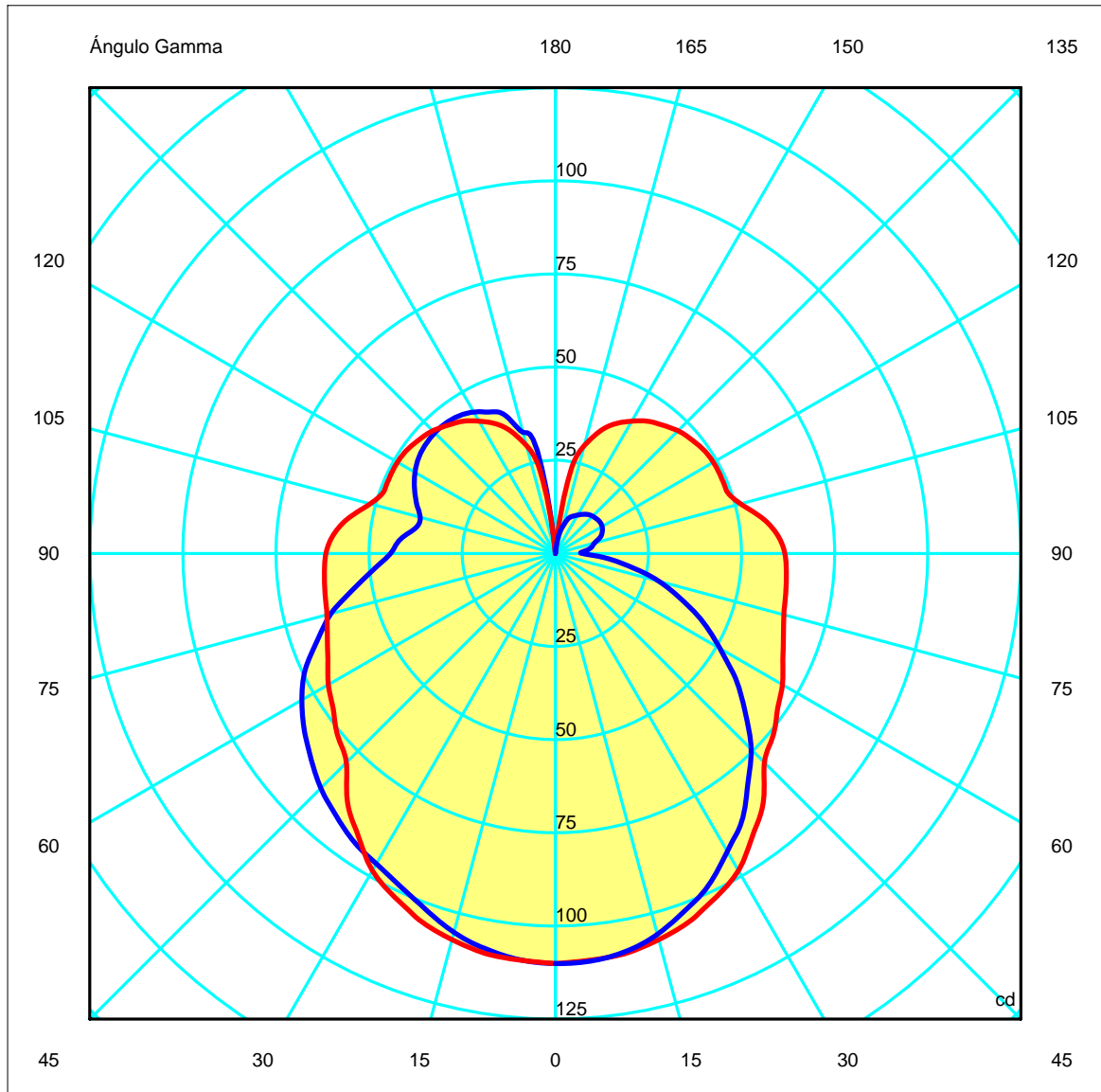
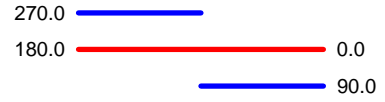
Download photometric file .ldt /.ies

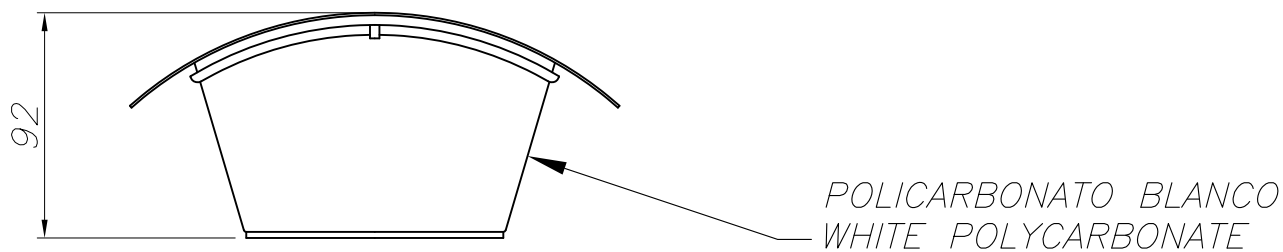
Luminaria		Ensayo		Lámpara	
Código	05-9207-J6-M1	Código	05-9207-J6-M1	Código	PLEC23
Nombre	Aplique AJAX PL 23W E27 opal	Nombre	Aplique AJAX PL 23W W27 opal	Número	1
Familia	- LEDS-C4	Fecha	03-09-2009	Posición	Universal
Eficiencia	45.44%	Sist. de Coorden.	C-G	Flujo Total	1500.00 lm
Valor Máximo	110.10 cd	Posición	C=270.00 G=0.00	Sim. en los planos	270-90

280mm x 210mm



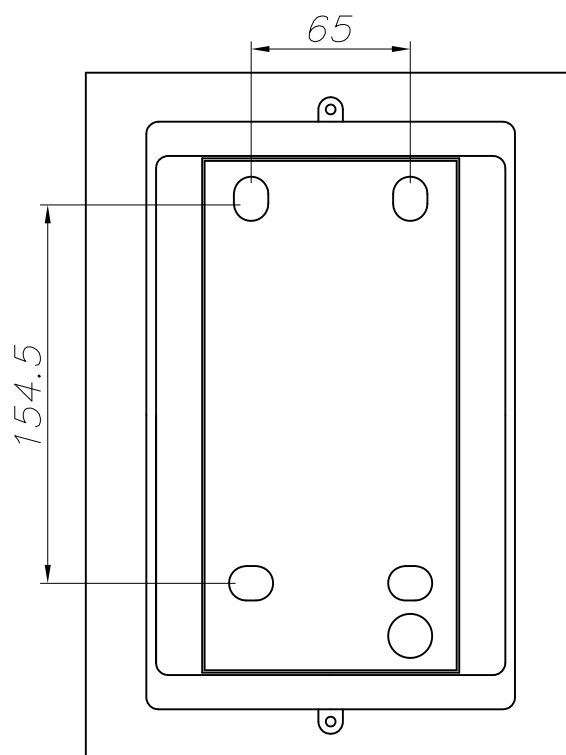
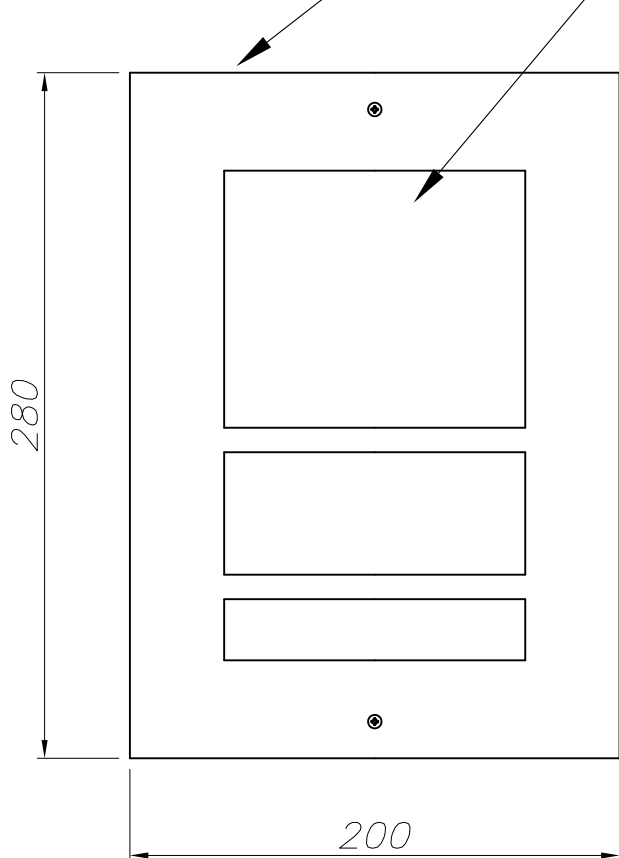
Semiplanos C





ACERO INOXIDABLE AISI 304
STAINLESS STEEL AISI 304

POLICARBONATO TRANSPARENTE MATE
TRANSPARENT MATT POLYCARBONATE



PLANTILLA DE INSTALACIÓN
INSTALLATION TEMPLATE



LEDS-C4

OUTDOOR

05-9207

