

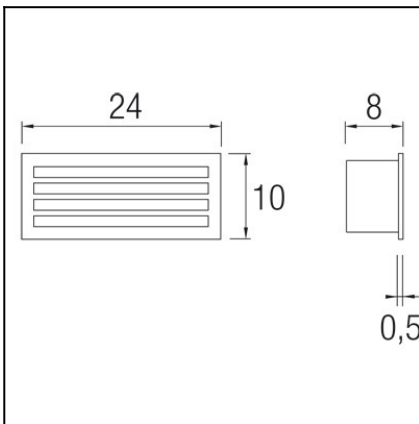
OUT 

HERCULES

05-9212-Y4-T2



The photograph may not match the reference exactly. Please read the product description to identify the finish.



TECHNICAL CHARACTERISTICS

Type:	Downlight
IP Protection degrees:	IP44
IK Protection degrees:	IK08
Lampholder:	1 x E27
Power (W):	E27 MAX 60W
Total power consumption (W):	60
Voltage / Frequency:	230V/50-60Hz
Warranty (Years):	2
Units per box:	18
Net Weight (Kg):	0.89
EAN:	8435111044605,00



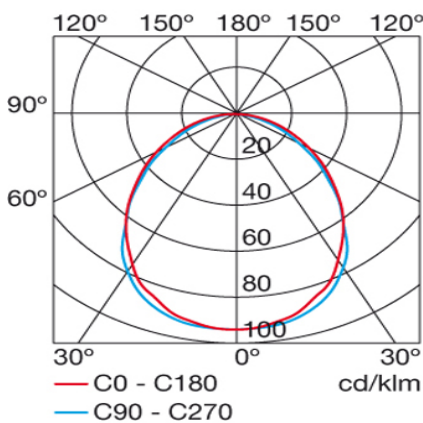
MATERIALS / FINISHES

Structure material: Stainless steel AISI202

Diffuser material: Glass

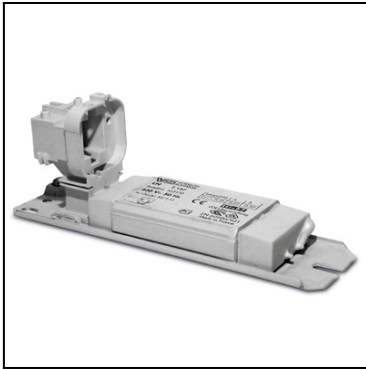
Structure finish: Polished

Diffuser finish: Sandblasted

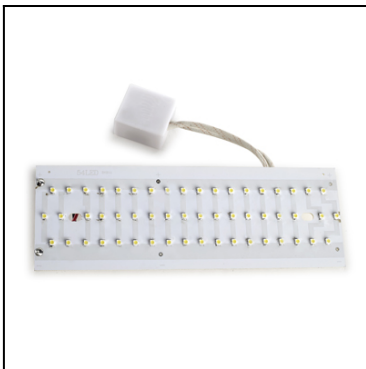


Download photometric file .ldt / .ies

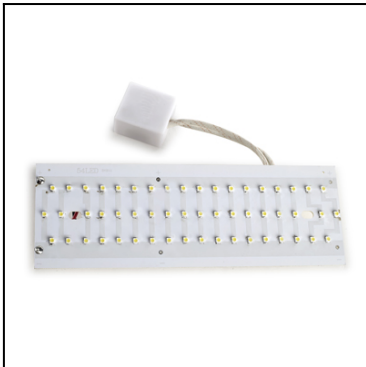
71-8969-00-00



71-9713-00-00

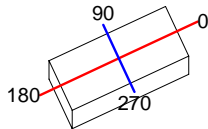


71-9714-00-00



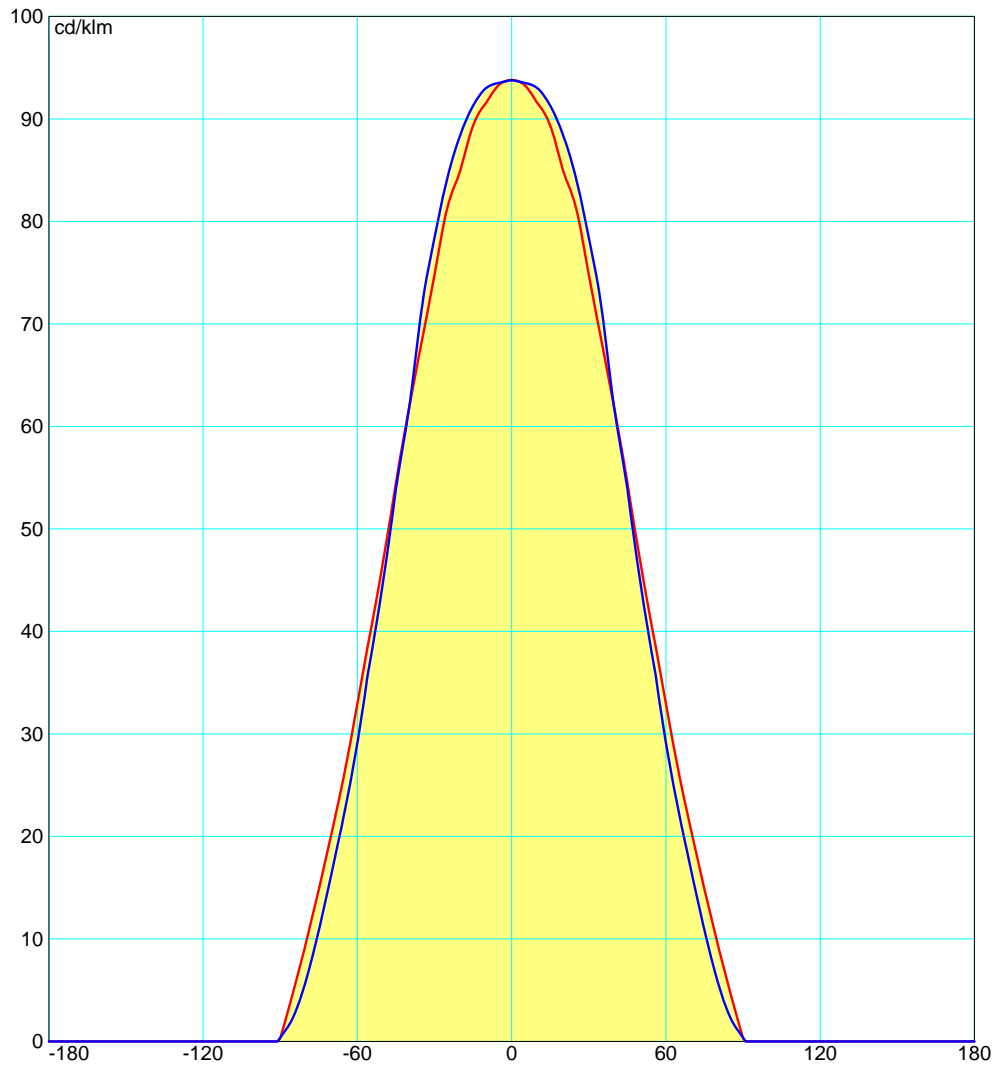
Luminaria		Ensayo		Lámpara	
Código	05-9212-Y4-T2	Código	05-9212-Y4-T2	Código	PL-C13W/840/2P
Nombre	Aplicque 1x13W TC-D dif rejilla	Nombre	Aplicque 1x13W TC-D rejilla	Número	1
Familia	- LEDS-C4	Fecha	18-11-2008	Posición	Universal
Eficiencia	23.17%	Sist. de Coord.	C-G	Flujo Total	900.00 lm
Valor Máximo	93.79 cd/klm	Posición	C=0.00 G=0.00		Bisimétrico

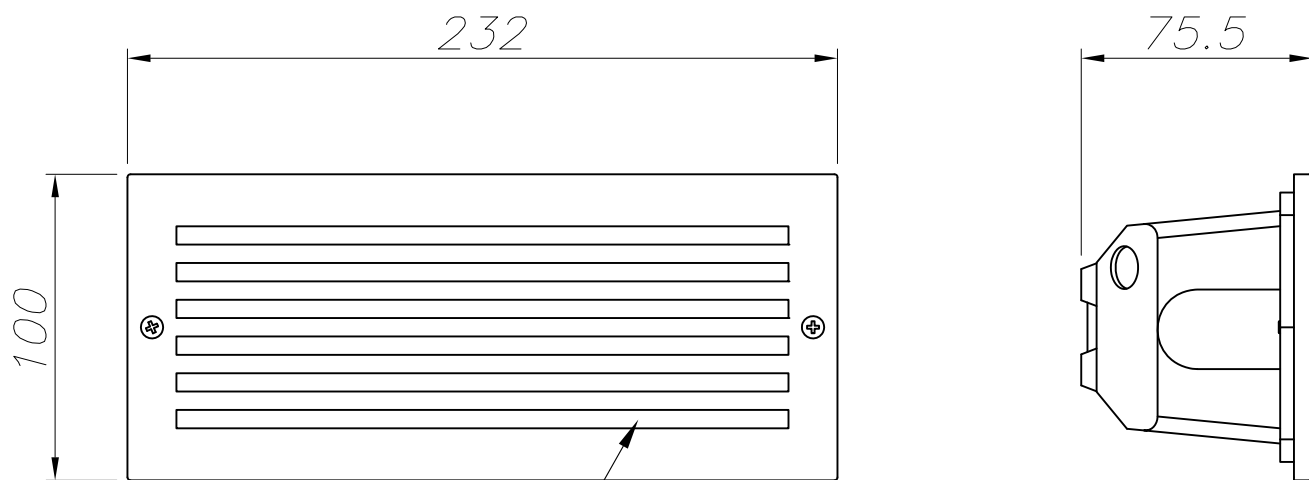
100mm x 235mm



Semiplanos C

180.0 ————— 0.0
 270.0 ————— 90.0

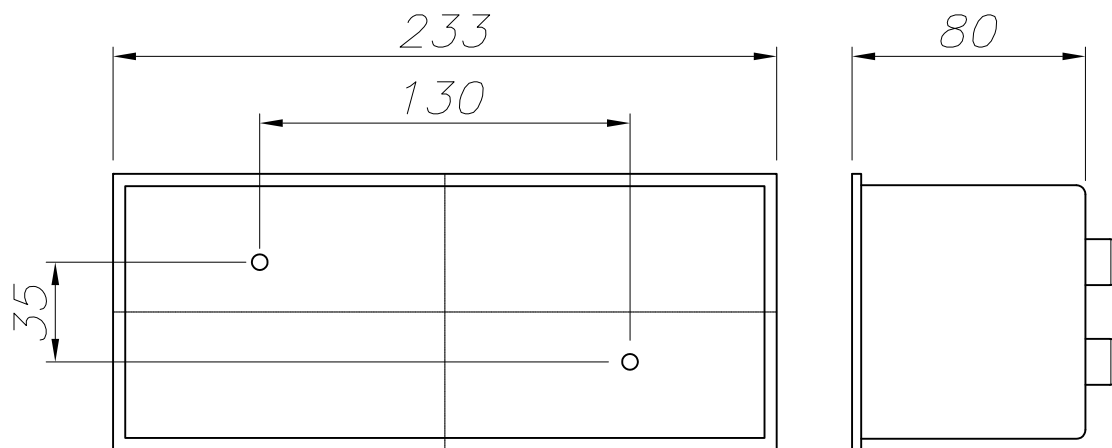
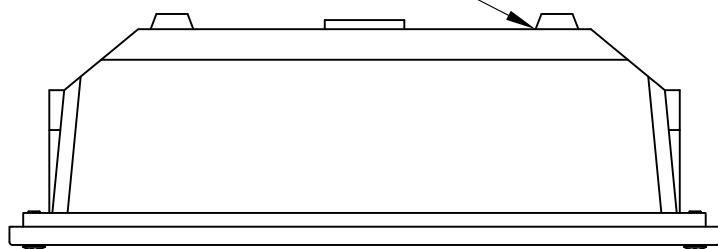




CRISTAL ARENADO INTERIOR
SANDFROSTED GLASS INSIDE

ACERO INOXIDABLE AISI 202
STAINLESS STEEL AISI 202

ALUMINIO INYECTADO
INJECTED ALUMINIUM



CAJA DE EMPOTRAR
FLUSH FITTING BOX

