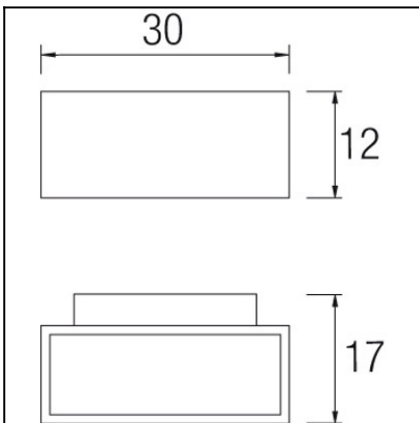


The photograph may not match the reference exactly. Please read the product description to identify the finish.

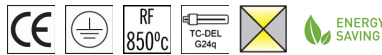


DESCRIPTION

Straight edged lamp designed for lighting vertical surfaces. Injected aluminium body and tempered glass diffuser. Available in various sizes and finishes: white, light grey, dark grey and brown. Available in different wattages for metal halide lamps, LED and fluorescent lights.

TECHNICAL CHARACTERISTICS

Type:	Wall fixture
IP Protection degrees:	IP65
IK Protection degrees:	IK04
Lampholder:	2 x G24q3
Power (W):	G24q3 26W
Total power consumption (W):	57.5
Voltage / Frequency:	230V/50-60Hz
Warranty (Years):	2
Units per box:	2
Net Weight (Kg):	2.23
EAN:	8435111089705,00



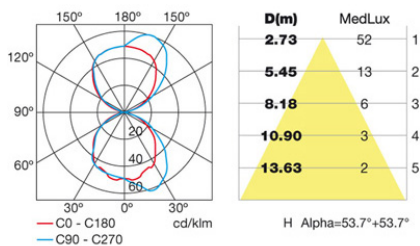
MATERIALS / FINISHES

Structure material: Injected aluminium

Diffuser material: Glass

Structure finish: White

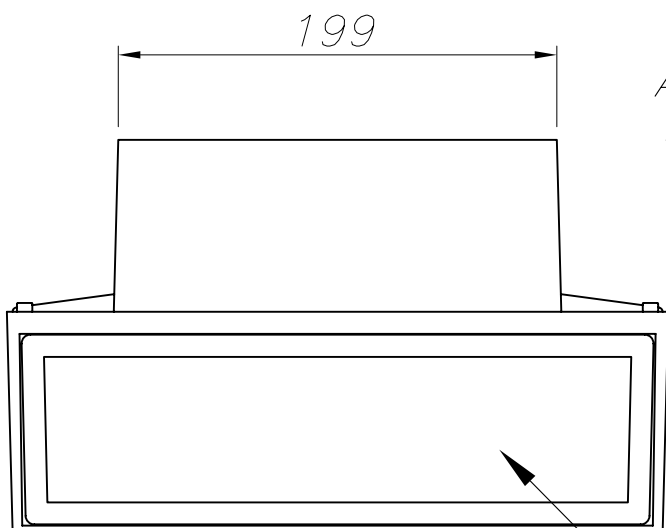
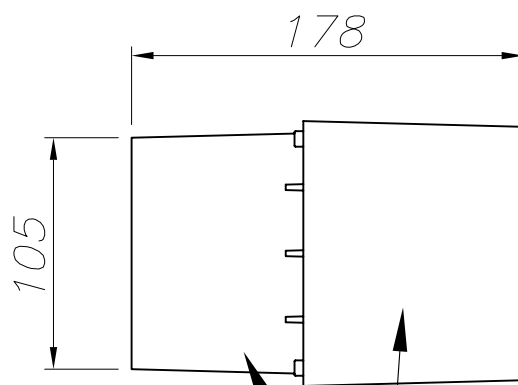
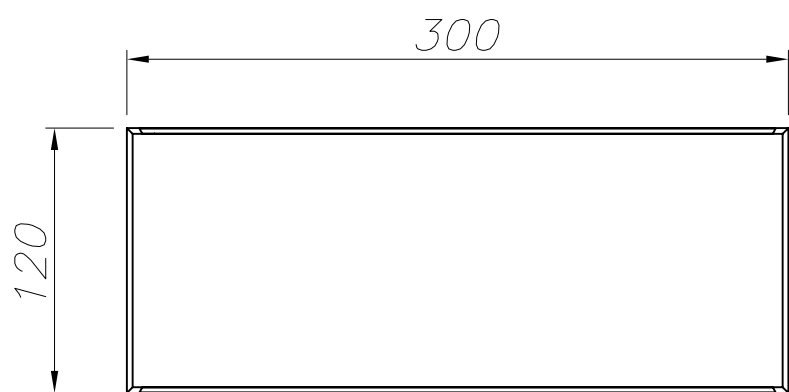
Diffuser finish: Sandblasted



GEAR

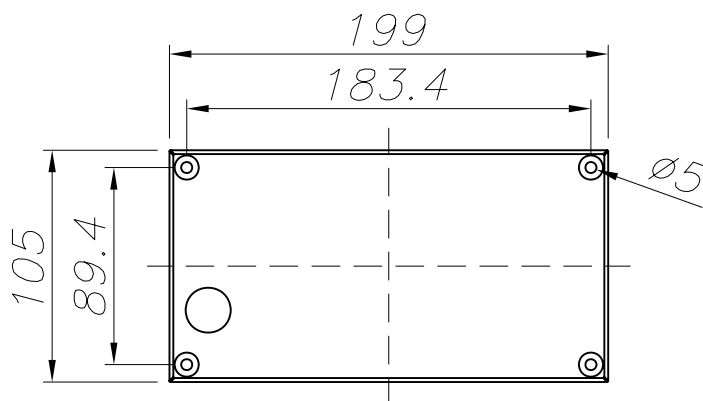
Gear included: Yes, electronic

Download photometric file .ldt / .ies



ALUMINIO INYECTADO
INJECTED ALUMINUM

CRISTAL SATINADO
SATIN GLASS



PLANTILLA DE INSTALACIÓN
INSTALLATION TEMPLATE

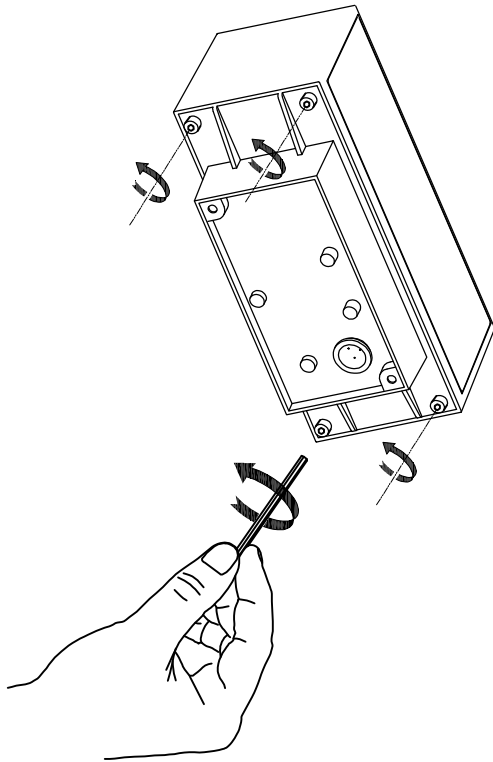


LED S-C4

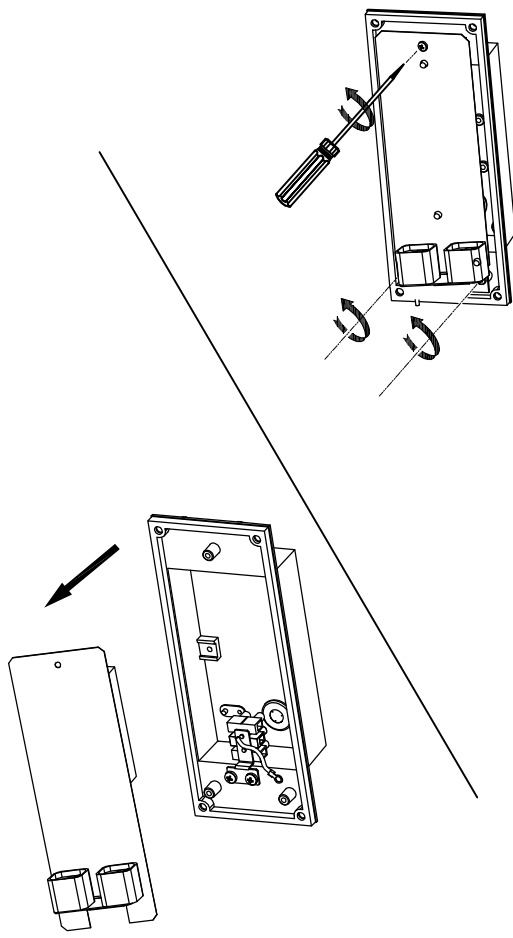
OUTDOOR

05-9228

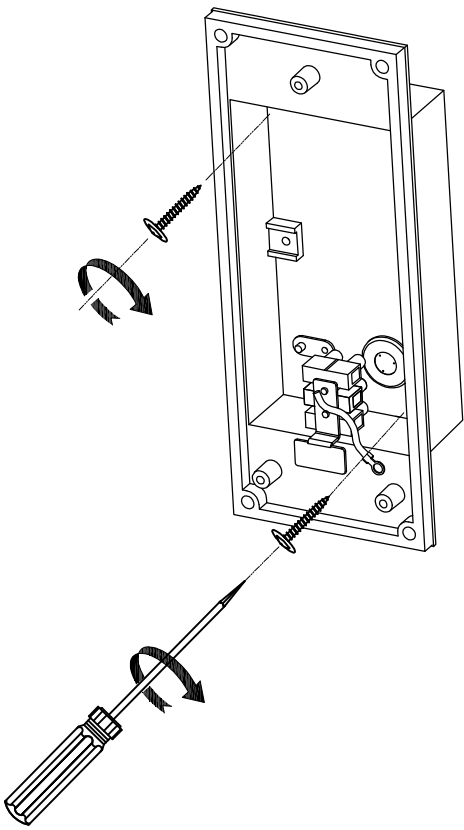
1



2



3



4

