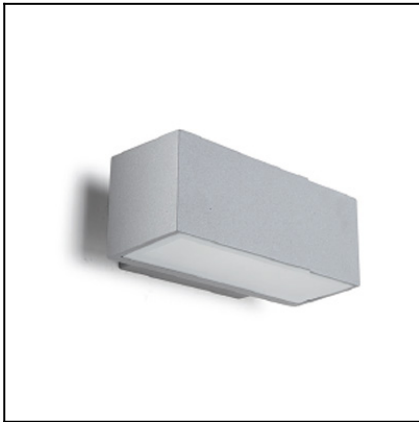


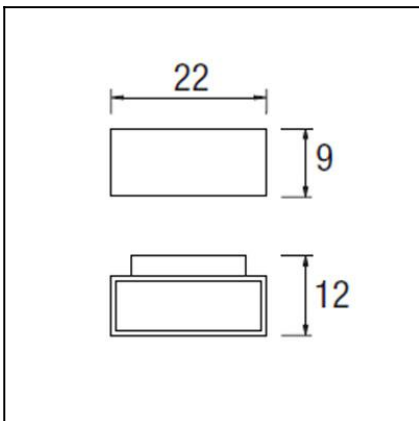
OUT 

AFRODITA

05-9229-J6-37



The photograph may not match the reference exactly. Please read the product description to identify the finish.



TECHNICAL CHARACTERISTICS

Type:	Wall fixture
IP Protection degrees:	IP65
IK Protection degrees:	IK04
Lampholder:	1 x R7s
Power (W):	R7s MAX 150W
Total power consumption (W):	150
Voltage / Frequency:	230V/50-60Hz
Warranty (Years):	2
Units per box:	4
Net Weight (Kg):	1.19
EAN:	8435111074893,00



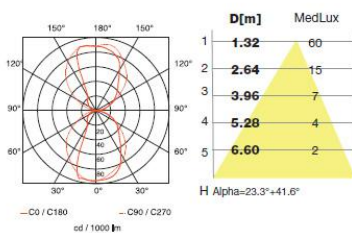
MATERIALS / FINISHES

Structure material: Injected aluminium

Structure finish: Brown

Diffuser material: Glass

Diffuser finish: Sandblasted

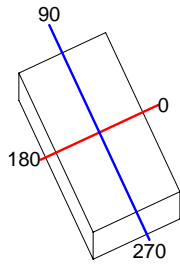


Download photometric file .ldt /.ies

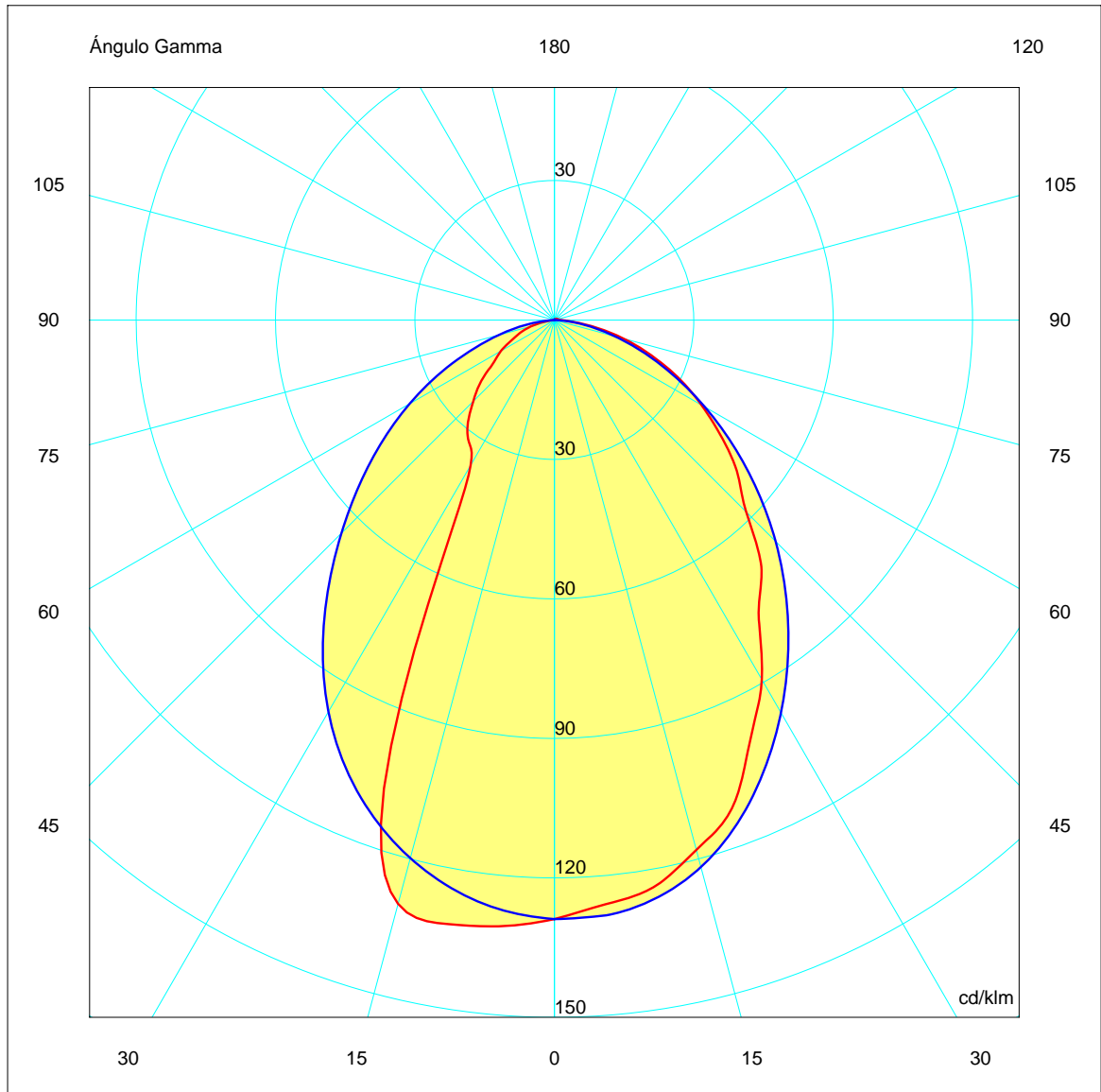
Luminaria		Ensayo		Lámpara	
Código	05-9229-34-37 DIR	Código	05-9229-34-37 DIR	Código	100T3 Q/CL/CP 230V
Nombre	Aplicador dir 1X100W Halogena R7s	Nombre	Aplicador 1x100W halogena R7s	Número	1
Familia	- LEDS-C4	Fecha	21-11-2008	Posición	Universal
Eficiencia	26.63%	Sist. de Coorden.	C-G	Flujo Total	1600.00 lm
Valor Máximo	131.94 cd/klm	Posición	C=180.00 G=10.00		Asimétrico

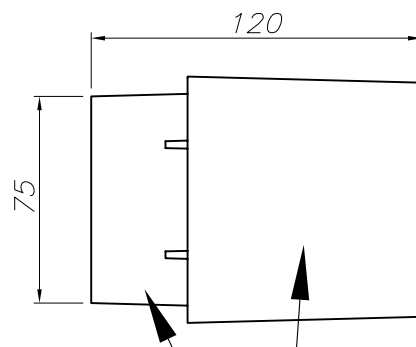
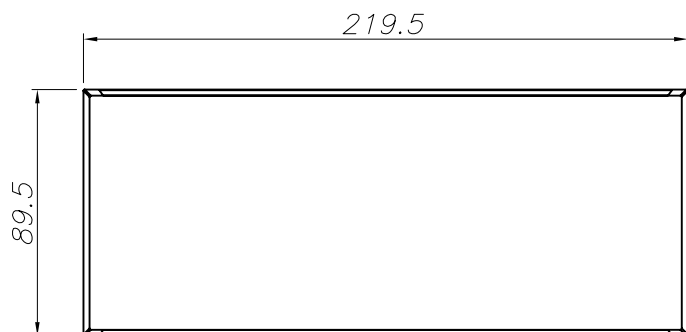
220mm x 120mm

Semiplanos C

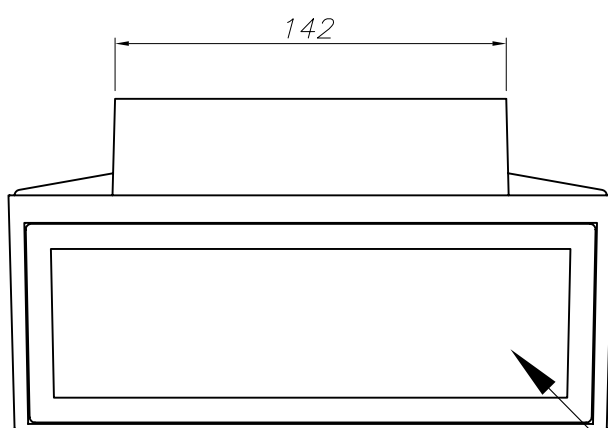


180.0 ——— 0.0
270.0 ——— 90.0

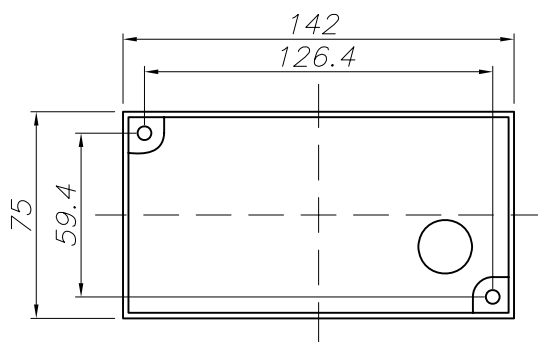




ALUMINIO INYECTADO
INJECTED ALUMINUM



CRISTAL SATINADO
SATIN GLASS



PLANTILLA DE INSTALACIÓN
INSTALLATION TEMPLATE



LEDs·cu

OUTDOOR

05-9229

