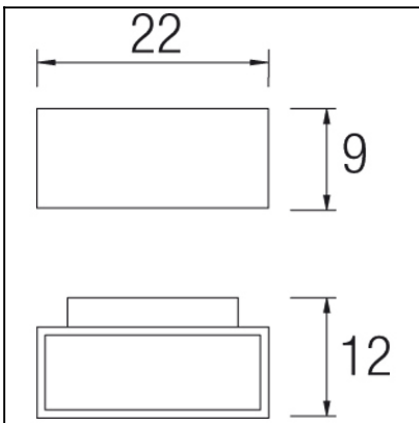




The photograph may not match the reference exactly. Please read the product description to identify the finish.



DESCRIPTION

Straight edged lamp designed for lighting vertical surfaces. Injected aluminium body and tempered glass diffuser. Available in various sizes and finishes: white, light grey, dark grey and brown. Available in different wattages for metal halide lamps, LED and fluorescent lights.

TECHNICAL CHARACTERISTICS

Type:	Wall fixture
IP Protection degrees:	IP65
IK Protection degrees:	IK04
Lampholder:	1 x G24d3
Power (W):	G24d3 26W
Voltage / Frequency:	230V/50Hz
Warranty (Years):	2
Units per box:	4
Net Weight (Kg):	1.83
EAN:	8435111089712,00



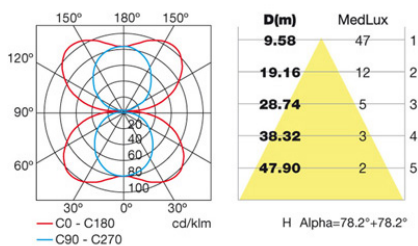
MATERIALS / FINISHES

Structure material: Injected aluminium

Diffuser material: Glass

Structure finish: White

Diffuser finish: Sandblasted



Download photometric file .ldt / .ies

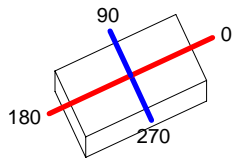
GEAR

Gear included: Yes, Magnetic

Luminaire		Measur.		Lamp		
Code	05-9230-34-37	Code	05-9230-34-37	Code	PL-C26W/840/2P	
Name	Aplique AFRODITA 26W TC-D	Name	Aplique AFRODITA 26W TC-D	Number	1	
Line	- LEDS-C4	Date	14-05-2013	Position	Universal	
Efficiency	12.08%	Coordinate system	CG	Total Flux	1800.00 lm	
Maximum value	98.16 cd	Position	C=285.00 G=15.00	Sym. on planes	270-90	
Rectangular Luminaire	Length	120 mm	Width	220 mm	Height	90 mm
Rectangular Luminous Area	Length	50 mm	Width	185 mm	Height	0 mm
Horizontal Luminous Area	0.009250 m2	Emitting area on Plane 180°		0.000000 m2		
Emitting area on Plane 0°	0.000000 m2	Emitting area on Plane 270°		0.000000 m2		
Emitting area on Plane 90°	0.000000 m2	Glare area at 76°		0.002238 m2		
Symmetry Type	Sym. on planes 270-90	Maximum Gamma Angle		90		
Measurement Distance	6.44	Measurement Flux		1589.00 lm		
Operator	Asselum T2	Source voltage		230.00 V		
Temperature	20.00 °C	Source current		PRC		
Humidity	59.00 %	Photocell				
Notes						

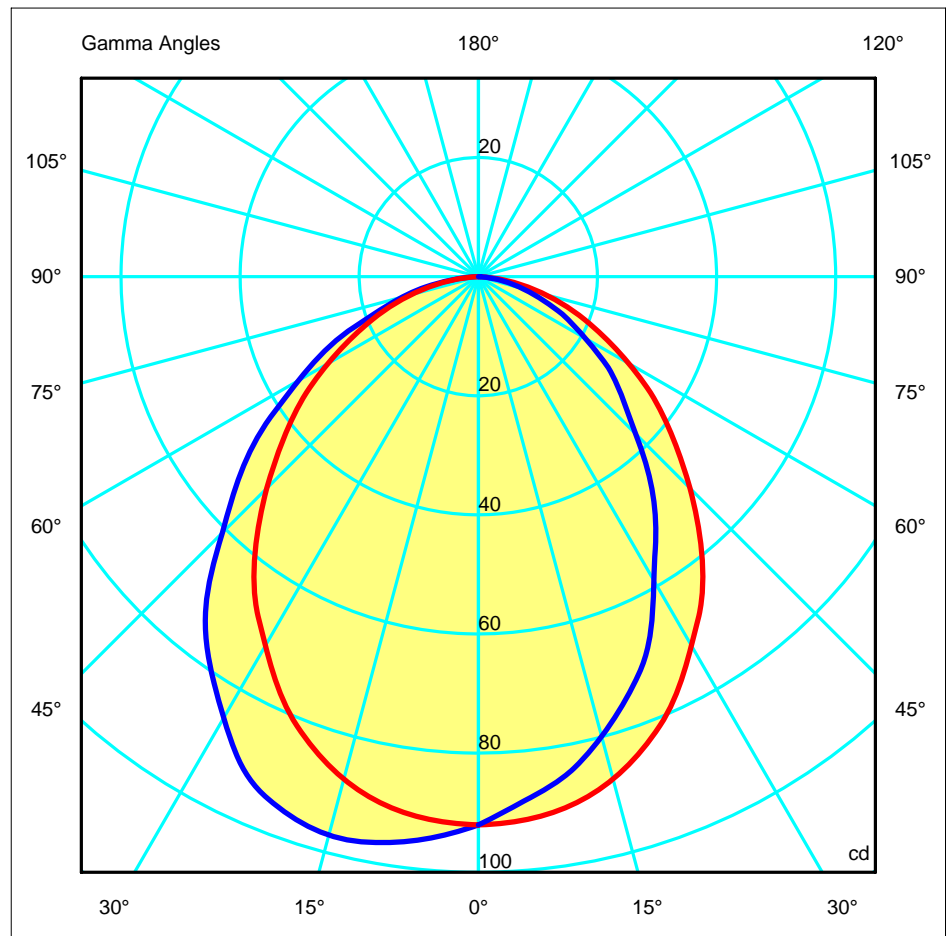
Luminaire Lamps						
Line	Code	Name	Flux [lm]	Pow. [W]	Q.ty	
PHILIPS 2005 ILCOS FBT,G,C,FSQ	PL-C26W/840/2P	MASTER PL-C 26W/840/2P G24d-3	1800.00	26.00	1	
C.I.E.	53 83 97 100 12	D DIN 5040	A40			
F UTE	0.12 D	B NBN	BZ 4			

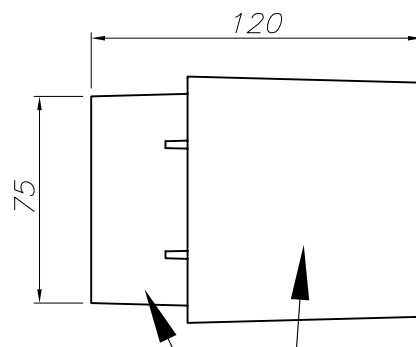
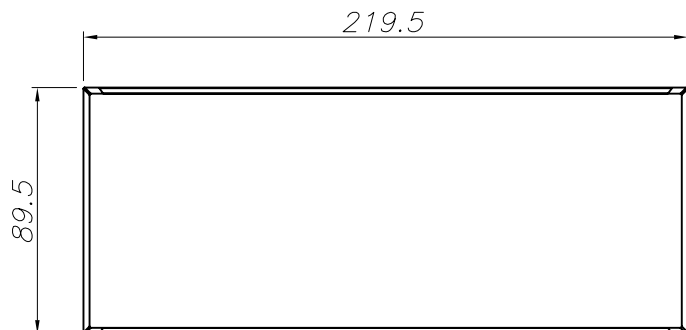
120mm x 220mm



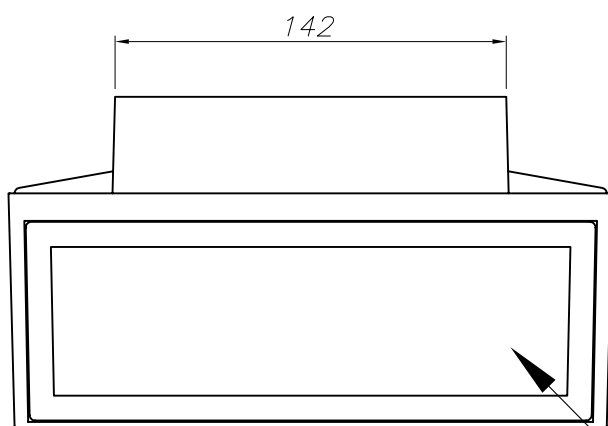
C Halfplanes
 270.0 ————
 180.0 ———— 0.0
 — 90.0

ULOR 0.00 %
 DLOR 12.08 %
 RN 0.00 %

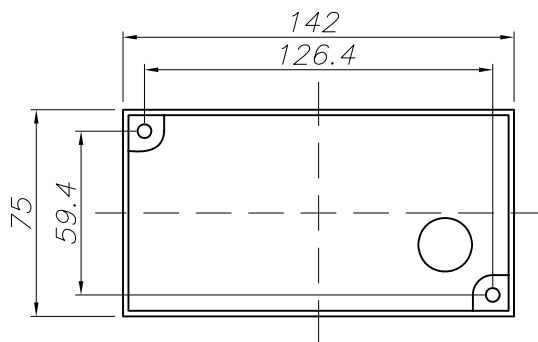




ALUMINIO INYECTADO
INJECTED ALUMINUM



CRISTAL SATINADO
SATIN GLASS



PLANTILLA DE INSTALACIÓN
INSTALLATION TEMPLATE

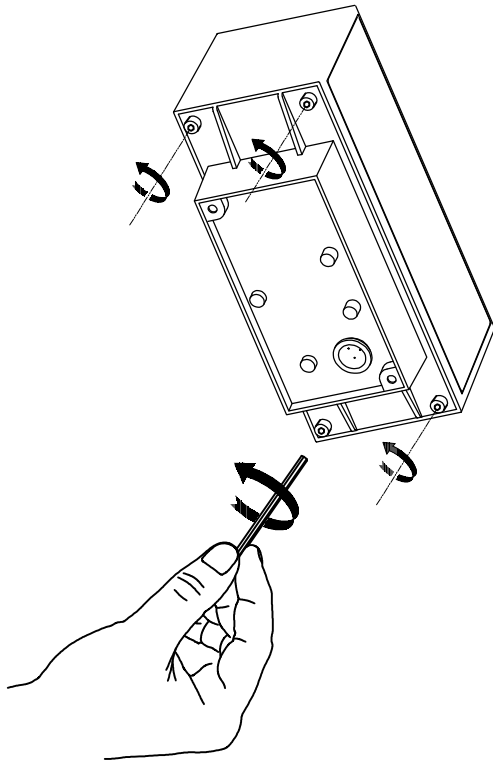


LEDs.cu

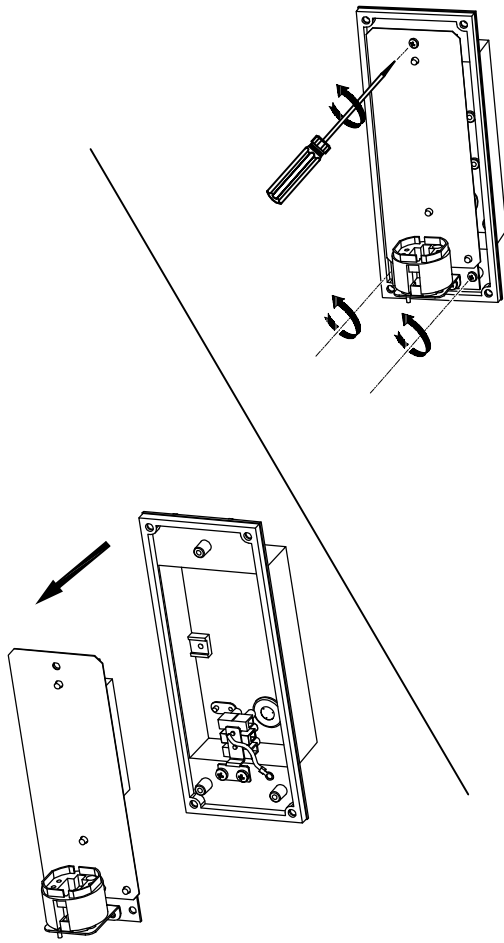
OUTDOOR

05-9230

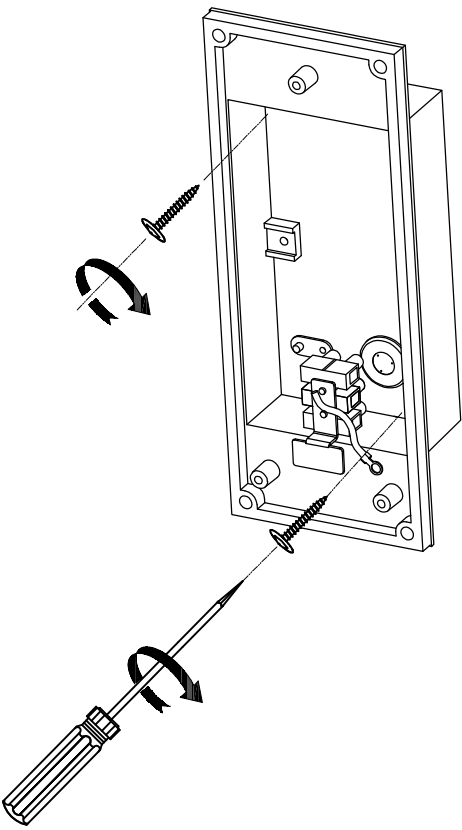
1



2



3



4

