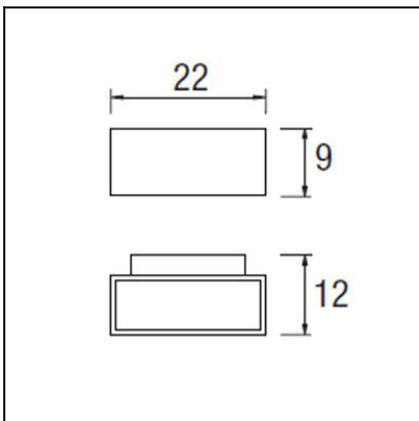


The photograph may not match the reference exactly. Please read the product description to identify the finish.



### DESCRIPTION

Straight edged lamp designed for lighting vertical surfaces. Injected aluminium body and tempered glass diffuser. Available in various sizes and finishes: white, light grey, dark grey and brown. Available in different wattages for metal halide lamps, LED and fluorescent lights.

### TECHNICAL CHARACTERISTICS

Type:	Wall fixture
IP Protection degrees:	IP65
IK Protection degrees:	IK04
Lampholder:	1 x G24d3
Power (W):	G24d3 26W
Voltage / Frequency:	230V/50Hz
Warranty (Years):	2
Units per box:	4
Net Weight (Kg):	1.83
EAN:	8435111049570,00



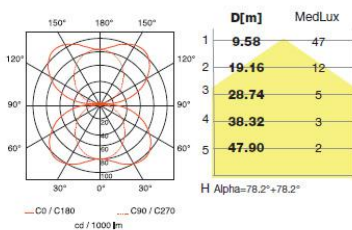
### MATERIALS / FINISHES

**Structure material:** Injected aluminium

**Diffuser material:** Glass

**Structure finish:** Grey

**Diffuser finish:** Sandblasted



### GEAR

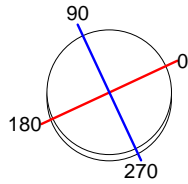
Gear included: Yes, Magnetic

Download photometric file .ldt / .ies

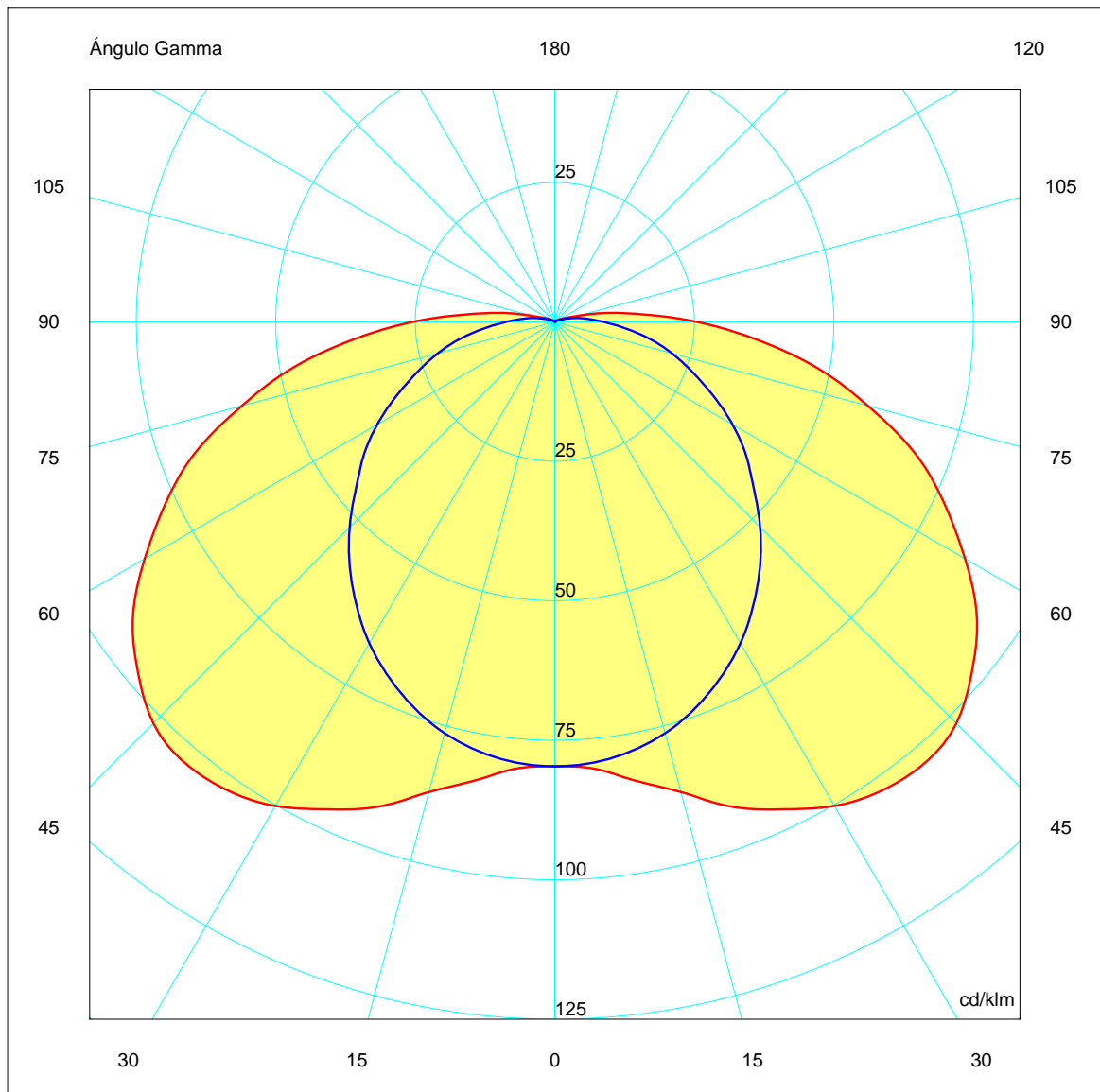
<b>Luminaria</b>		<b>Ensayo</b>		<b>Lámpara</b>	
Código	05-9230-34-37	Código	05-9230-34-37	Código	PLC2684
Nombre	Plafón 2x26W TC-D G24d3	Nombre	Plafón 2x26W TC-D G24d3	Número	2
Familia	- LEDS-C4	Fecha	11-11-2008	Posición	Universal
Eficiencia	41.62%	Sist. de Coorden.	C-G	Flujo Total	3600.00 lm
Valor Máximo	103.52 cd/klm	Posición	C=15.00 G=40.00		Bisimétrico

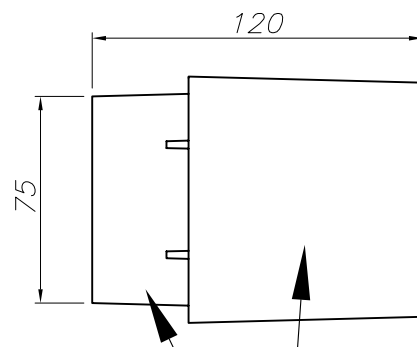
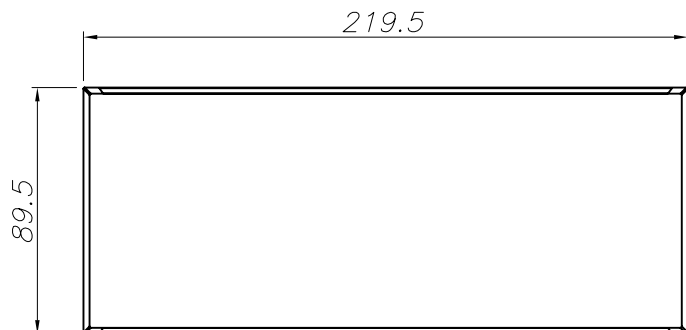
Diam=275mm

Semiplanos C

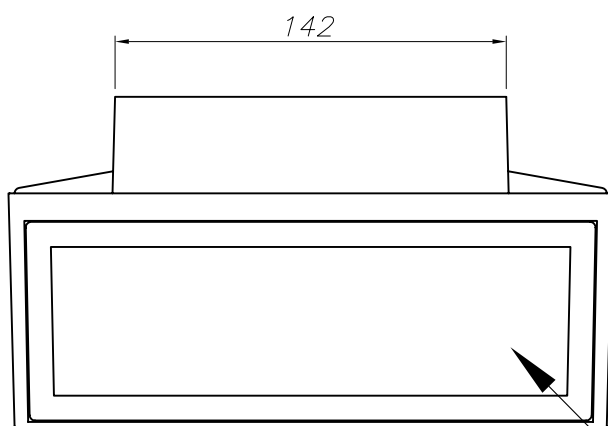


180.0 ——— 0.0  
270.0 ——— 90.0

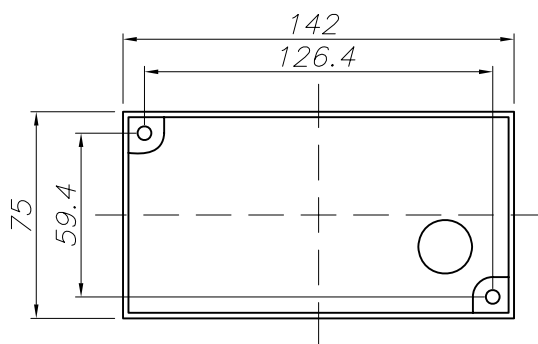




ALUMINIO INYECTADO  
INJECTED ALUMINUM



CRISTAL SATINADO  
SATIN GLASS



PLANTILLA DE INSTALACIÓN  
INSTALLATION TEMPLATE



LEDs.cu

OUTDOOR

05-9230

