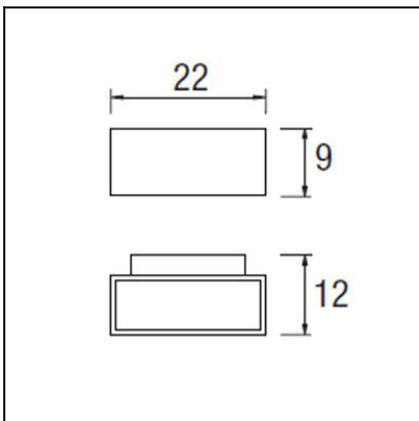




The photograph may not match the reference exactly. Please read the product description to identify the finish.



DESCRIPTION

Straight edged lamp designed for lighting vertical surfaces. Injected aluminium body and tempered glass diffuser. Available in various sizes and finishes: white, light grey, dark grey and brown. Available in different wattages for metal halide lamps, LED and fluorescent lights.

TECHNICAL CHARACTERISTICS

Type:	Wall fixture
IP Protection degrees:	IP65
IK Protection degrees:	IK04
Lampholder:	1 x G24d3
Power (W):	G24d3 26W
Voltage / Frequency:	230V/50Hz
Warranty (Years):	2
Units per box:	4
Net Weight (Kg):	1.83
EAN:	8435111074909,00



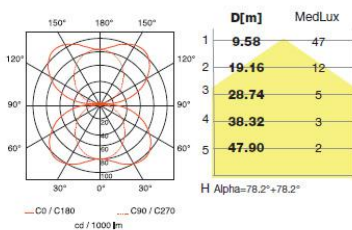
MATERIALS / FINISHES

Structure material: Injected aluminium

Diffuser material: Glass

Structure finish: Brown

Diffuser finish: Sandblasted



GEAR

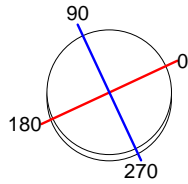
Gear included: Yes, Magnetic

Download photometric file .ldt / .ies

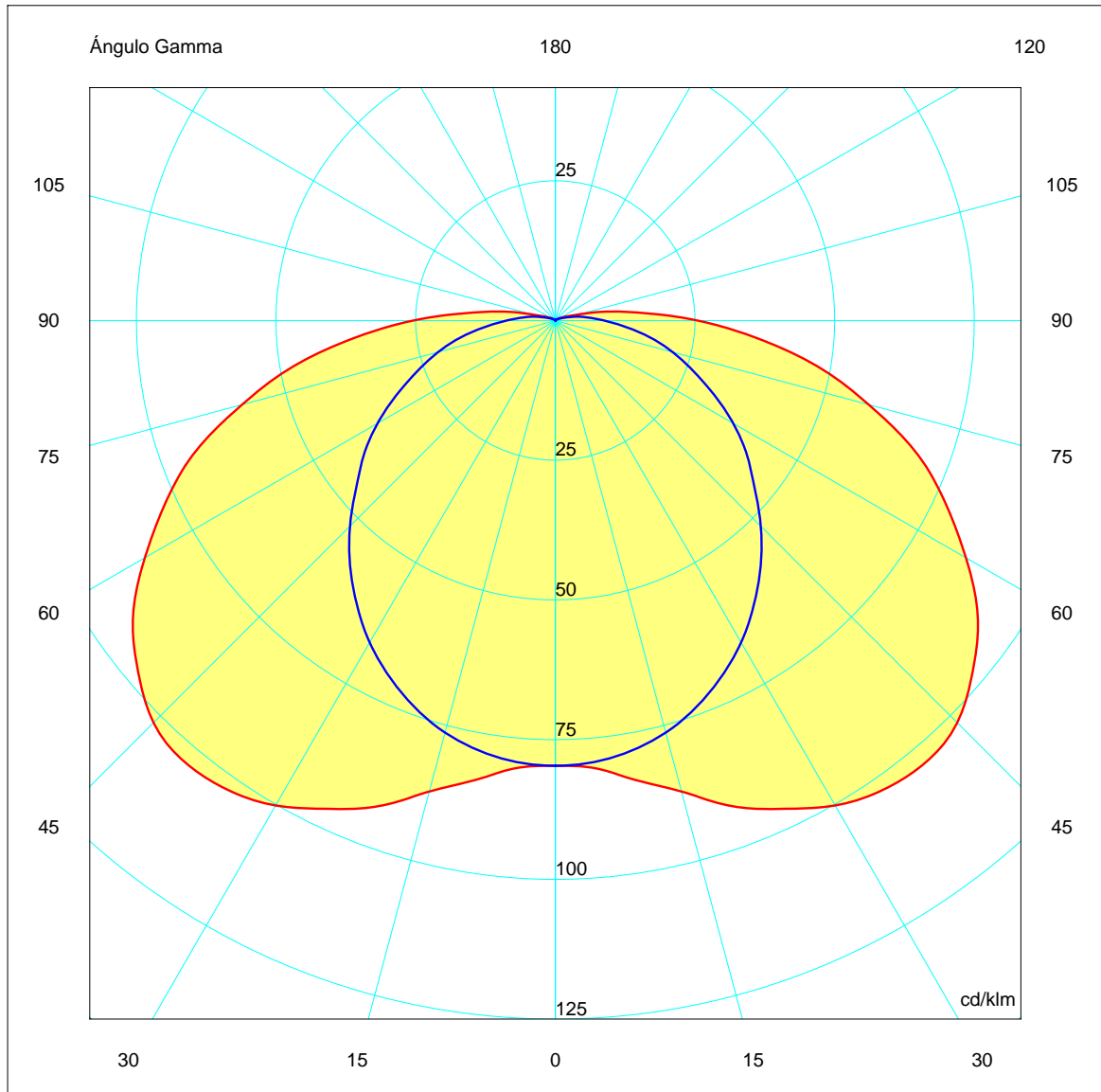
Luminaria		Ensayo		Lámpara	
Código	05-9230-34-37	Código	05-9230-34-37	Código	PLC2684
Nombre	Plafón 2x26W TC-D G24d3	Nombre	Plafón 2x26W TC-D G24d3	Número	2
Familia	- LEDS-C4	Fecha	11-11-2008	Posición	Universal
Eficiencia	41.62%	Sist. de Coorden.	C-G	Flujo Total	3600.00 lm
Valor Máximo	103.52 cd/klm	Posición	C=15.00 G=40.00		Bisimétrico

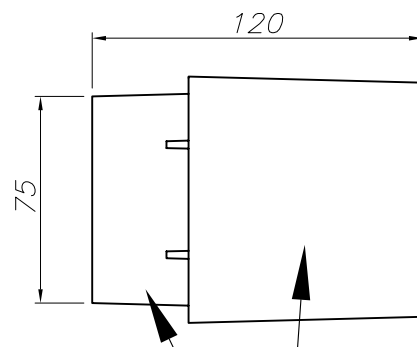
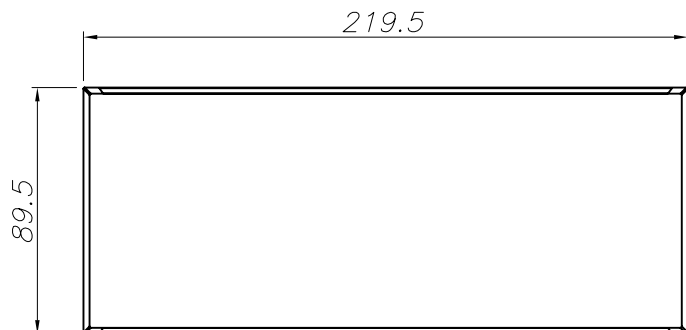
Diam=275mm

Semiplanos C

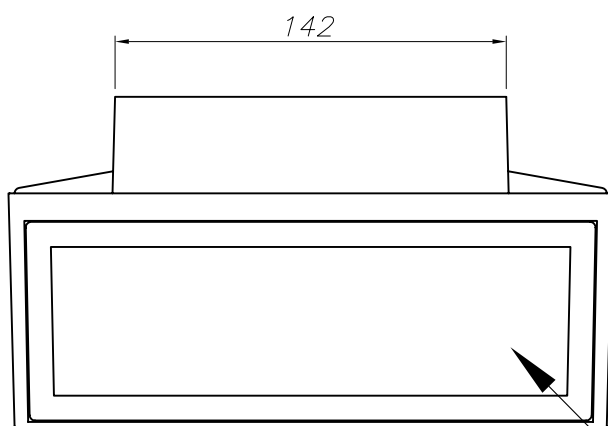


180.0 ——— 0.0
 270.0 ——— 90.0

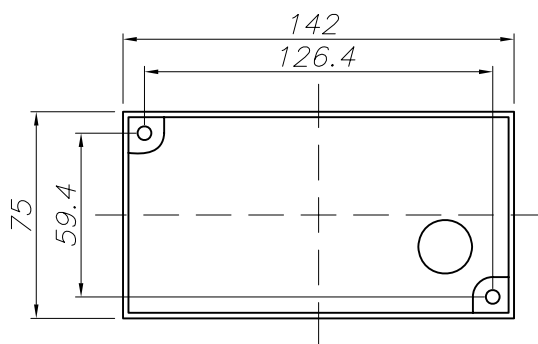




ALUMINIO INYECTADO
INJECTED ALUMINUM



CRISTAL SATINADO
SATIN GLASS



PLANTILLA DE INSTALACIÓN
INSTALLATION TEMPLATE

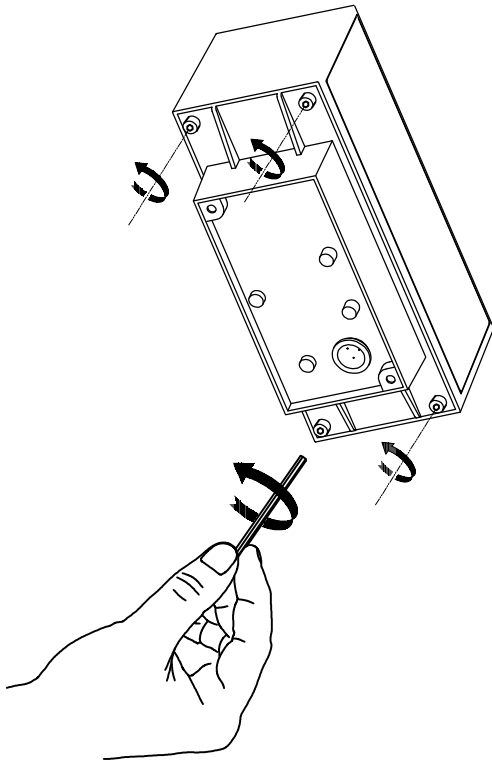


LEDs.cu

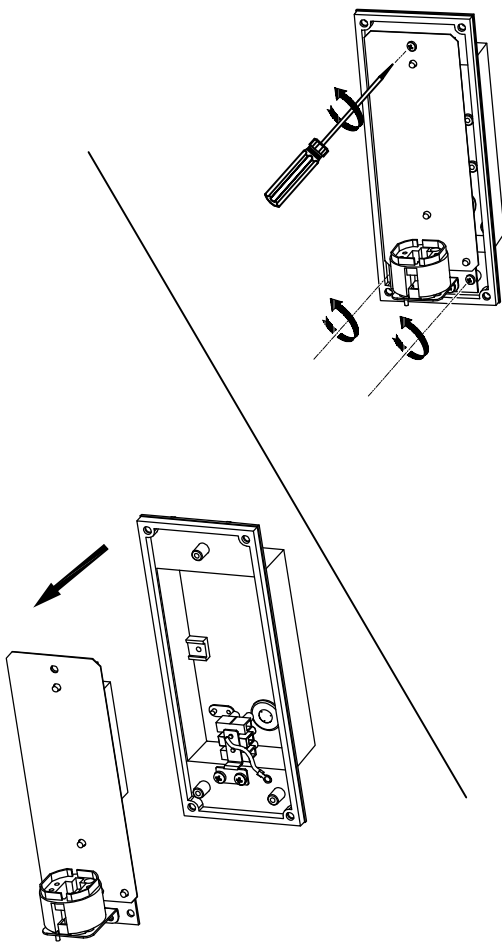
OUTDOOR

05-9230

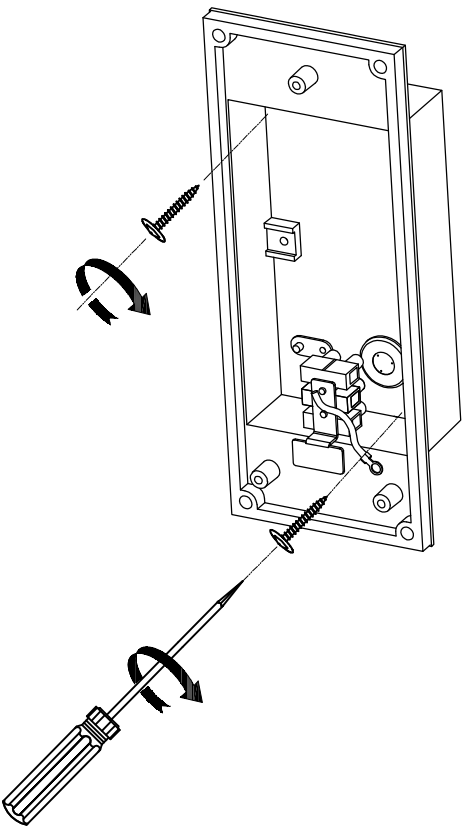
1



2



3



4

