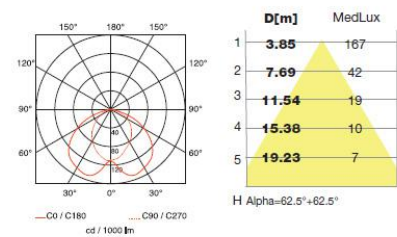
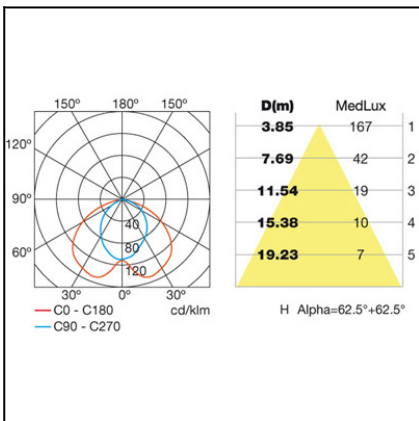




The photograph may not match the reference exactly. Please read the product description to identify the finish.

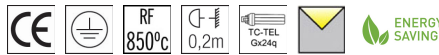


DESCRIPTION

Spotlight/floodlight with body produced in injected aluminium, with a tempered glass diffuser. Available for G12 HID (35W, 70W and 150W) light source and for compact fluorescent lamps (2 x GX24q-3 26W). Electrical components included. Discharge version includes 2 reflectors of 16° and 60°. Finished in light grey. Rotatable.

TECHNICAL CHARACTERISTICS

Type:	Wall fixture
Adjustable $\pm 45^\circ$ on the horizontal axis.	
IP Protection degrees:	IP65
IK Protection degrees:	IK08
Lampholder:	2 x GX24q3
Power (W):	GX24q3 26W
Voltage / Frequency:	230V/50-60Hz
Warranty (Years):	2
Units per box:	2
Net Weight (Kg):	4.111
EAN:	8435111050392,00



MATERIALS / FINISHES

Structure material: Injected aluminium

Diffuser material: Glass

Structure finish: Grey

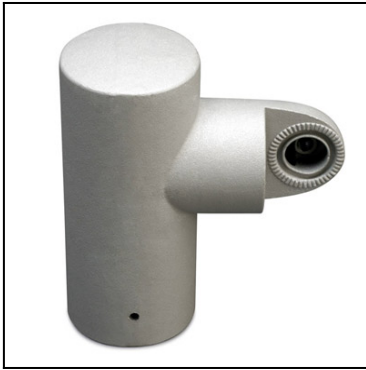
Diffuser finish: Tempered

GEAR

Gear included: Yes, electronic

Download photometric file .ldt / .ies

71-9291-34-34



Structure material:

Molten steel

Structure finish:

Grey

71-9292-34-34

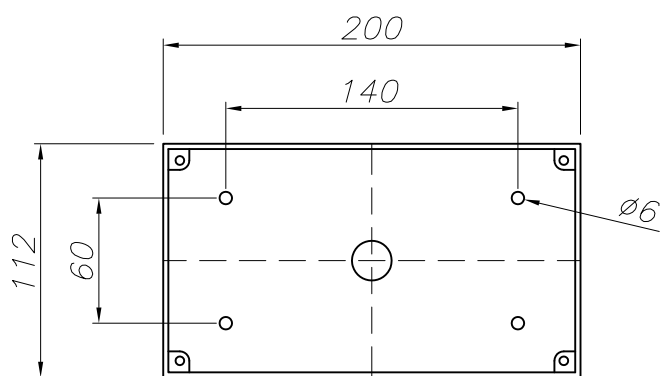
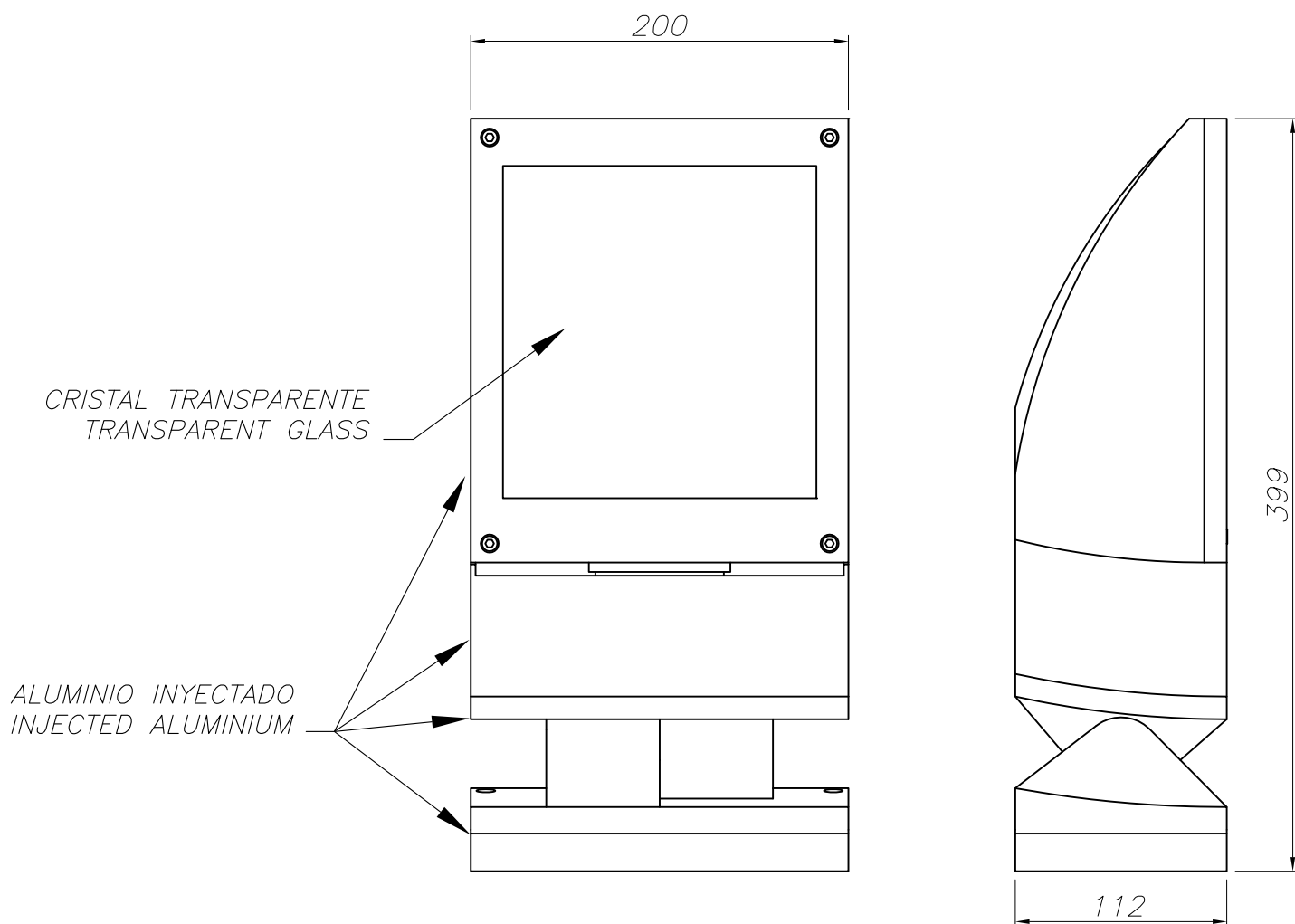


Structure material:

Molten steel

Structure finish:

Grey



PLANTILLA DE INSTALACIÓN
INSTALLATION TEMPLATE

05-9252 / 05-9253 / 05-9254
exploded

