

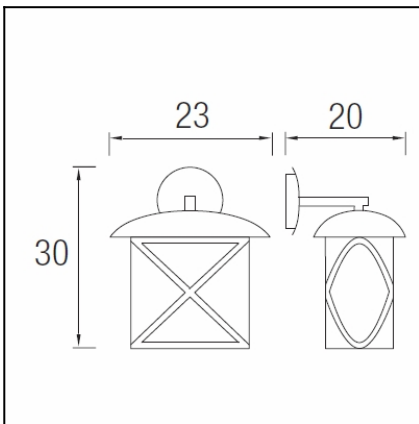
**OUT** 

# CROSS

## 05-9295-18-M3



The photograph may not match the reference exactly. Please read the product description to identify the finish.



Download photometric file .ldt /.ies

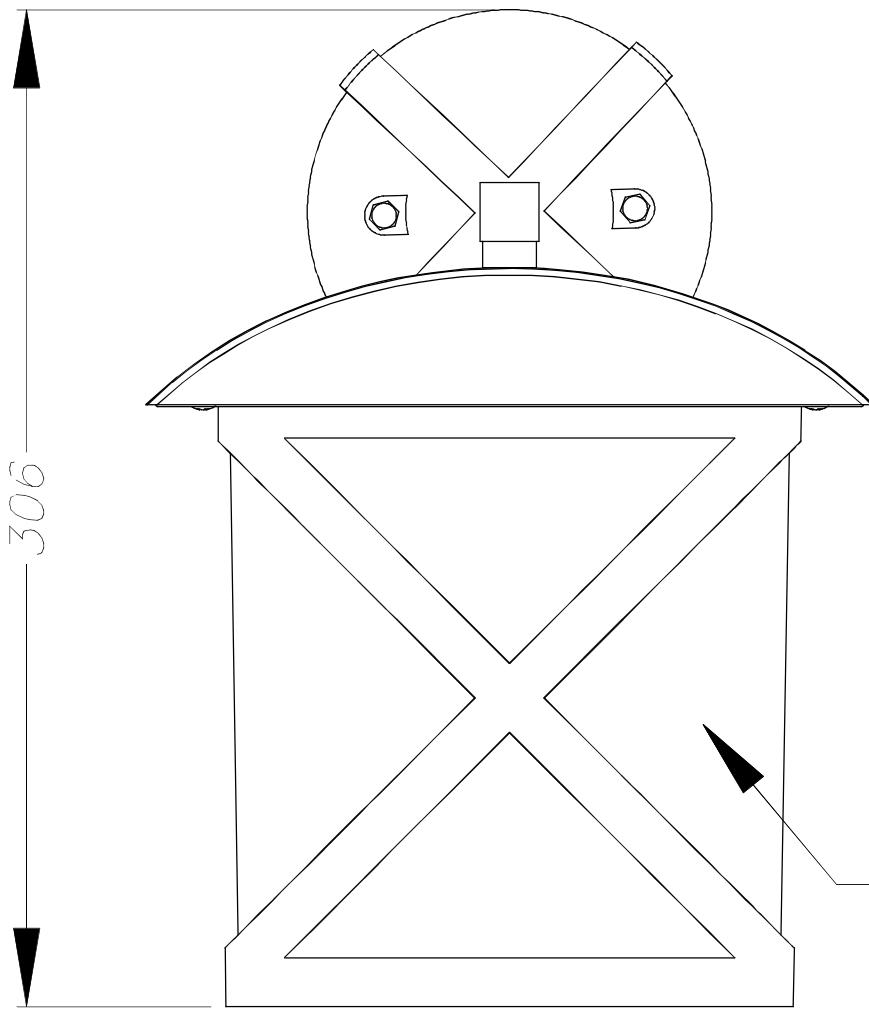
### TECHNICAL CHARACTERISTICS

Type:	Wall fixture
IP Protection degrees:	IP23
Lampholder:	1 x E27 1 x E27
Power (W):	E27 Max.100W E27 Max.100W
Total power consumption (W):	100
Voltage / Frequency:	220-240V/50-60Hz
Units per box:	4
Net Weight (Kg):	0.965
EAN:	8435111055694

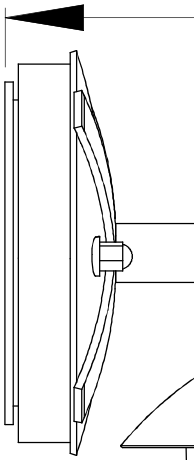
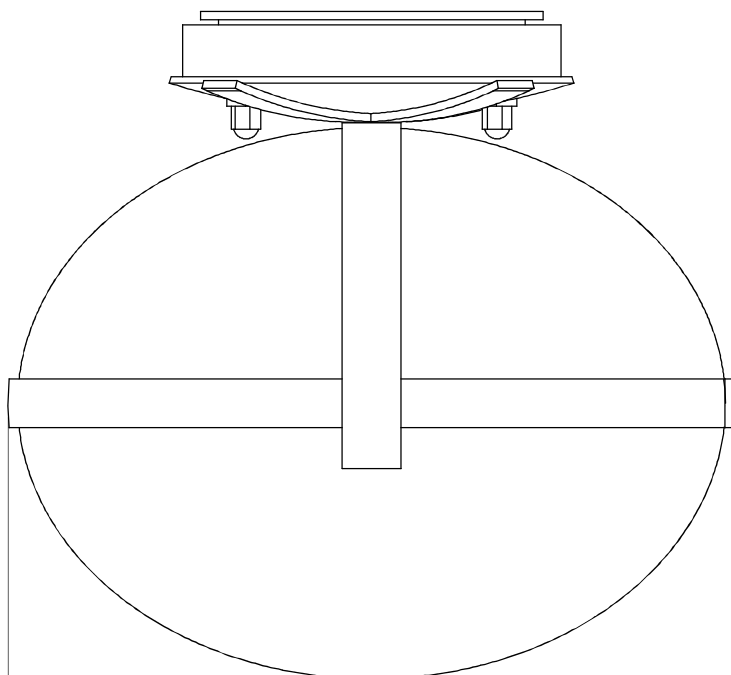


### MATERIALS / FINISHES

<b>Structure material:</b>	High purity aluminium	<b>Diffuser material:</b>	Polycarbonate
<b>Structure finish:</b>	Oxide brown	<b>Diffuser finish:</b>	Matt



PC MATE  
MATT PC

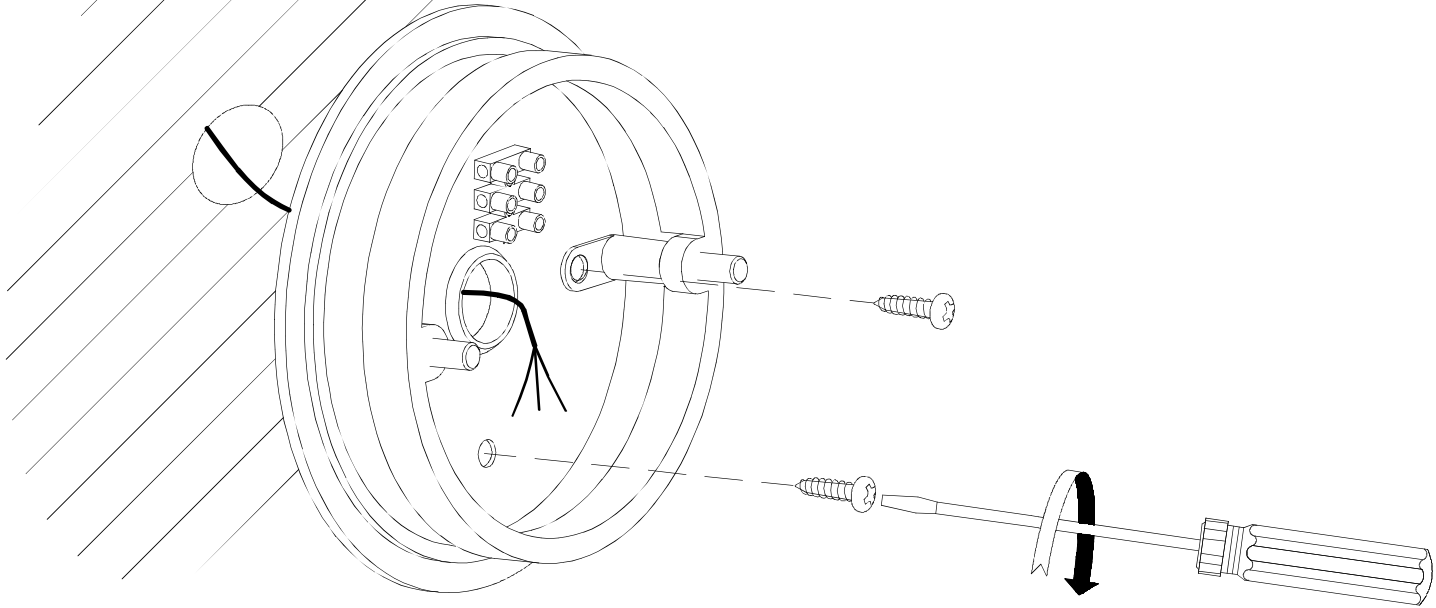




**LED S-C4**

**OUTD**

①



③

