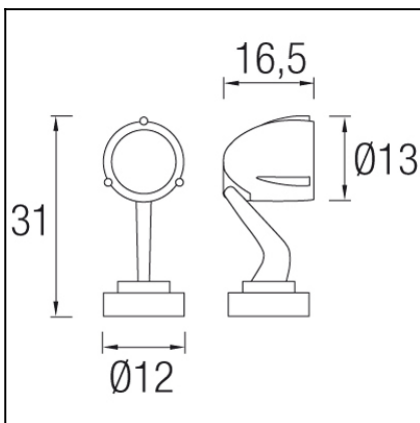




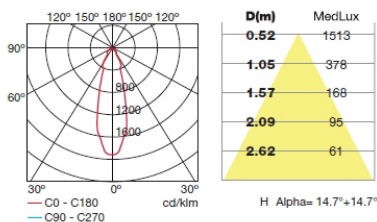
The photograph may not match the reference exactly. Please read the product description to identify the finish.


TECHNICAL CHARACTERISTICS

Type:	Spotlight
Adjustable +180° / -15° on the horizontal axis.	
Adjustable 360° on the vertical axis.	
IP Protection degrees:	IP65
IK Protection degrees:	IK05
Lampholder:	1 x E27
Power (W):	E27 Max.100W
Total power consumption (W):	100
Voltage / Frequency:	220-240V/50-60Hz
Warranty (Years):	2
Units per box:	4
Net Weight (Kg):	1.12
EAN:	8435111055700,00


MATERIALS / FINISHES

Structure material:	High purity aluminium	Diffuser material:	Glass
Structure finish:	Grey	Diffuser finish:	Transparent

Par-30 75W


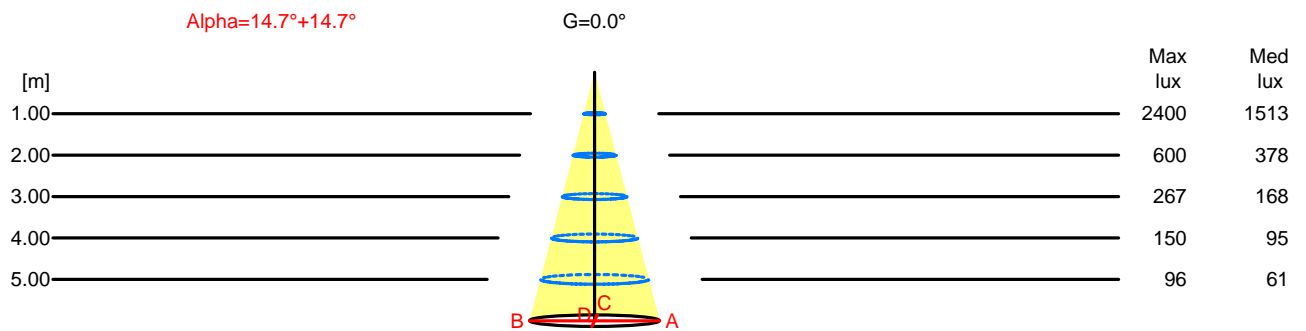
Download photometric file .ldt /.ies

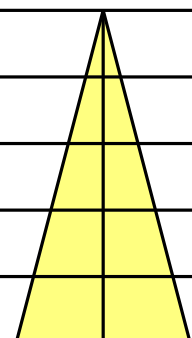

Luminaria Código 05-9296-34-Z5 Nombre ALIEN Familia - LEDS-C4		Ensayo Código LV26/01-97 Nombre GEA Fecha 01-00-0098		Lámpara Código Número 1 Posición	
Eficiencia	100.10%	Sist. de Coorden.	C-G	Flujo Total	1234.00 lm
Valor Máximo	2400.13 cd	Posición	C=0.00 G=0.00	Rotosimétrico	

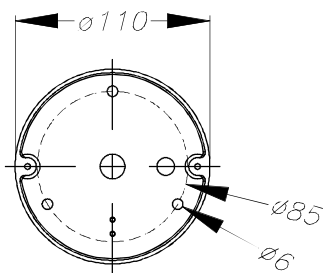
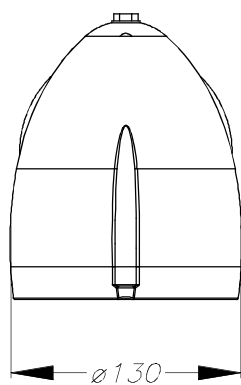
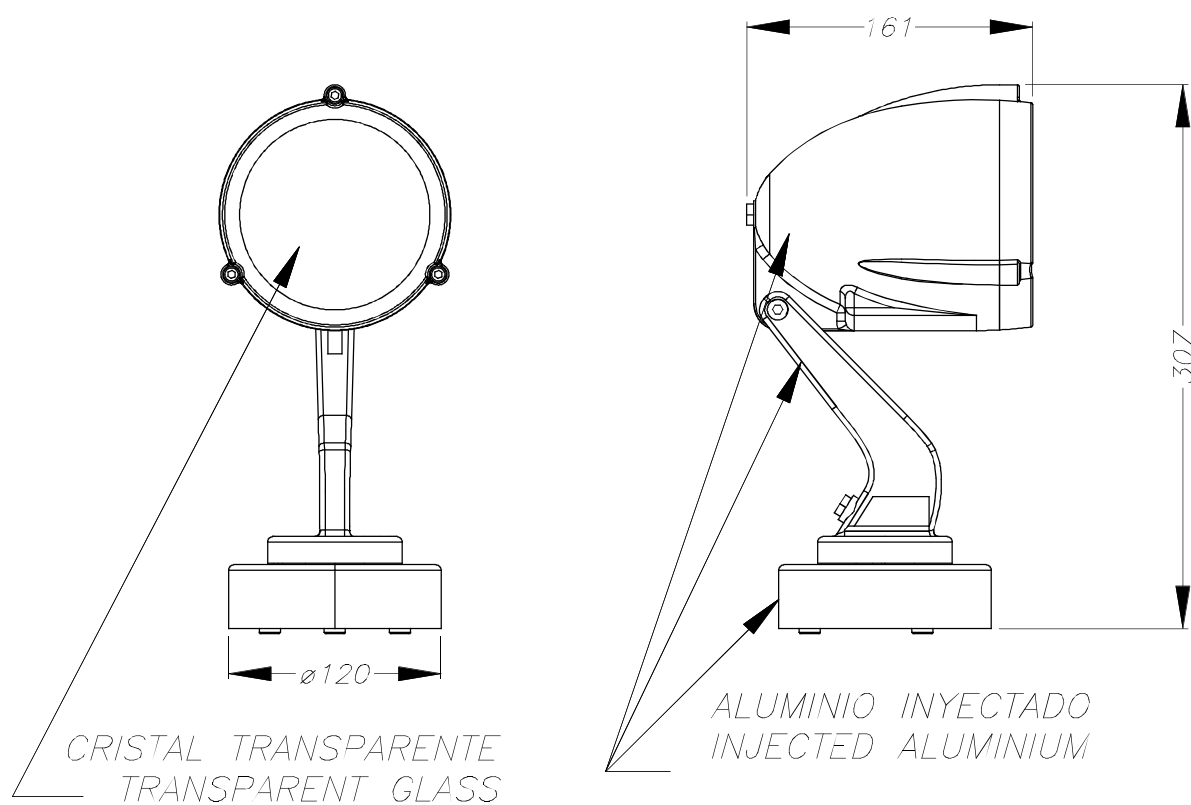
Apertura a 50.00 % de MaxLux

H[m]	1.00	2.00	3.00	4.00	5.00	H[m]	1.00	2.00	3.00	4.00	5.00
OA	0.26	0.52	0.79	1.05	1.31	OC	0.26	0.52	0.79	1.05	1.31
OB	0.26	0.52	0.79	1.05	1.31	OD	0.26	0.52	0.79	1.05	1.31

		Intensidades Luminosas [cd]									
	0	5	15	25	35	45	55	65	75	85	
OA	2400.13	2237.24	1160.95	461.27	216.69	150.67	123.28	68.61	21.35	4.94	
OB	2400.13	2237.24	1160.95	461.27	216.69	150.67	123.28	68.61	21.35	4.94	
OC	2400.13	2237.24	1160.95	461.27	216.69	150.67	123.28	68.61	21.35	4.94	
OD	2400.13	2237.24	1160.95	461.27	216.69	150.67	123.28	68.61	21.35	4.94	



H[m]	D[m]	MaxLux	MedLux	Alpha=14.7°+14.7°	G=0.0
1.00	0.52	2400	1513		
2.00	1.05	600	378		
3.00	1.57	267	168		
4.00	2.09	150	95		
5.00	2.62	96	61		



PLANTILLA DE INSTALACIÓN
INSTALLATION TEMPLATE

