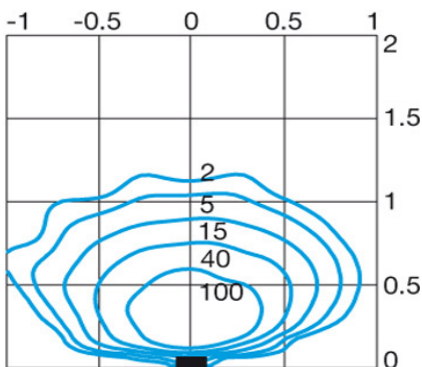
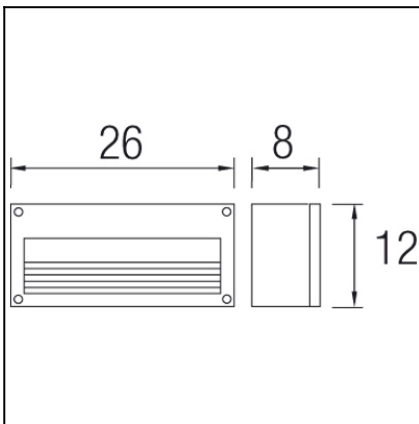


OUT 

MICENAS
05-9315-Z5-B8



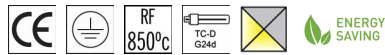
The photograph may not match the reference exactly. Please read the product description to identify the finish.



H=0.4M  lux
Download photometric file .ldt / .ies

TECHNICAL CHARACTERISTICS

Type:	Wall fixture
IP Protection degrees:	IP54
IK Protection degrees:	IK06
Lampholder:	1 x G24d3
Power (W):	G24d3 26W
Voltage / Frequency:	220-240V/50Hz
Warranty (Years):	2
Units per box:	6
Net Weight (Kg):	1.67
EAN:	8435111055854,00



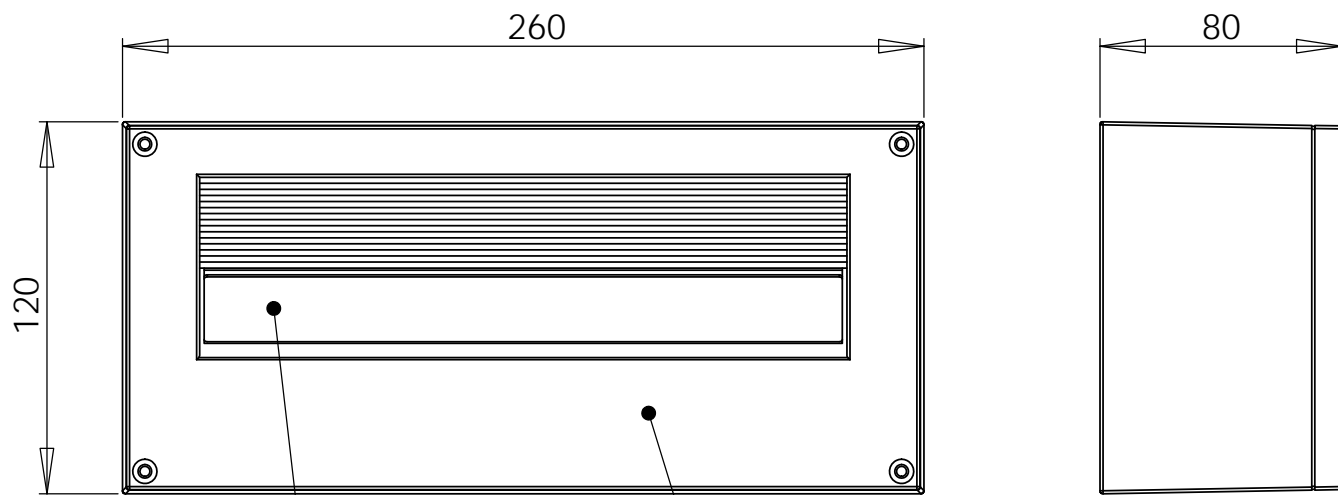
MATERIALS / FINISHES

Structure material: Injected aluminium
Structure finish: Urban grey

Diffuser material: Glass
Diffuser finish: Satin

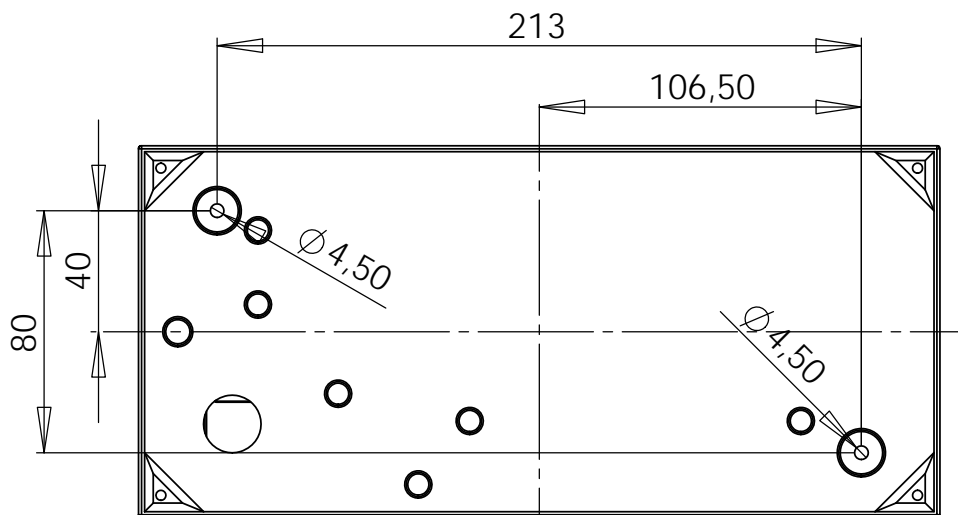
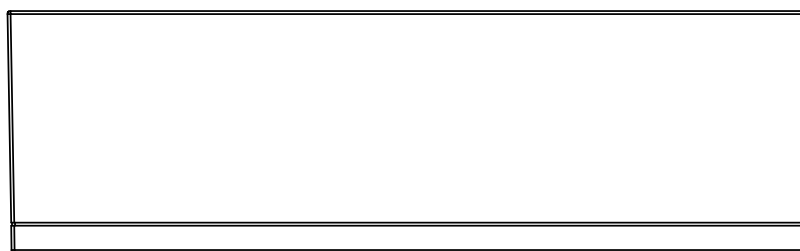
GEAR

Gear included: Yes, Magnetic



Aluminio inyectado de alta pureza
High quality Injected aluminium


Difusor de cristal satinado
Satin glass difuser



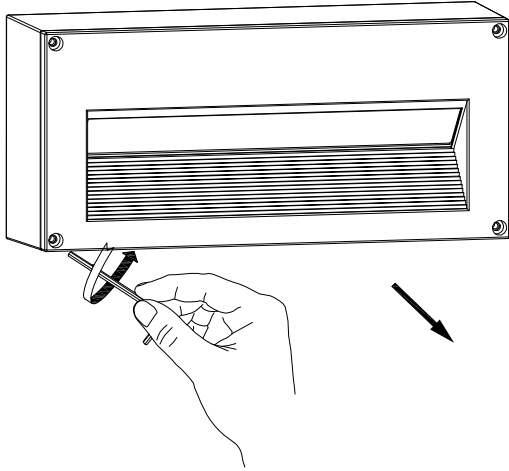
Plantilla de instalación
Installation Backplate

© Leds C-4. All rights reserved. Copying and / or reproduction prohibited without written authorization of LEDS-C4.

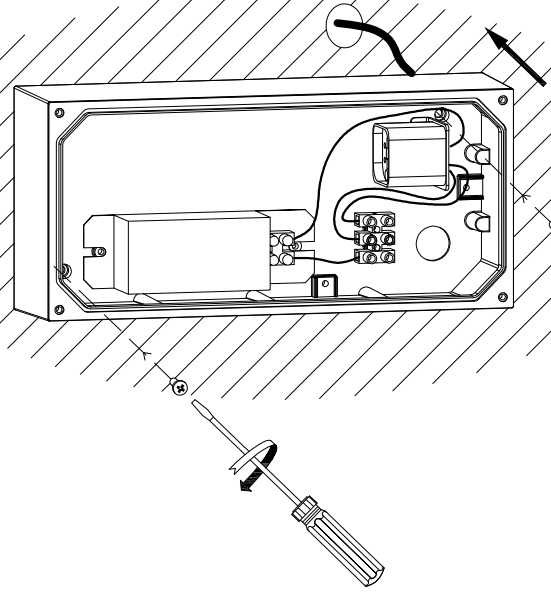
© Leds C-4. Todos los derechos reservados. Se prohíbe su utilización o reproducción total o parcial sin permiso por escrito de LEDS C4.

Tolerancias generales TOL-GRAL		Proyecto: MICENAS		CRITERIOS DE CONTROL		
	Fecha	Nombre	Escala 1:2.5	Inspección Dimensional	INSP-DIM	
Dibujado	20/10/2011	M.BALAGUER		Inspección Visual	INSP-VIS	
Comprob.	20/10/2011	J.PARÉS	Denominación 05-9315 P			

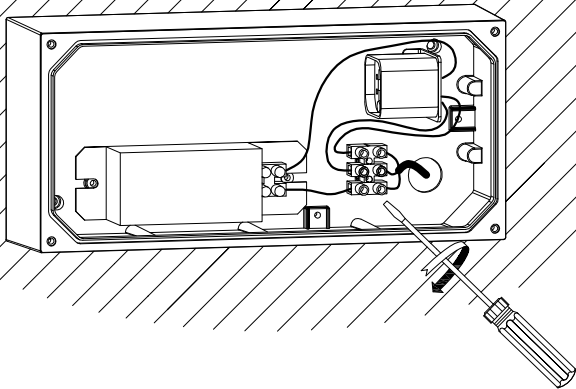
①



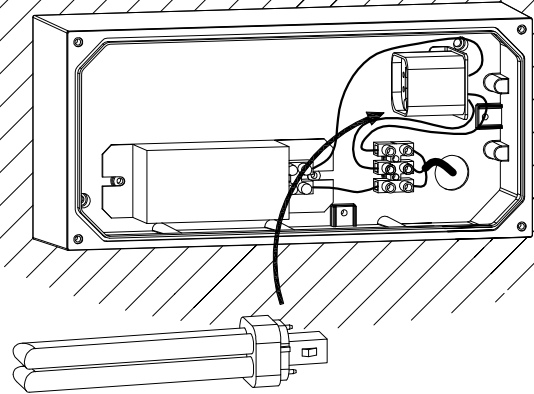
②



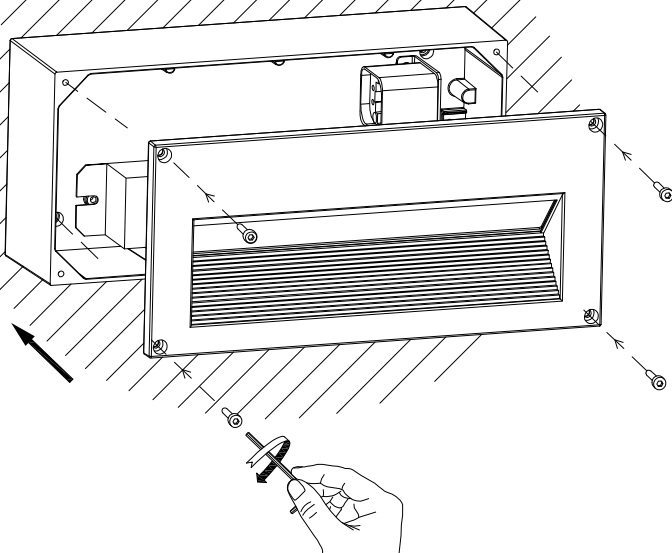
③



④



⑤



⑥

