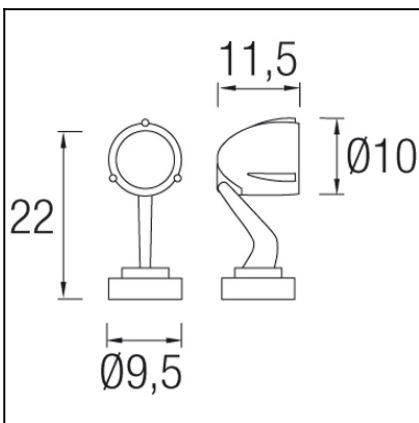
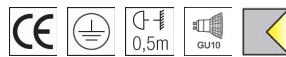




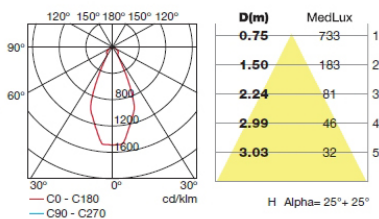
The photograph may not match the reference exactly. Please read the product description to identify the finish.


TECHNICAL CHARACTERISTICS

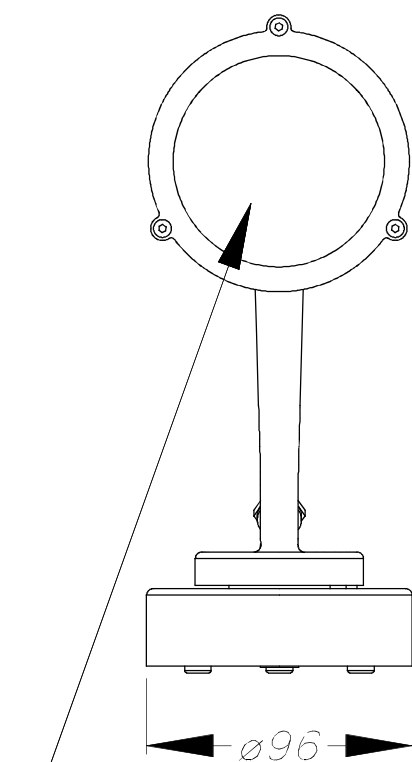
Type:	Spotlight
Adjustable +180° / -15° on the horizontal axis.	
Adjustable 360° on the vertical axis.	
IP Protection degrees:	IP65
IK Protection degrees:	IK05
Lampholder:	1 x GU10
Power (W):	GU10 Max.50W
Total power consumption (W):	50
Voltage / Frequency:	220-240V/50-60Hz
Units per box:	8
Net Weight (Kg):	0.575
EAN:	8435111061992


MATERIALS / FINISHES

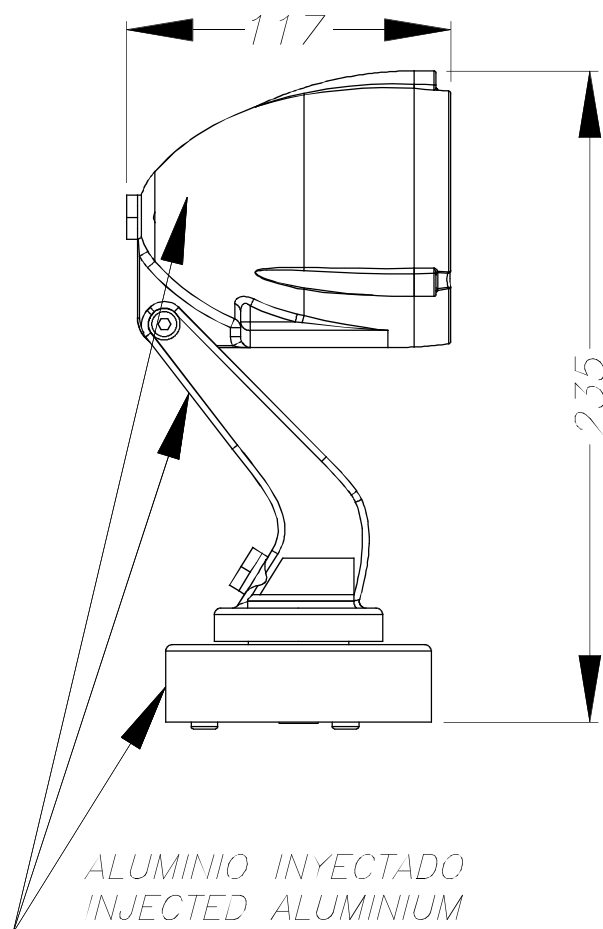
Structure material:	High purity aluminium	Diffuser material:	Glass
Structure finish:	Grey	Diffuser finish:	Transparent

GU-10 50W


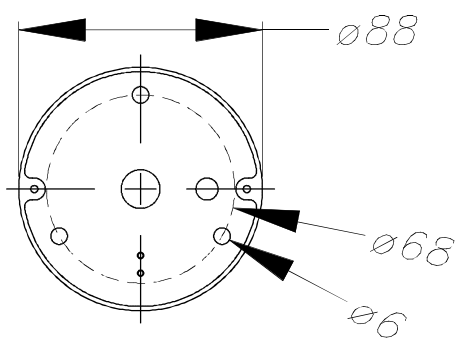
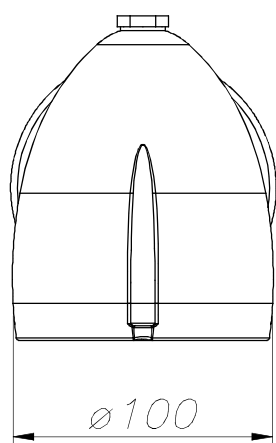
Download photometric file .ldt / .ies



CRISTAL TRANSPARENTE
TRANSPARENT GLASS



ALUMINIO INYECTADO
INJECTED ALUMINIUM



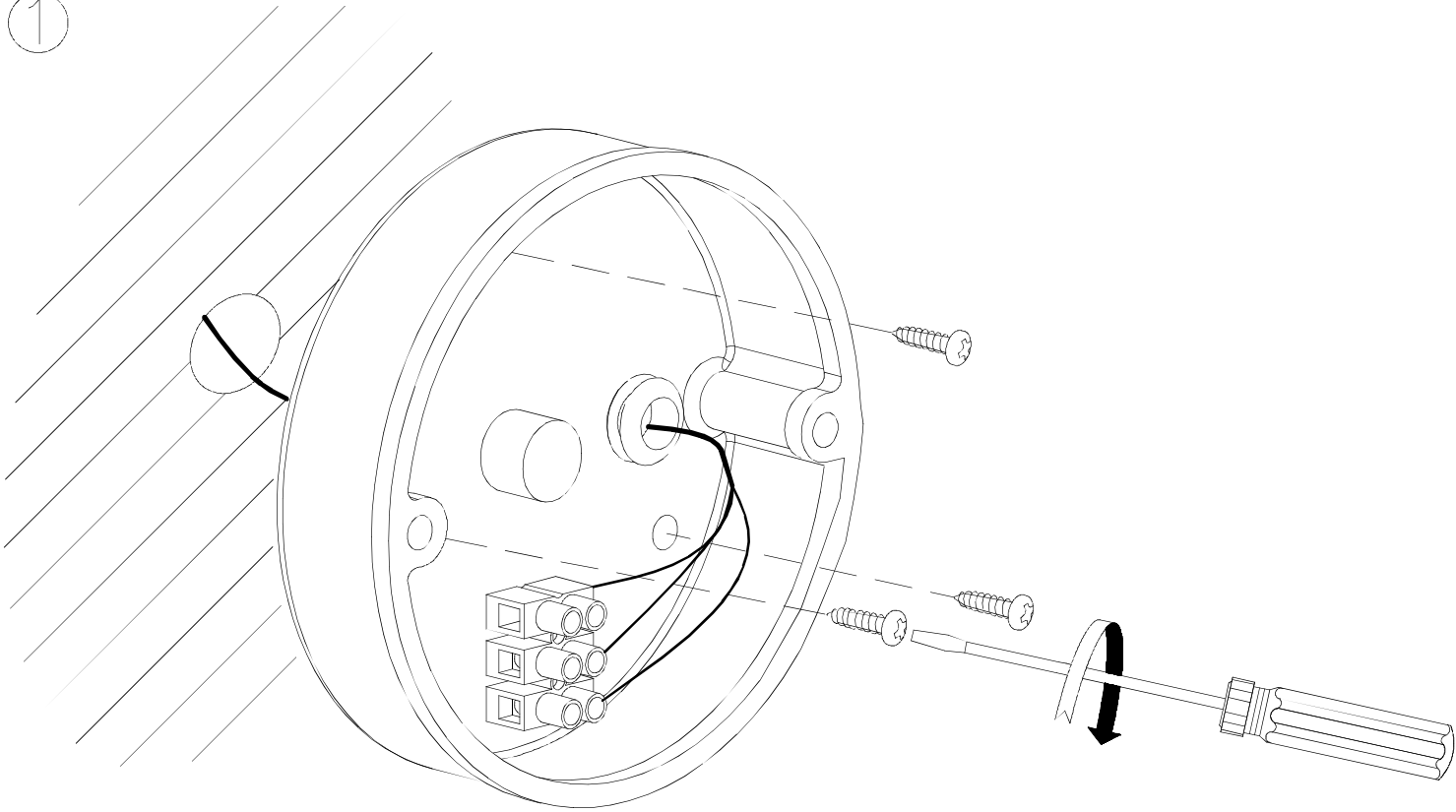
PLANTILLA DE INSTALACIÓN
INSTALLATION TEMPLATE



LEDS-C4

OUTD

①



③

