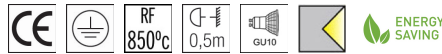
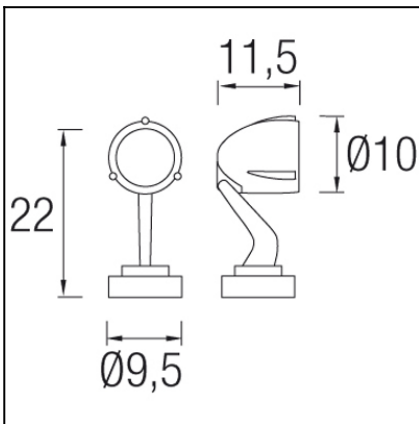


**OUT** 
**ALIEN**
**05-9327-Z5-37**


The photograph may not match the reference exactly. Please read the product description to identify the finish.

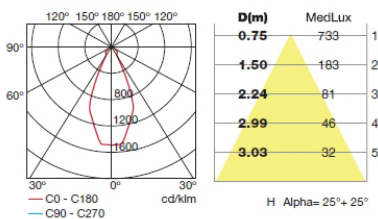
**TECHNICAL CHARACTERISTICS**

|                              |                  |
|------------------------------|------------------|
| Type:                        | Spotlight        |
| IP Protection degrees:       | IP65             |
| IK Protection degrees:       | IK05             |
| Lampholder:                  | 1 x GU10         |
| Power (W):                   | GU10 Max.50W     |
| Total power consumption (W): | 50               |
| Voltage / Frequency:         | 220-240V/50-60Hz |
| Warranty (Years):            | 2                |
| Units per box:               | 8                |
| Net Weight (Kg):             | 0.575            |
| EAN:                         | 8435111062005,00 |

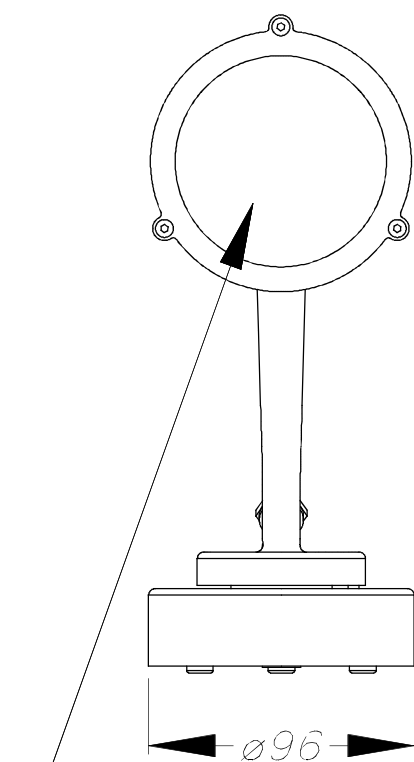

**MATERIALS / FINISHES**

**Structure material:** High purity aluminium  
**Structure finish:** Urban grey

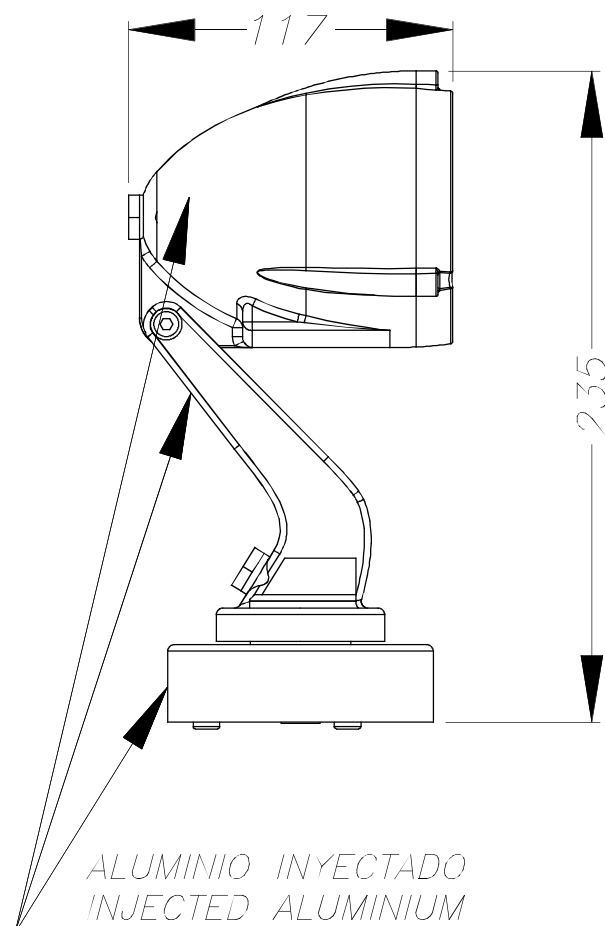
**Diffuser material:** Glass  
**Diffuser finish:** Transparent

**GU-10 50W**


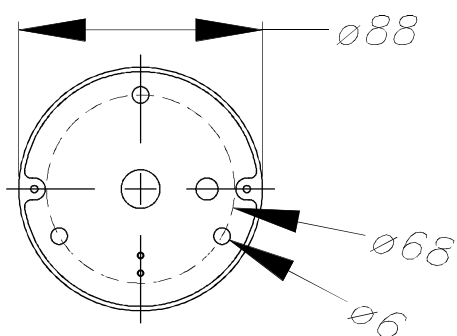
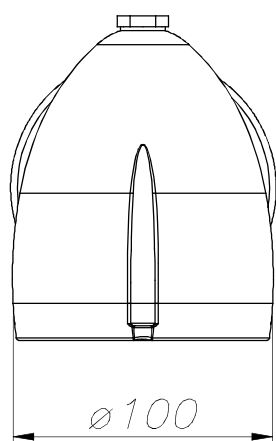
Download photometric file .ldt / .ies



CRISTAL TRANSPARENTE  
TRANSPARENT GLASS



ALUMINIO INYECTADO  
INJECTED ALUMINIUM



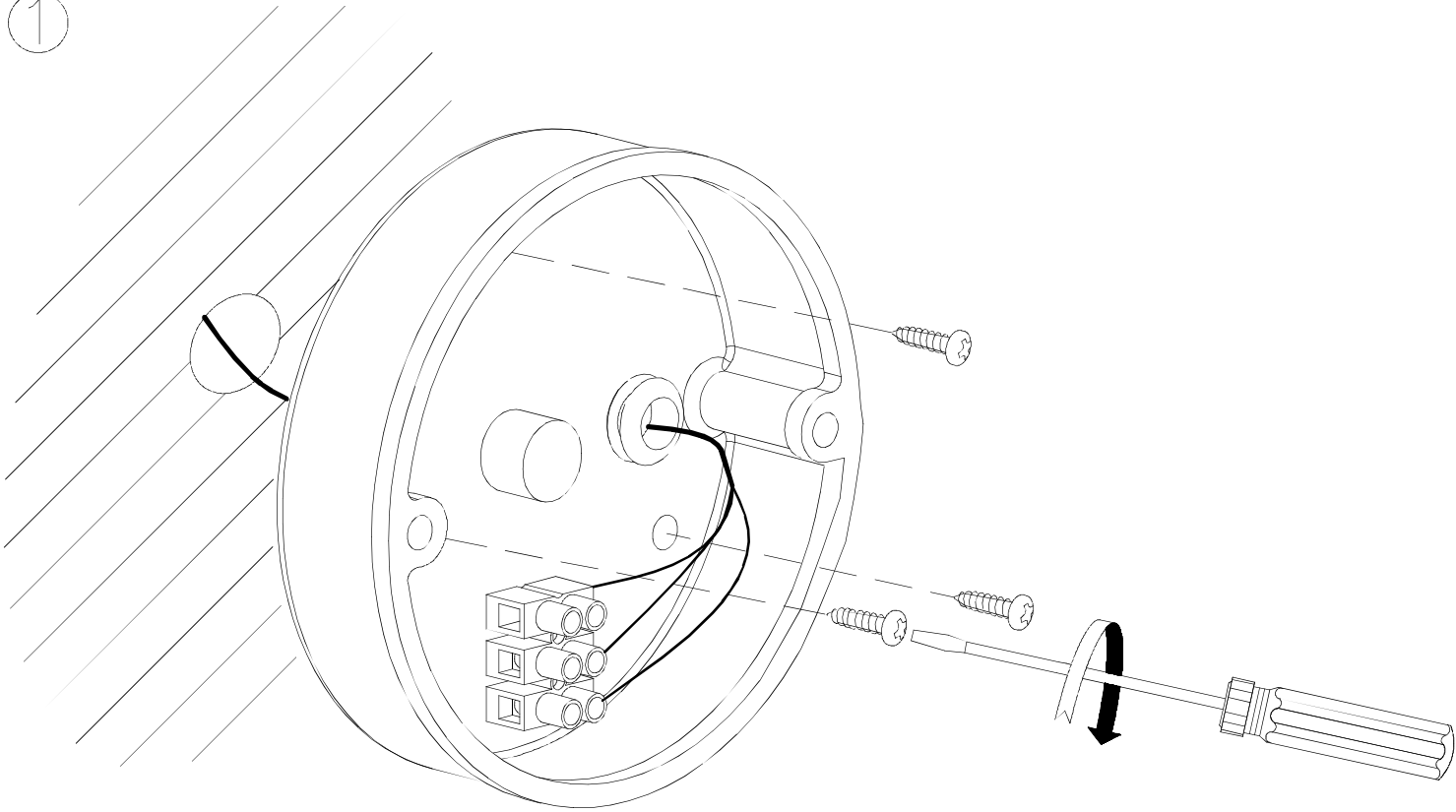
PLANTILLA DE INSTALACIÓN  
INSTALLATION TEMPLATE



**LEDS-C4**

**OUTD**

①



③

