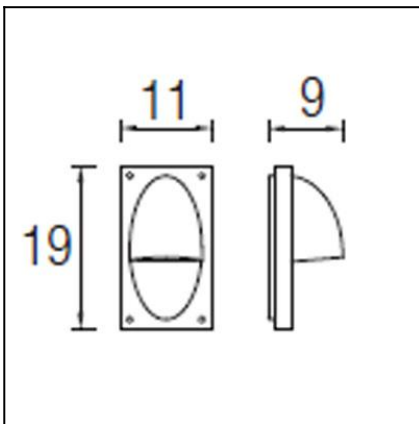




The photograph may not match the reference exactly. Please read the product description to identify the finish.



TECHNICAL CHARACTERISTICS

Type:	Wall fixture
IP Protection degrees:	IP54
IK Protection degrees:	IK07
Lampholder:	1 x GU10
Power (W):	GU10 MAX 50W
Bulb included:	1 x GU10 50W
Total power consumption (W):	50
Voltage / Frequency:	230V/50-60Hz
Units per box:	6
Net Weight (Kg):	0.575
EAN:	8435111066997



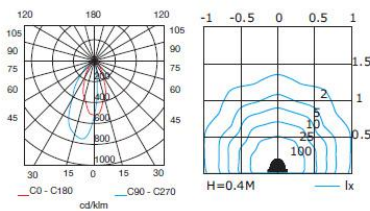
MATERIALS / FINISHES

Structure material: Injected aluminium

Structure finish: Brown

Diffuser material: Glass

Diffuser finish: Sandblasted

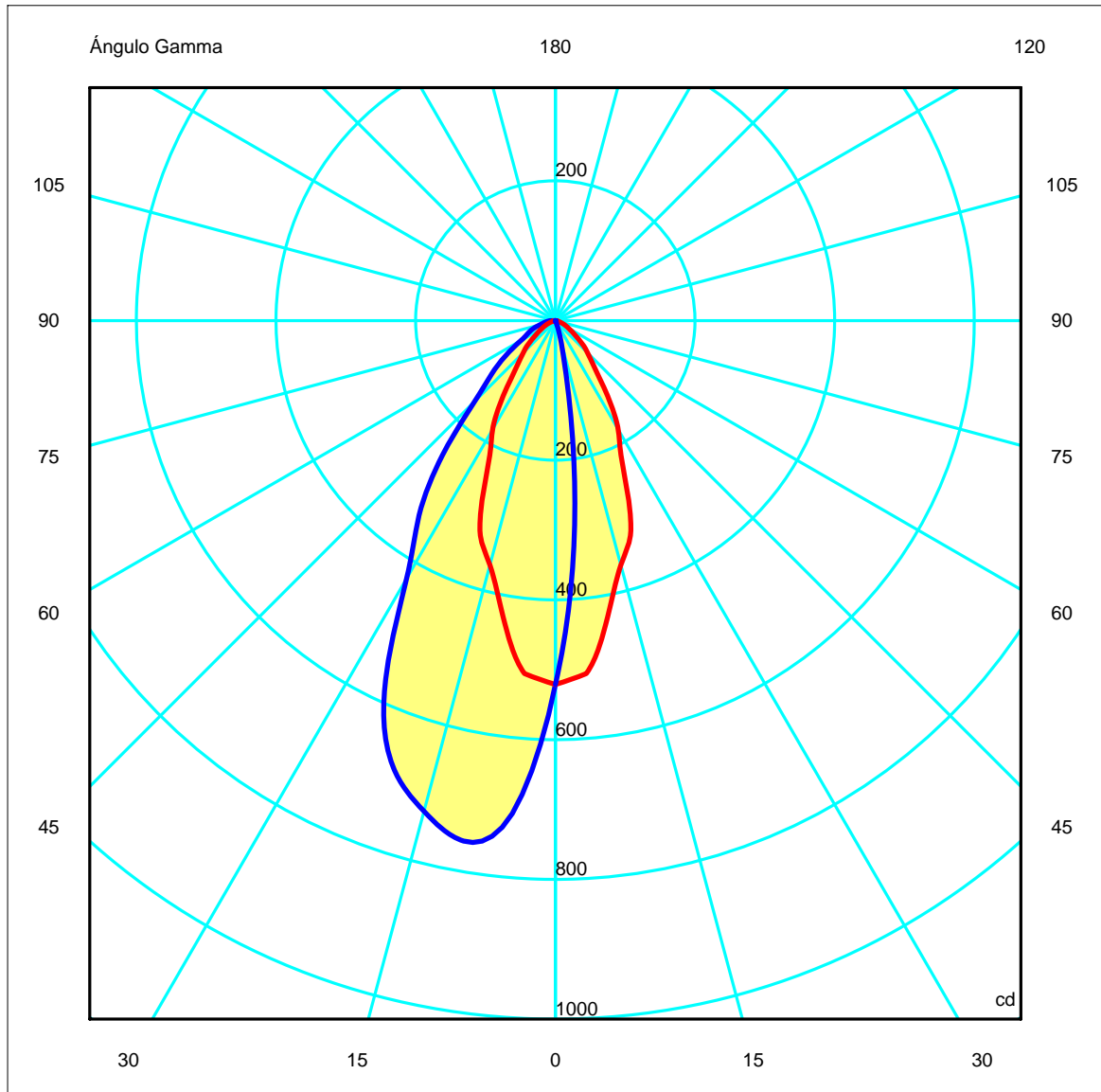
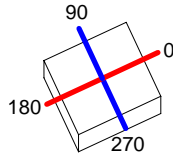
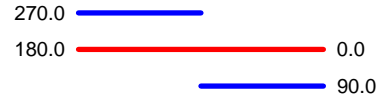


Download photometric file .ldt / .ies

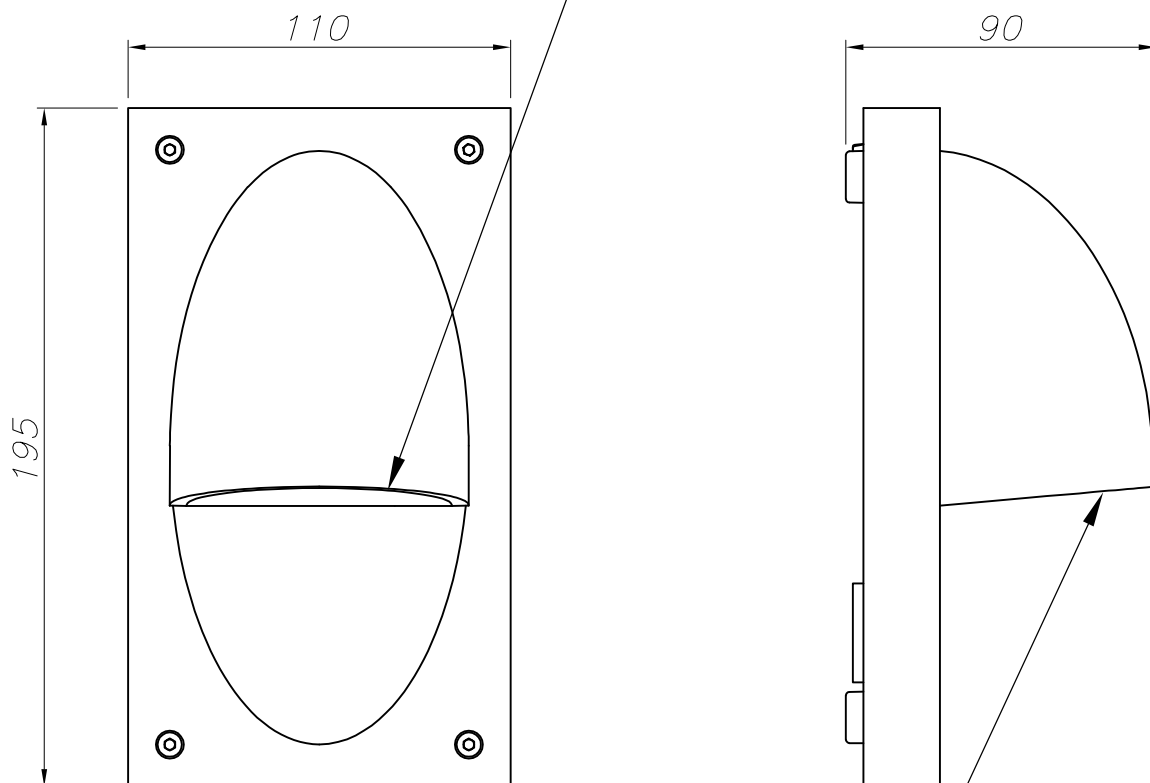
Luminaria		Ensayo		Lámpara	
Código	05-9344-J6-T2	Código	05-9344-J6-T2	Código	H66660
Nombre	Alfa 50W GU10 difusor opal	Nombre	ALFA 50W GU10 dif. opal	Número	1
Familia	- LEDS-C4	Fecha	27-08-2009	Posición	Universal
Eficiencia	54.15%	Sist. de Coorden.	C-G	Flujo Total	820.00 lm
Valor Máximo	827.52 cd	Posición	C=300.00 G=10.00	Sim. en los planos	270-90

90mm x 100mm

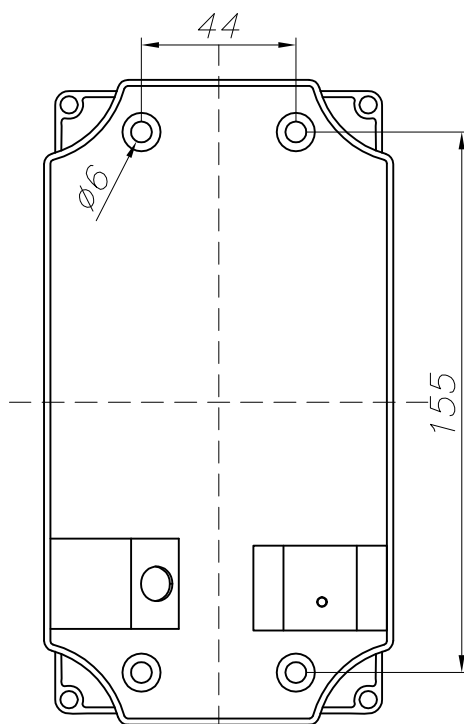
Semiplanos C



CRISTAL TRANSPARENTE ARENADO INTERIOR
TRANSPARENT GLASS SANDFROSTED INSIDE

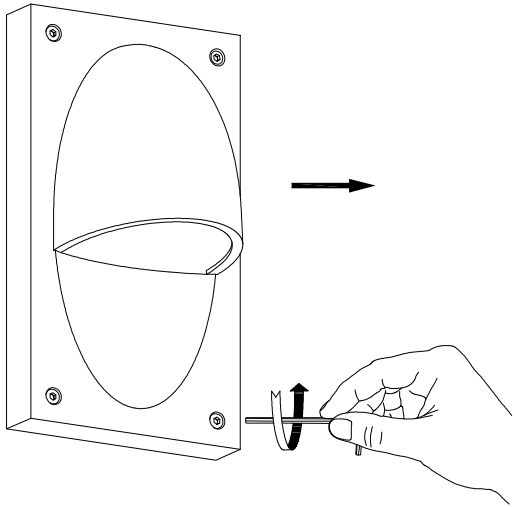


ALUMINIO DE ALTA PUREZA/ACERO INOXIDABLE AISI 304
HIGH QUALITY ALUMINIUM/STAINLESS STEEL AISI 304

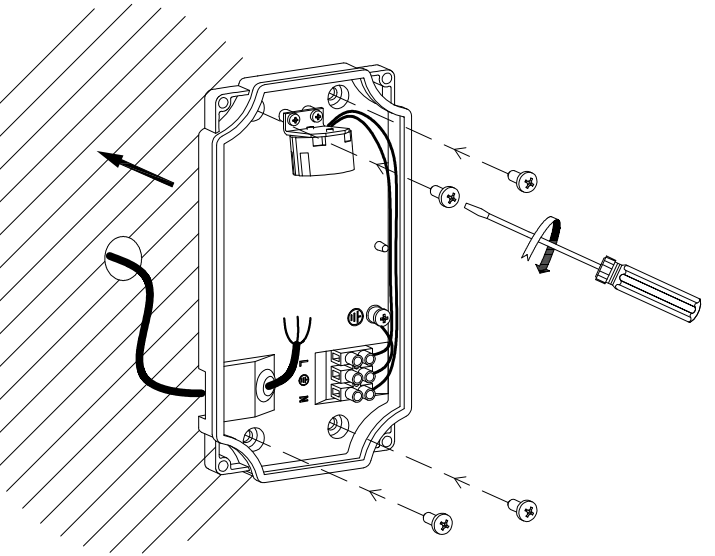


PLANTILLA DE INSTALACIÓN
INSTALLATION TEMPLATE

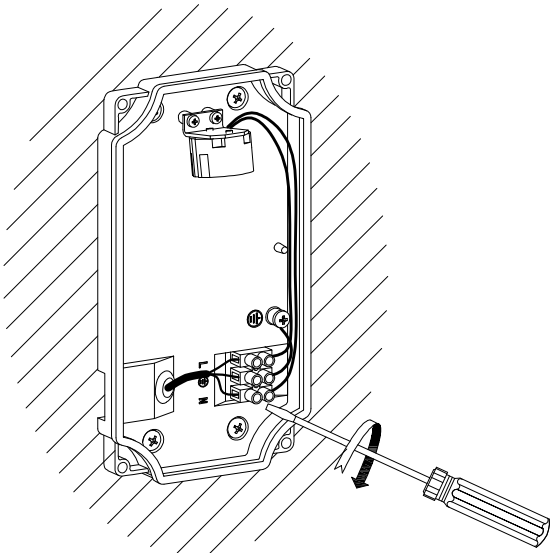
①



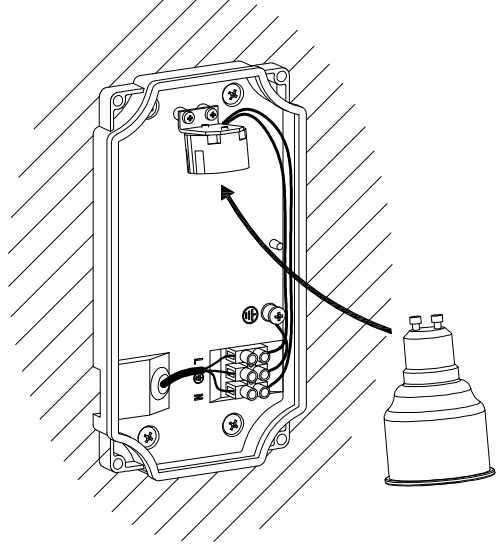
②



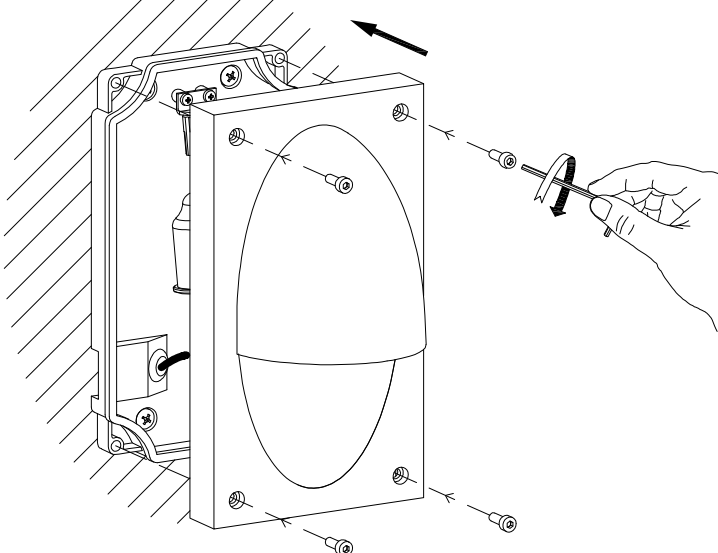
③



④



⑤



⑥

