

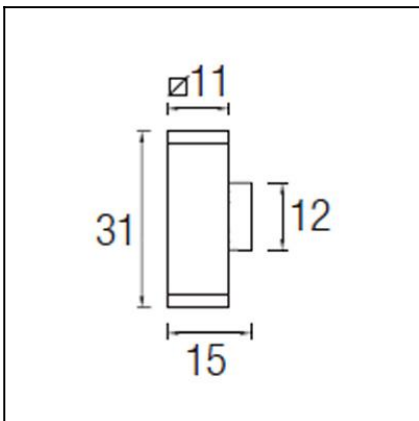
**OUT** 

# AFRODITA

## 05-9368-Z5-37



The photograph may not match the reference exactly. Please read the product description to identify the finish.



### TECHNICAL CHARACTERISTICS

Type:	Wall fixture
IP Protection degrees:	IP65
IK Protection degrees:	IK06
Lampholder:	2 x E27/PAR-30
Power (W):	E27/PAR-30 MAX 75W
Total power consumption (W):	150
Voltage / Frequency:	230V/50-60Hz
Warranty (Years):	2
Units per box:	6
Net Weight (Kg):	1.8
EAN:	8435111067154,00

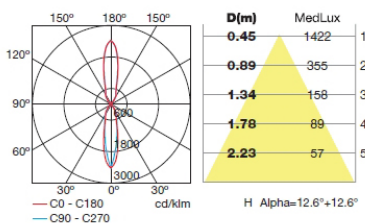


### MATERIALS / FINISHES

**Structure material:** High purity aluminium  
**Structure finish:** Urban grey

**Diffuser material:** Glass  
**Diffuser finish:** Tempered

2 x Par-30 75W



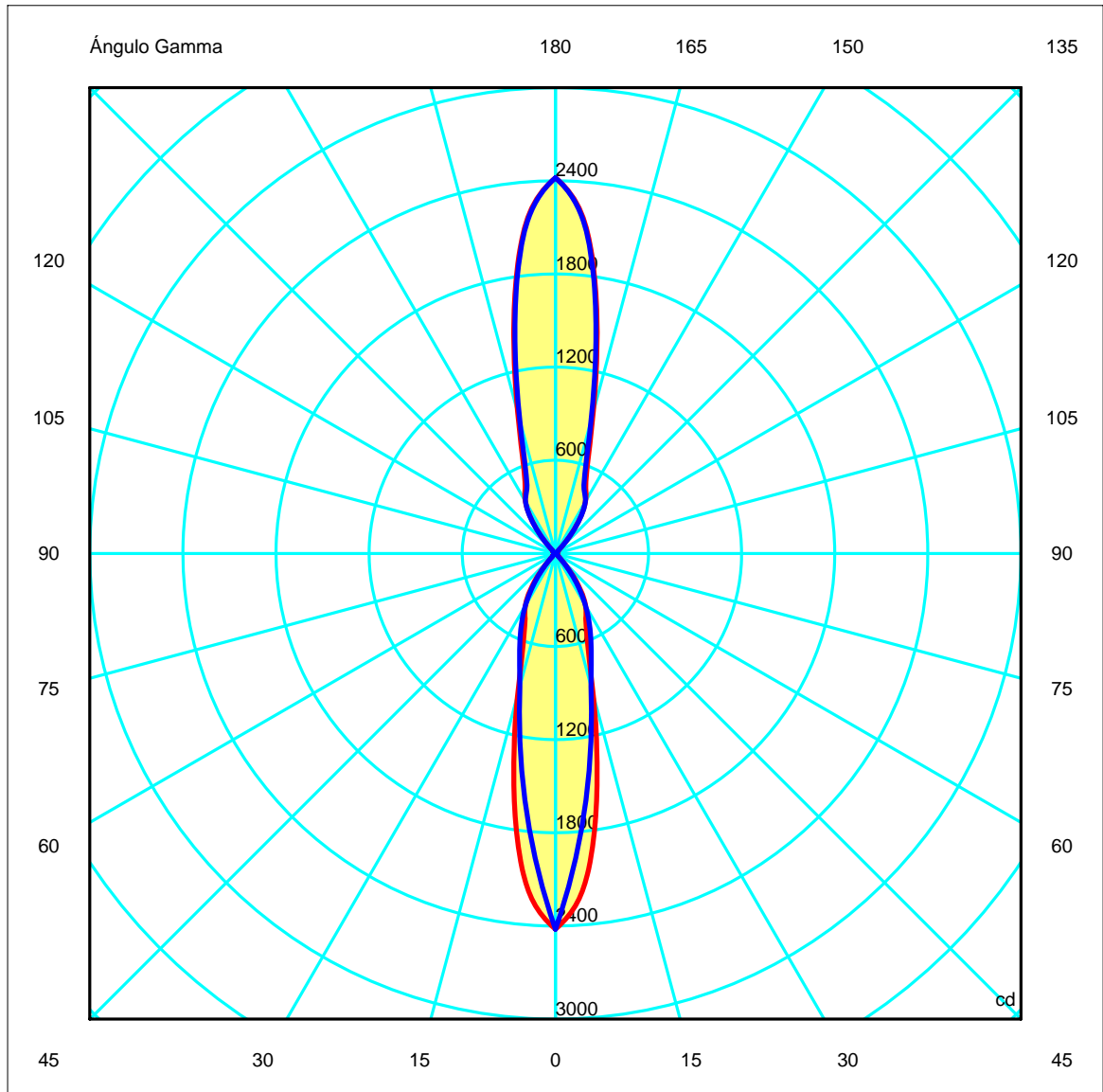
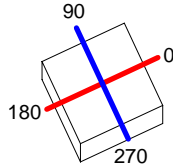
Download photometric file .ldt /.ies

<b>Luminaria</b>		<b>Ensayo</b>		<b>Lámpara</b>	
Código	05-9368-34-37	Código	05-9368-34-37	Código	Hi-Spot 95-CB 75W 30
Nombre	AFRODITA 2x75W PAR 30	Nombre	Afrodita 2x75W PAR 30	Número	2
Familia	- LEDS-C4	Fecha	28-08-2009	Posición	Universal
Eficiencia	86.74%	Sist. de Coorden.	C-G	Flujo Total	2200.00 lm
Valor Máximo	2419.99 cd	Posición	C=0.00 G=0.00	Bisimétrico	

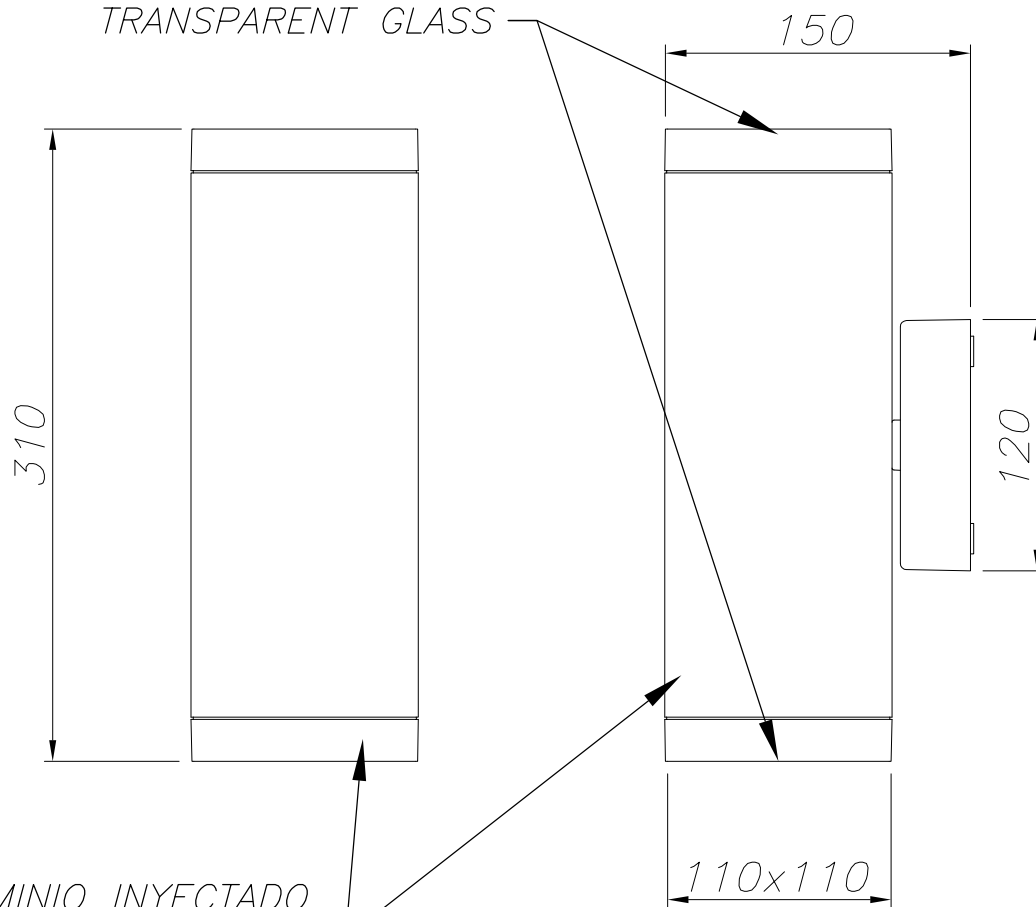
110mm x 110mm

Semiplanos C

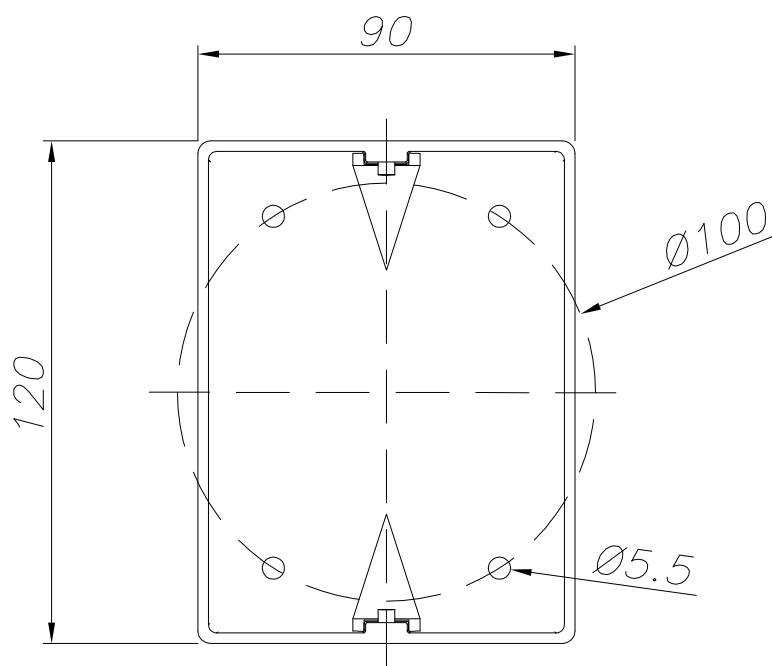
180.0 ——— 0.0  
270.0 ——— 90.0



CRISTAL TRANSPARENTE  
TRANSPARENT GLASS



ALUMINIO INYECTADO  
INJECTED ALUMINUM



PLANTILLA DE INSTALACIÓN  
INSTALLATION TEMPLATE



LED S-C4

# OUTDOOR

05-9368

