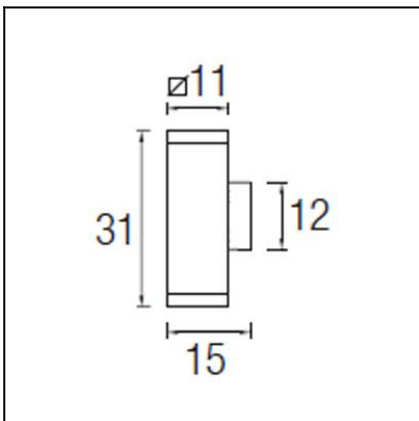


The photograph may not match the reference exactly. Please read the product description to identify the finish.

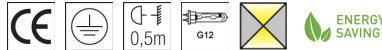


DESCRIPTION

Straight edged lamp designed for lighting vertical surfaces. Injected aluminium body and tempered glass diffuser. Available in various sizes and finishes: white, light grey, dark grey and brown. Available in different wattages for metal halide lamps, LED and fluorescent lights.

TECHNICAL CHARACTERISTICS

Type:	Wall fixture
IP Protection degrees:	IP65
IK Protection degrees:	IK08
Lampholder:	1 x G12
Power (W):	G12 HIT-T-70W
Voltage / Frequency:	230V/50Hz
Units per box:	2
Net Weight (Kg):	4.735
EAN:	8435111067161



MATERIALS / FINISHES

Structure material: High purity aluminium

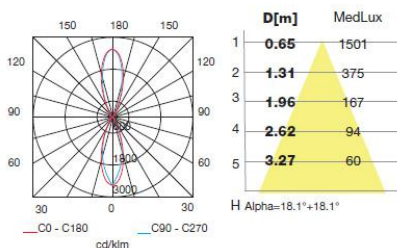
Diffuser material: Glass

Structure finish: Grey

Diffuser finish: Tempered

GEAR

Gear included: Yes, Magnetic



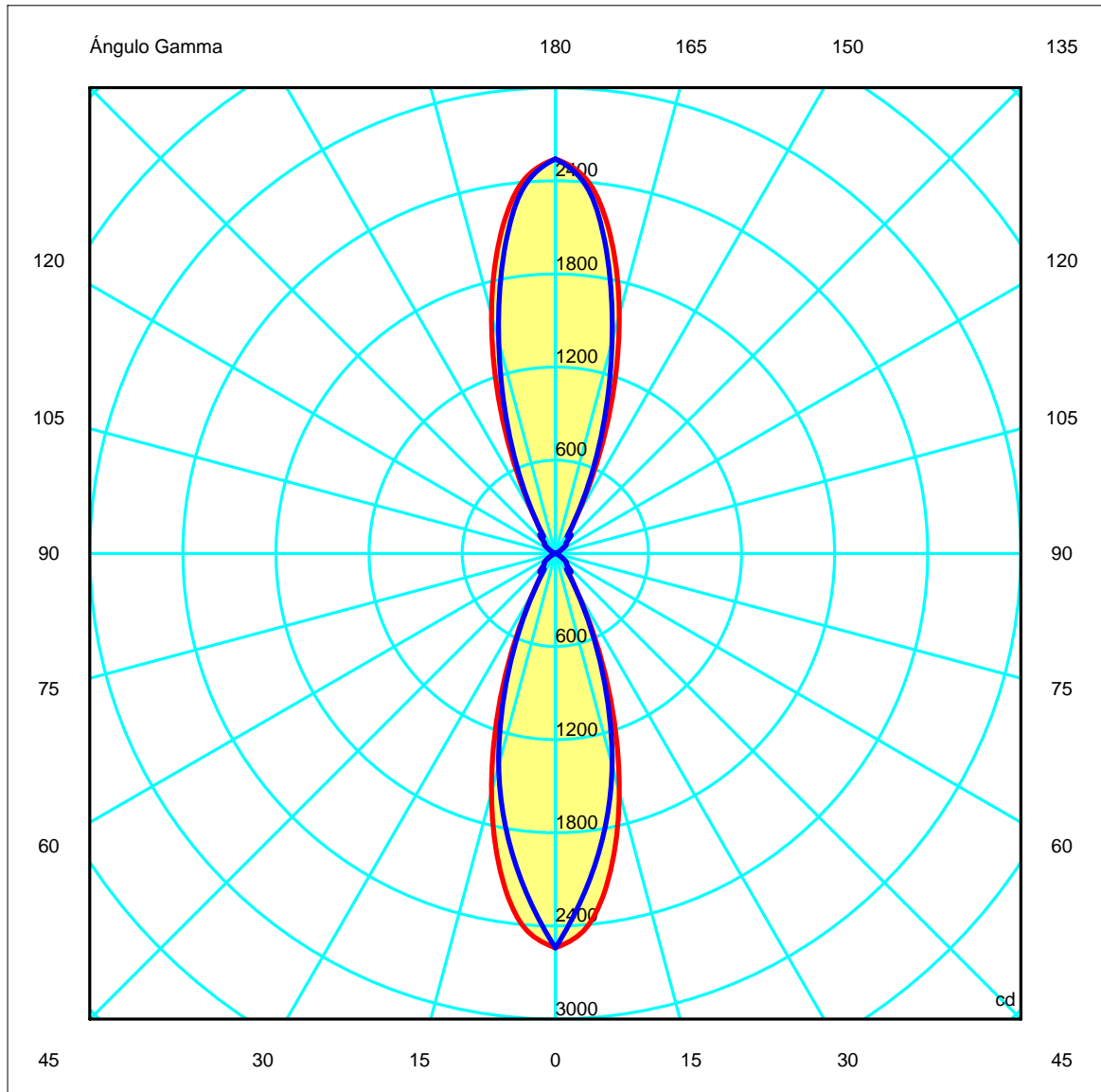
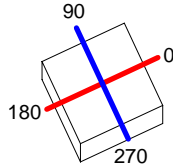
Download photometric file .ldt / .ies

Luminaria		Ensayo		Lámpara	
Código	05-9369-34-37 A	Código	05-9369-34-37 A	Código	CDM-T70W/830
Nombre	AFRODITA CDM-T 70W 2 reflector	Nombre	Afrodita CDM-T 70W Iguales	Número	1
Familia	- LEDS-C4	Fecha	26-08-2009	Posición	Universal
Eficiencia	37.68%	Sist. de Coorden.	C-G	Flujo Total	6600.00 lm
Valor Máximo	2540.46 cd	Posición	C=0.00 G=0.00	Bisimétrico	

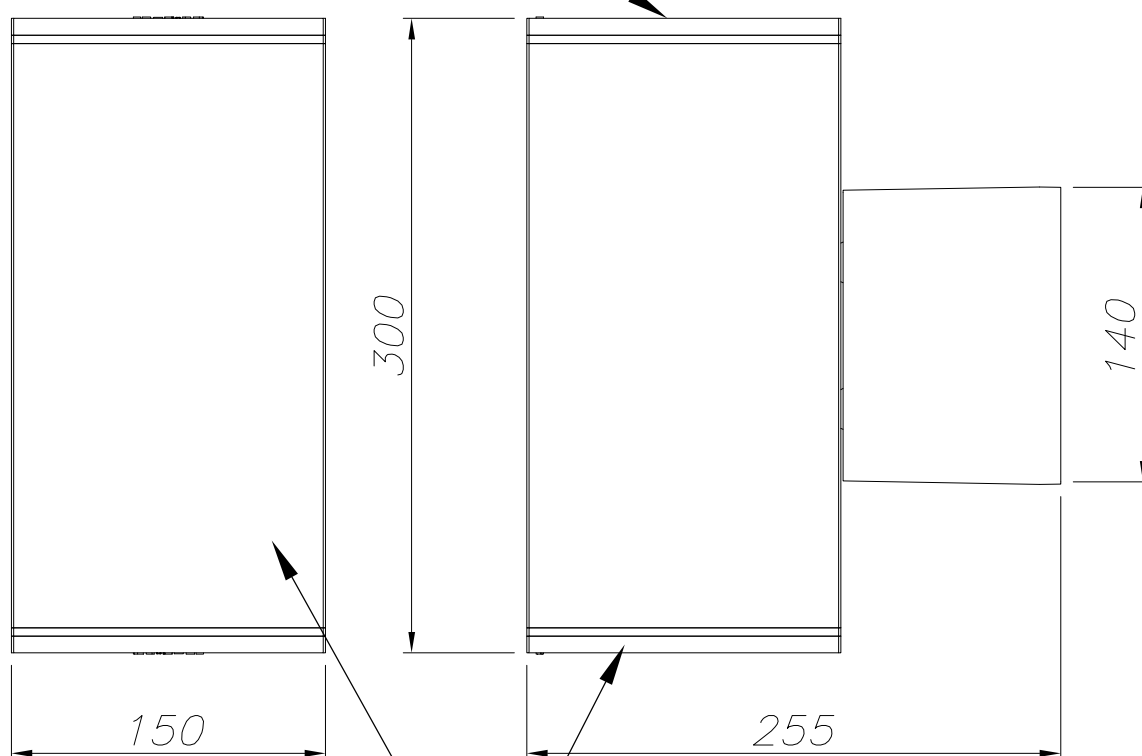
150mm x 150mm

Semiplanos C

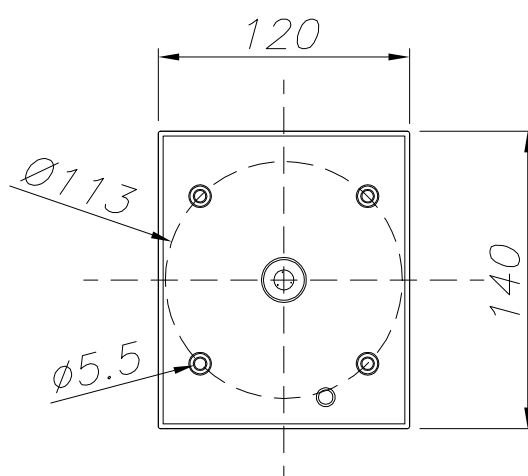
180.0 ————— 0.0
 270.0 ————— 90.0



CRISTAL TRANSPARENTE
TRANSPARENT GLASS



ALUMINIO INYECTADO
INJECTED ALUMINUM



PLANTILLA DE INSTALACIÓN
INSTALLATION TEMPLATE



LEDS-C4

OUTDOOR

05-9369

