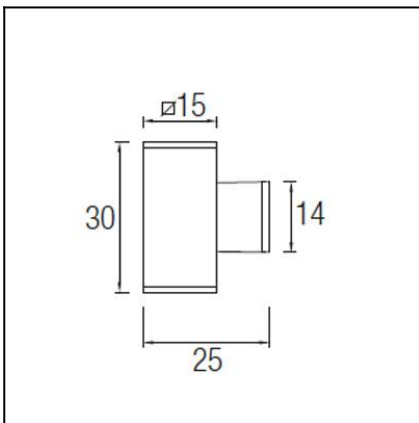


The photograph may not match the reference exactly. Please read the product description to identify the finish.

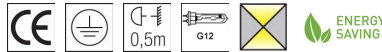


### DESCRIPTION

Straight edged lamp designed for lighting vertical surfaces. Injected aluminium body and tempered glass diffuser. Available in various sizes and finishes: white, light grey, dark grey and brown. Available in different wattages for metal halide lamps, LED and fluorescent lights.

### TECHNICAL CHARACTERISTICS

Type:	Wall fixture
IP Protection degrees:	IP65
IK Protection degrees:	IK08
Lampholder:	1 x G12
Power (W):	G12 HIT-T-70W
Voltage / Frequency:	230V/50Hz
Warranty (Years):	2
Units per box:	2
Net Weight (Kg):	4.735
EAN:	8435111067178,00



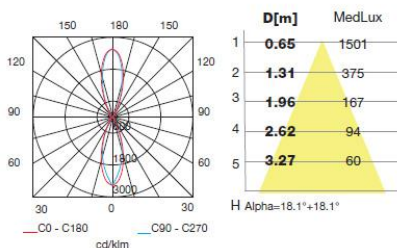
### MATERIALS / FINISHES

**Structure material:** High purity aluminium

**Diffuser material:** Glass

**Structure finish:** Urban grey

**Diffuser finish:** Tempered



### GEAR

Gear included: Yes, Magnetic

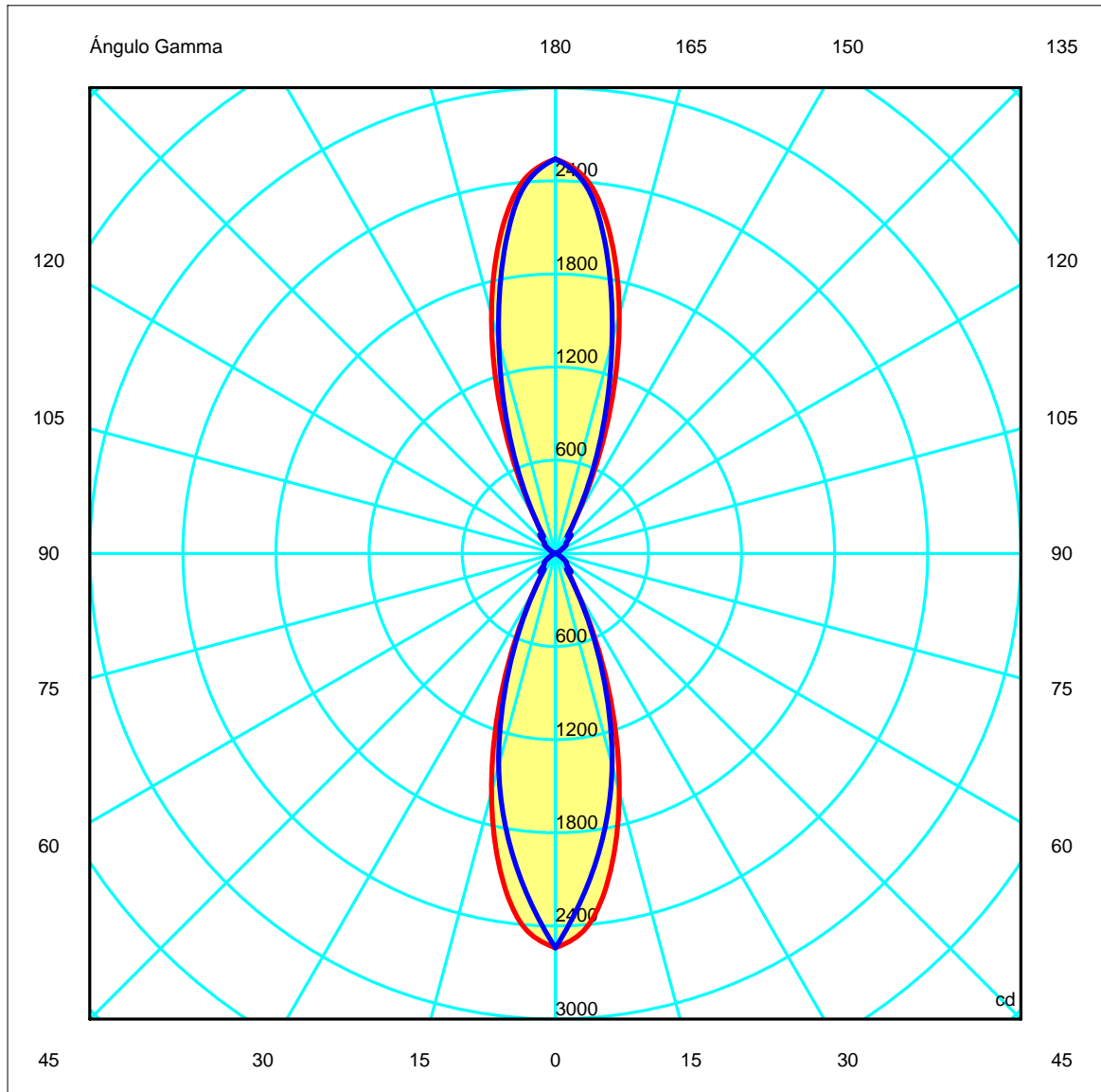
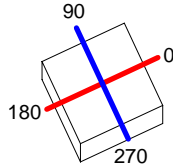
Download photometric file .ldt / .ies

<b>Luminaria</b>		<b>Ensayo</b>		<b>Lámpara</b>	
Código	05-9369-34-37 A	Código	05-9369-34-37 A	Código	CDM-T70W/830
Nombre	AFRODITA CDM-T 70W 2 reflector	Nombre	Afrodita CDM-T 70W Iguales	Número	1
Familia	- LEDS-C4	Fecha	26-08-2009	Posición	Universal
Eficiencia	37.68%	Sist. de Coordin.	C-G	Flujo Total	6600.00 lm
Valor Máximo	2540.46 cd	Posición	C=0.00 G=0.00	Bisimétrico	

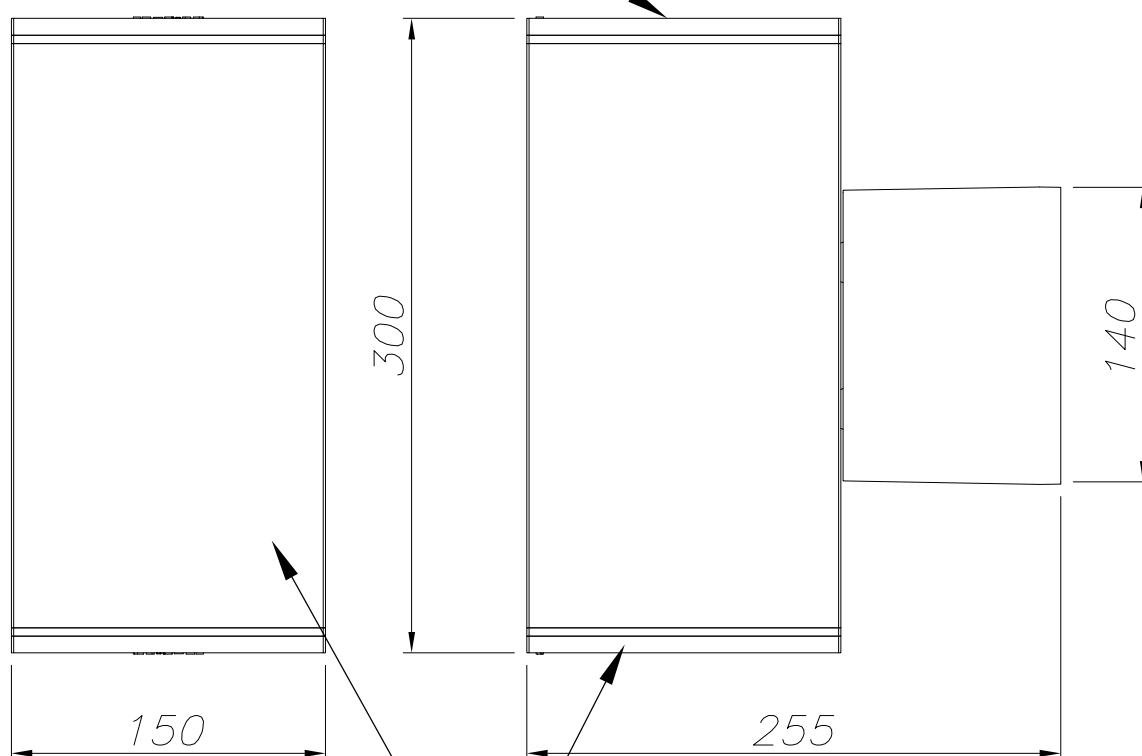
150mm x 150mm

Semiplanos C

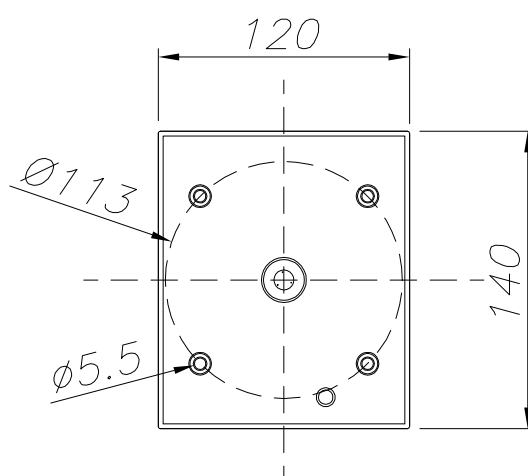
180.0 ——— 0.0  
 270.0 ——— 90.0



CRISTAL TRANSPARENTE  
TRANSPARENT GLASS



ALUMINIO INYECTADO  
INJECTED ALUMINUM



PLANTILLA DE INSTALACIÓN  
INSTALLATION TEMPLATE



LEDS-C4

OUTDOOR

05-9369

