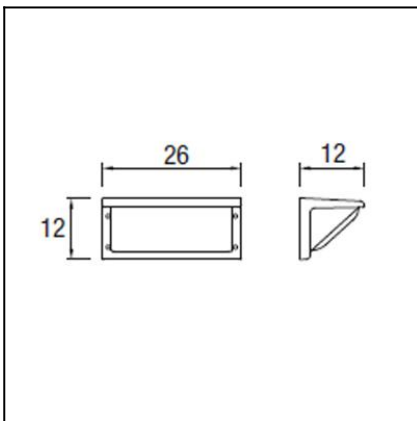




The photograph may not match the reference exactly. Please read the product description to identify the finish.



DESCRIPTION

Triangular shaped appliqué for general direct lighting applications. Body produced in high grade injected aluminium and it comes complete with a frosted polycarbonate diffuser. Available in two sizes, and finished in light grey or dark grey. Light source uses one or two GX24d-3 26W fluorescent bulbs depending on the model (not supplied). Includes BAG electronic components. Its high IP and IK rating (IP65, IK10) and its tough weatherproof material make it extremely resistant even under the most severe weather conditions.

TECHNICAL CHARACTERISTICS

Type:	Wall fixture
IP Protection degrees:	IP65
IK Protection degrees:	IK10
Lampholder:	1 x G24d3
Power (W):	G24d3 26W
Voltage / Frequency:	230V/50Hz
Units per box:	4
Net Weight (Kg):	1.53
EAN:	8435111074923

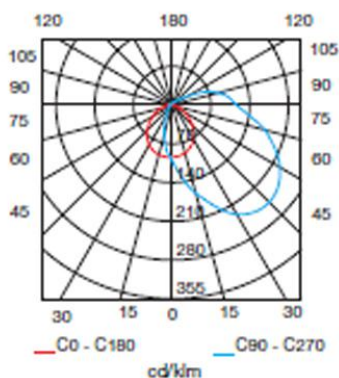


MATERIALS / FINISHES

Structure material:	High purity aluminium	Diffuser material:	Polycarbonate
Structure finish:	Grey	Diffuser finish:	Matt

GEAR

Gear included: Yes, Magnetic

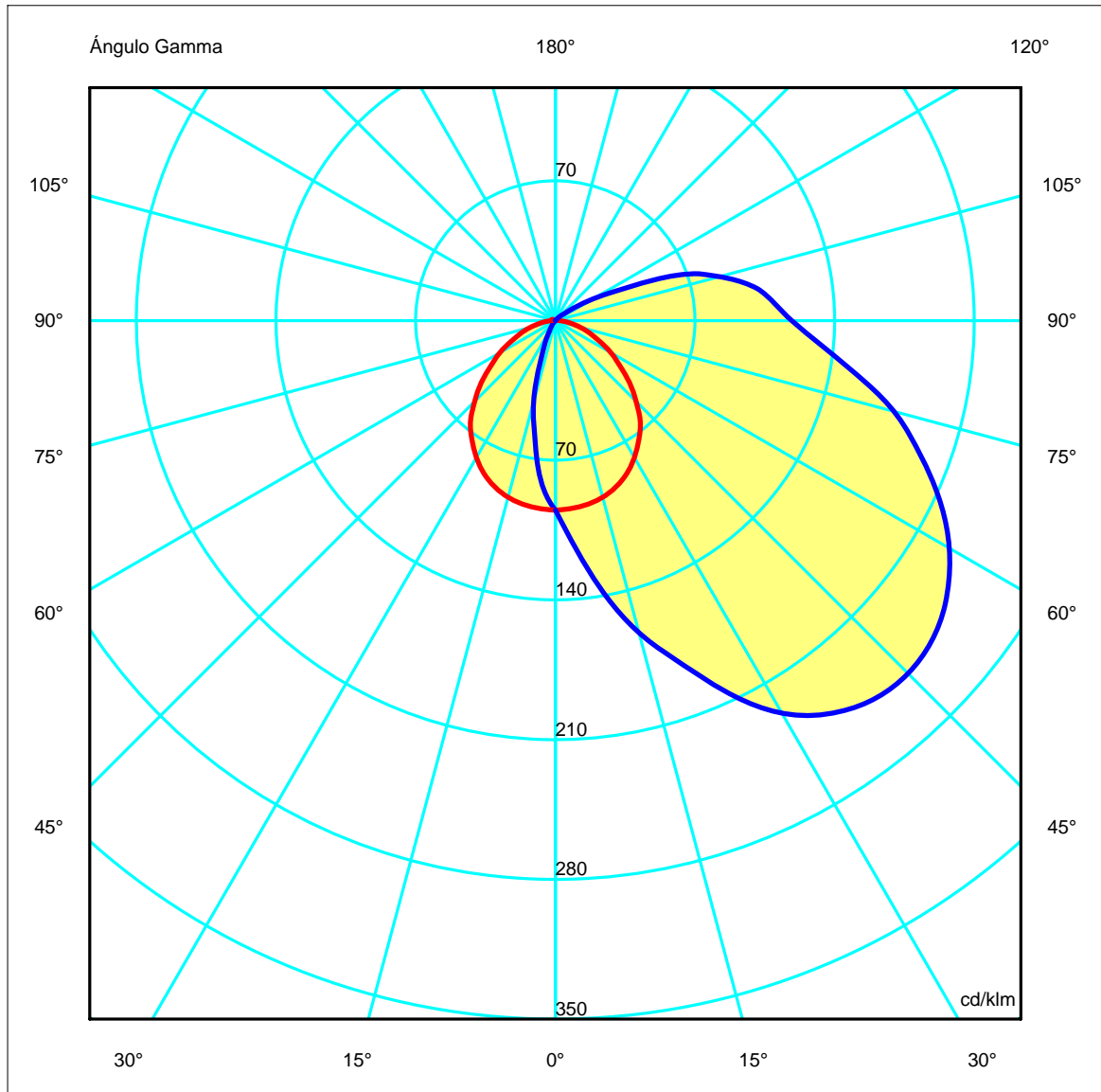
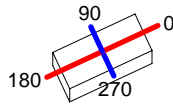
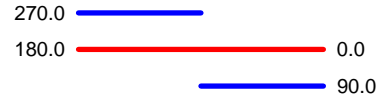


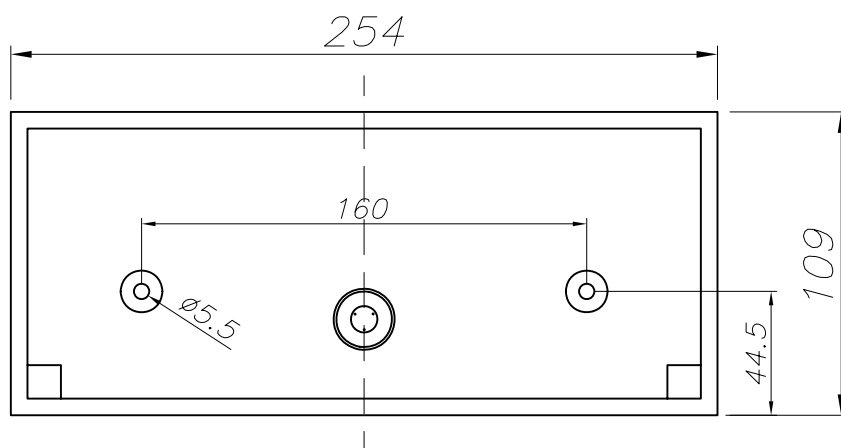
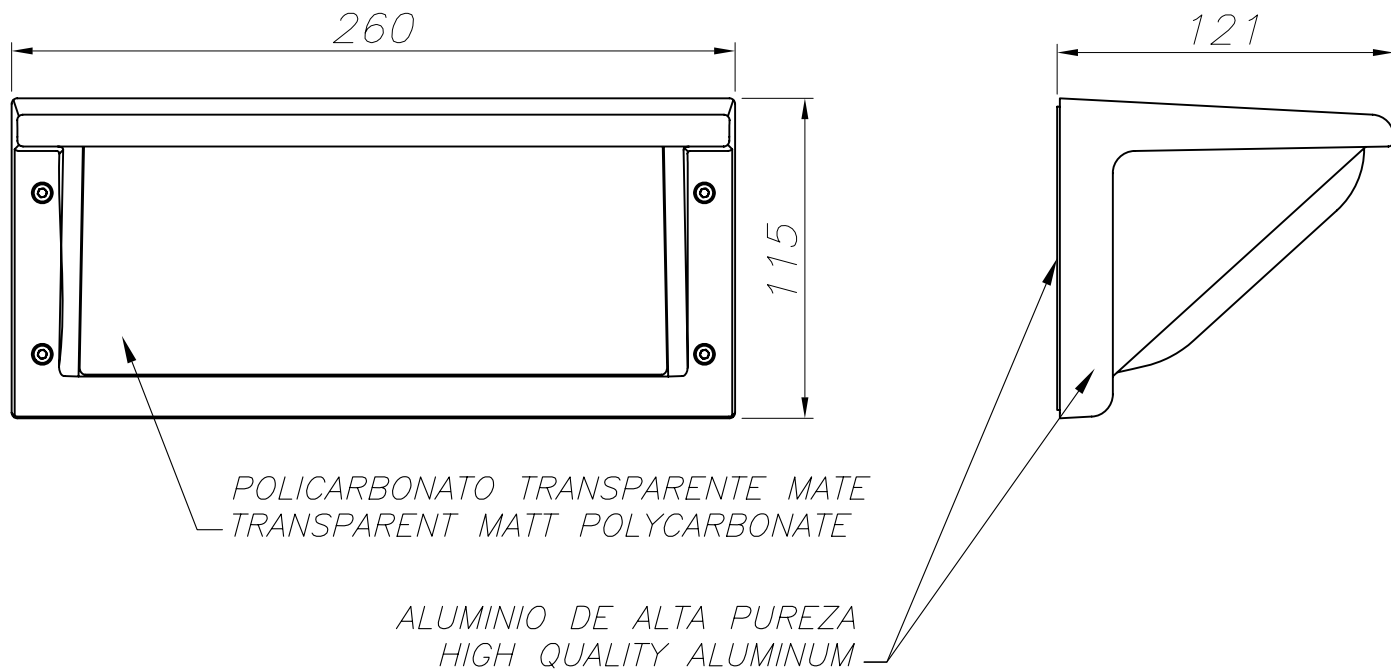
Download photometric file .ldt / .ies

Luminaria		Ensayo		Lámpara	
Código	05-9408	Código	05-9408	Código	PLC2684
Nombre	Aplicado 1x26W TC-D opal	Nombre	Aplicado 1x26W TC-D opal	Número	1
Familia	- LEDS-C4	Fecha	25-11-2009	Posición	Universal
Eficiencia	51.22%	Sist. de Coorden.	C-G	Flujo Total	1800.00 lm
Valor Máximo	249.99 cd/klm	Posición	C=90.00 G=45.00	Sim. en los planos	270-90

115mm x 260mm

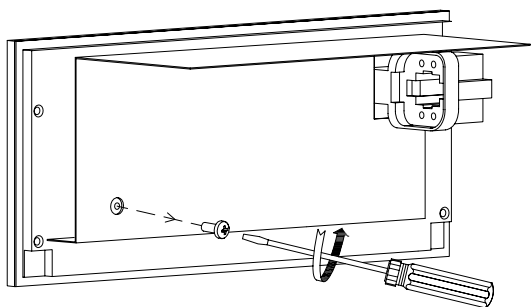
Semiplanos C



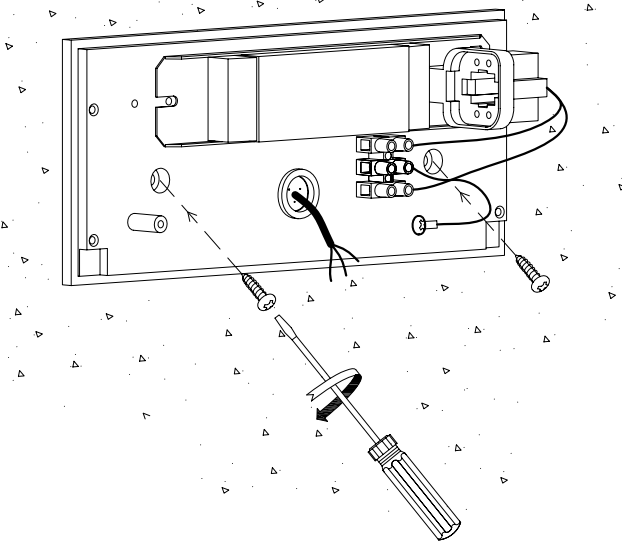


PLANTILLA DE INSTALACIÓN
INSTALLATION TEMPLATE

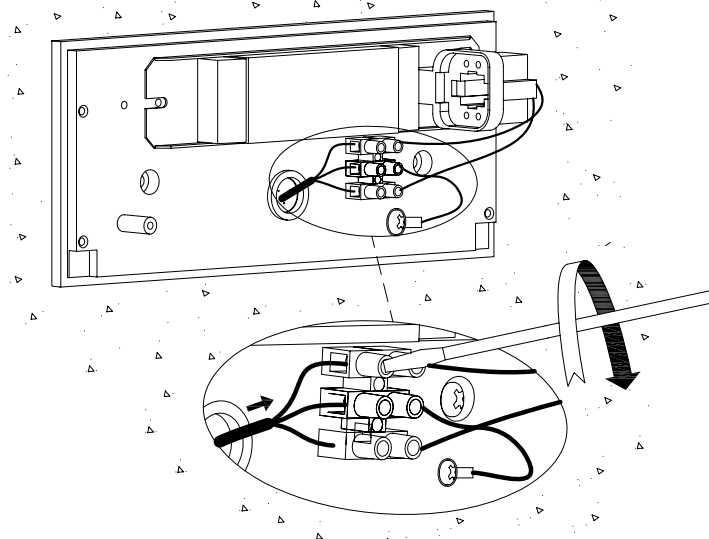
①



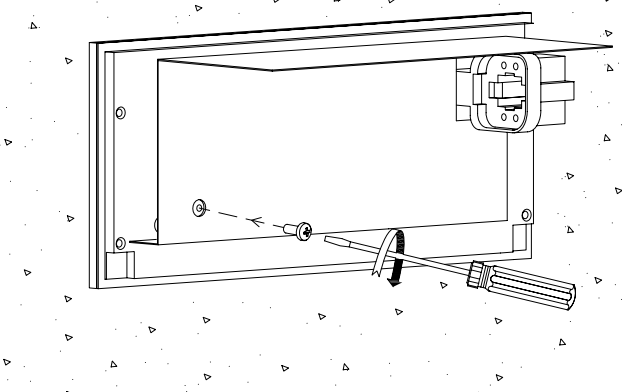
②



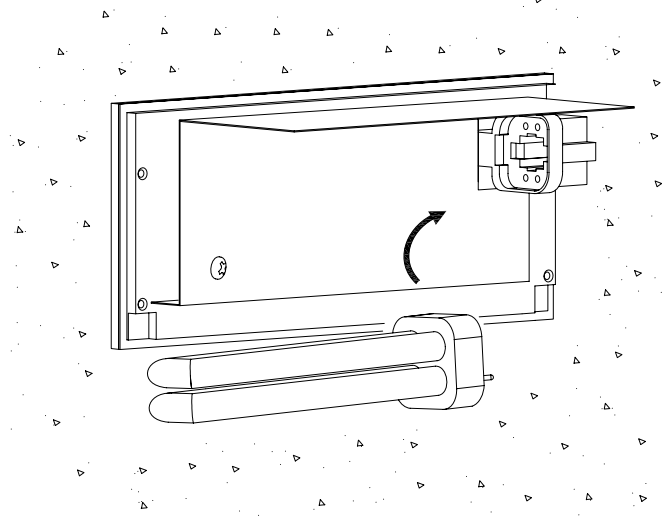
③



④



⑤



⑥

