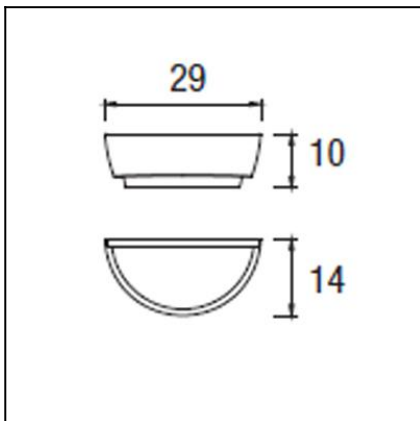




The photograph may not match the reference exactly. Please read the product description to identify the finish.



### TECHNICAL CHARACTERISTICS

Type:	Wall fixture
IP Protection degrees:	IP54
IK Protection degrees:	IK08
Lampholder:	1 x E27
Power (W):	E27 MAX 23W
Total power consumption (W):	23
Voltage / Frequency:	230V/50-60Hz
Warranty (Years):	2
Units per box:	6
Net Weight (Kg):	0.535
EAN:	8435111074947,00



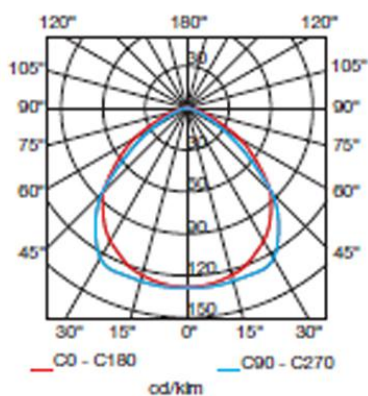
### MATERIALS / FINISHES

**Structure material:** ABS  
Polycarbonate

**Structure finish:** Grey  
Grey

**Diffuser material:** Polycarbonate

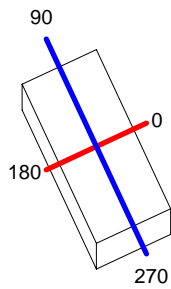
**Diffuser finish:** Matt



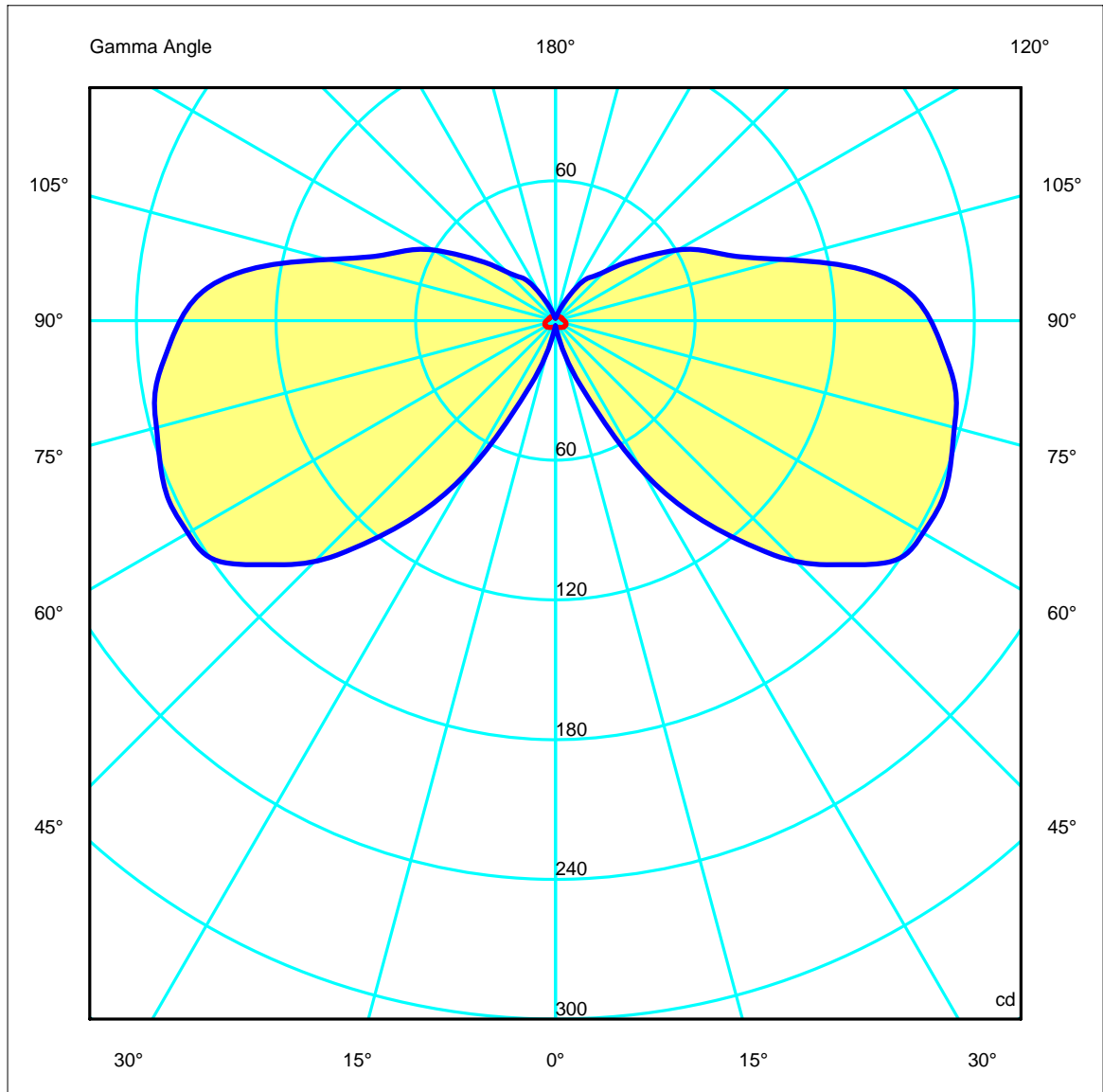
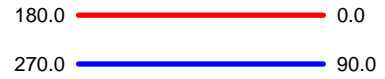
Download photometric file .ldt / .ies

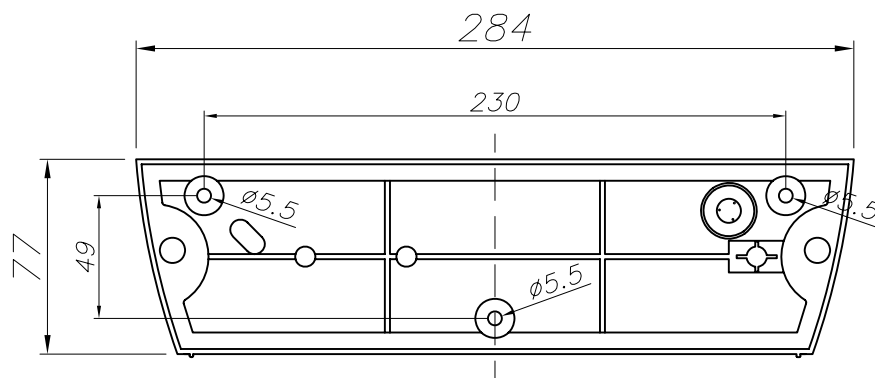
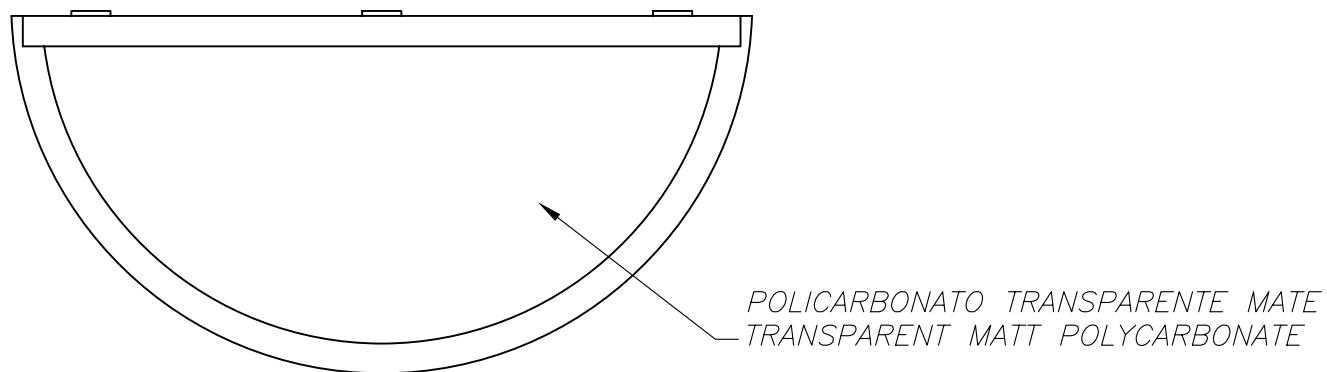
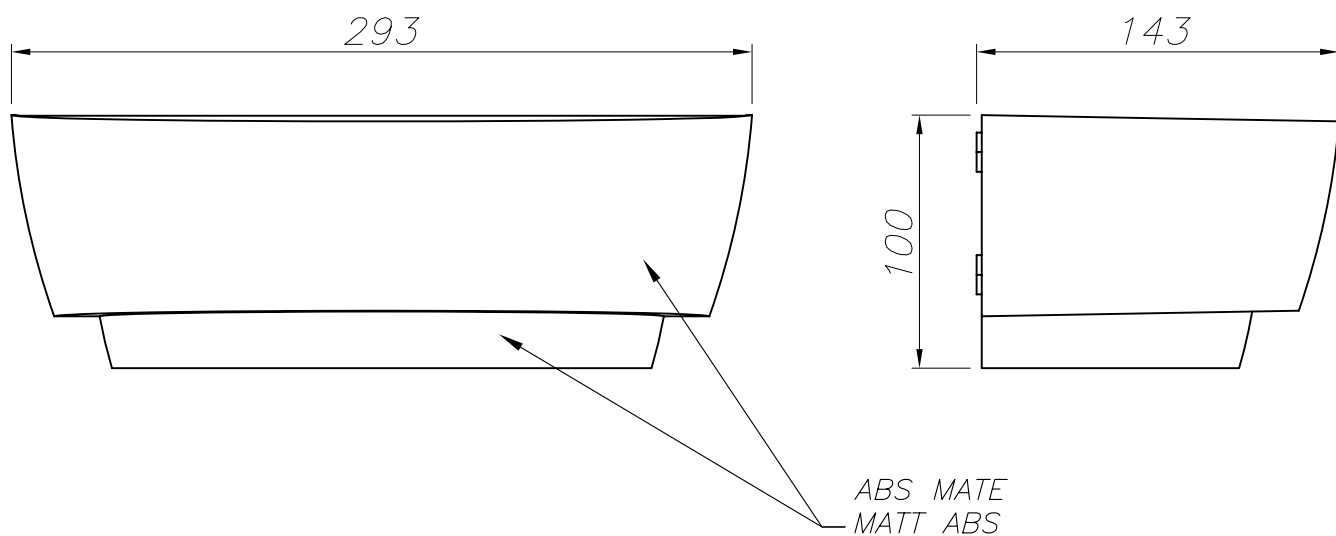
Luminaire		Measurement		Lamp	
Code	05-9409	Code	05-9409	Code	PLEC23
Name	Aplique Galilei 1x23W	Name	Aplique GALILEI 1x23W	Number	1
Line	- LEDS-C4	Date	27-12-2010	Position	Universal
Efficiency	47.89%	Coordinate system	C-G	Total Flux	1500.00 lm
Maximum value	183.18 cd	Position	C=90.00 G=65.00	Double Symmetrical	

300mm x 140mm



C Halfplanes





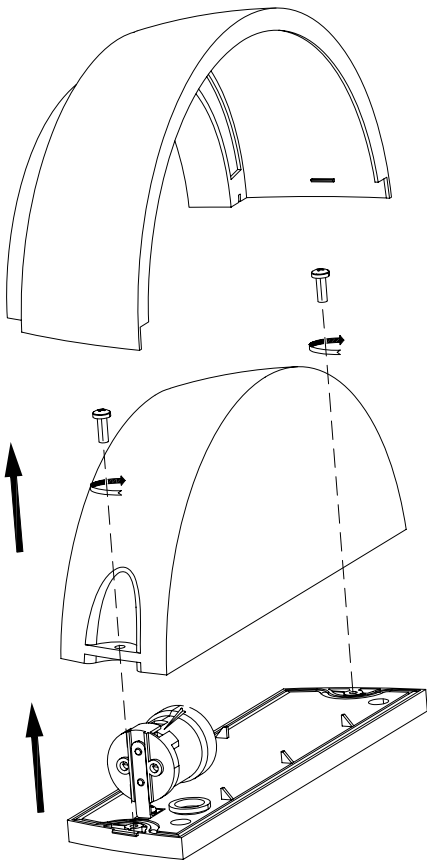
PLANTILLA DE INSTALACIÓN  
INSTALLATION TEMPLATE



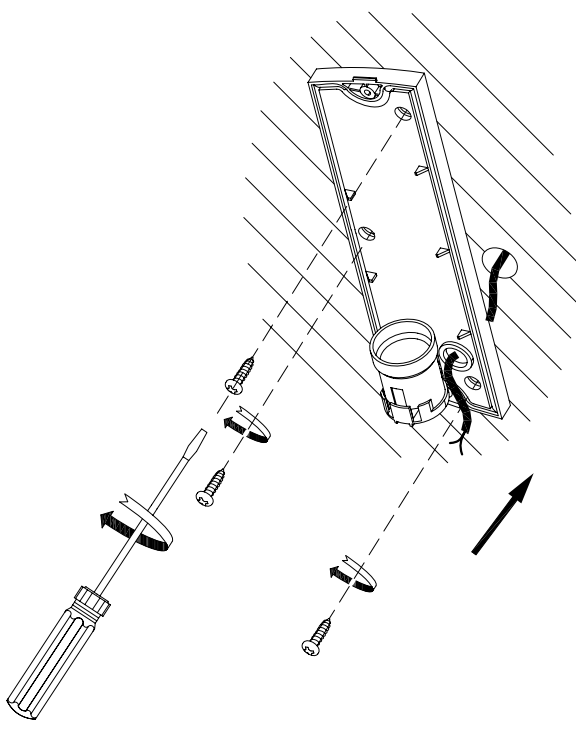
LED S-CU

OUTDOOR

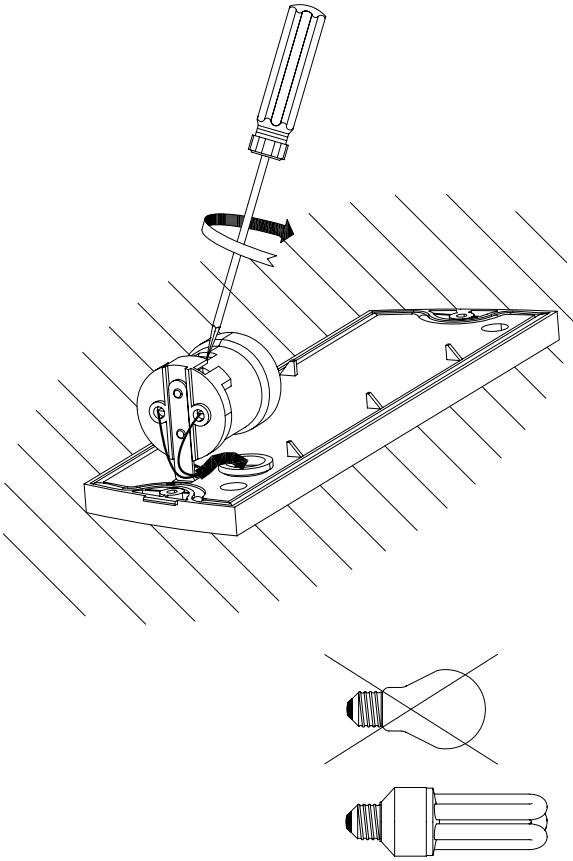
05-9409



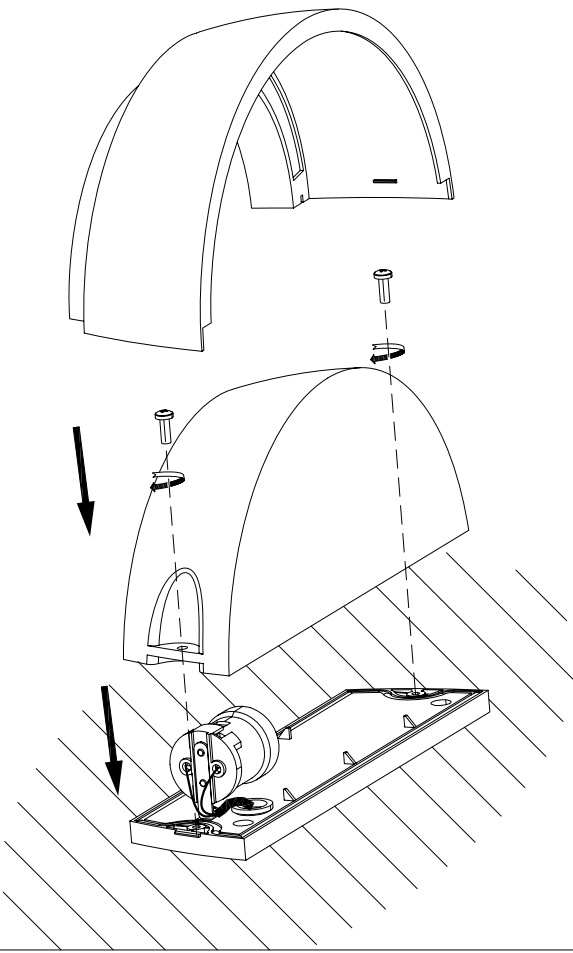
1



2



3



4