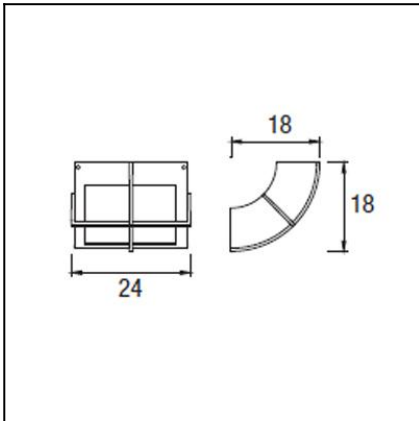
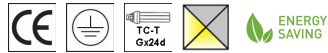


The photograph may not match the reference exactly. Please read the product description to identify the finish.



TECHNICAL CHARACTERISTICS

Type:	Wall fixture
IP Protection degrees:	IP44
IK Protection degrees:	IK04
Lampholder:	1 x GX24d3
Power (W):	GX24d3 26W
Voltage / Frequency:	230V/50Hz
Units per box:	4
Net Weight (Kg):	2
EAN:	8435111076170



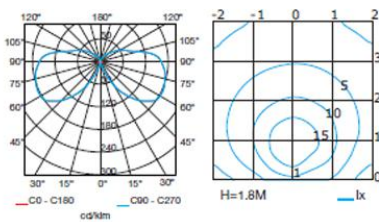
MATERIALS / FINISHES

Structure material: High purity aluminium
Structure finish: Urban grey

Diffuser material: Glass
Diffuser finish: Matt

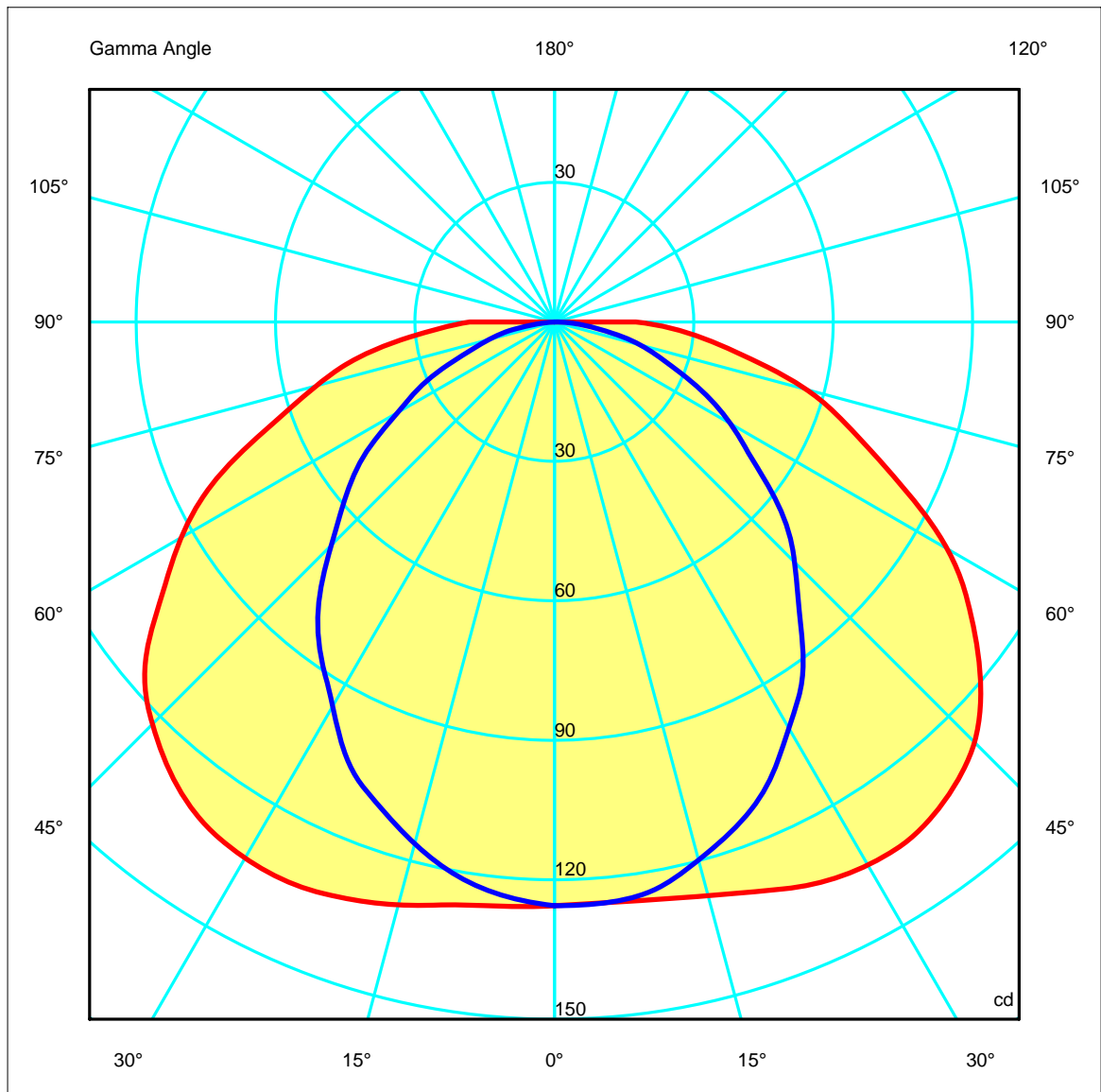
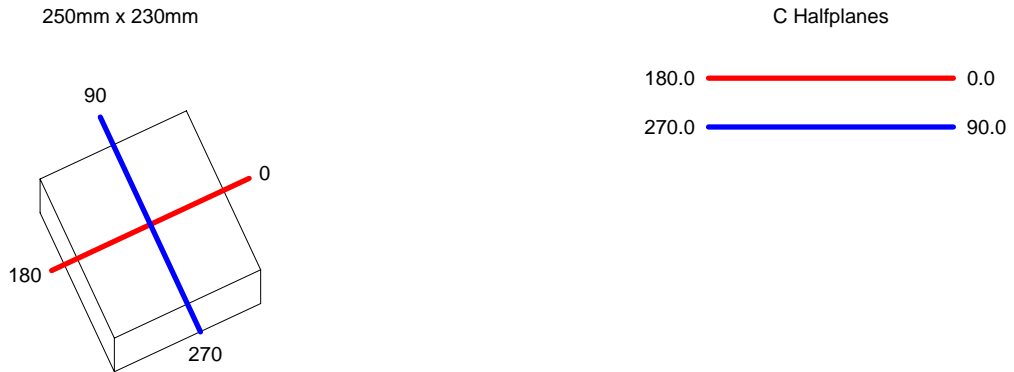
GEAR

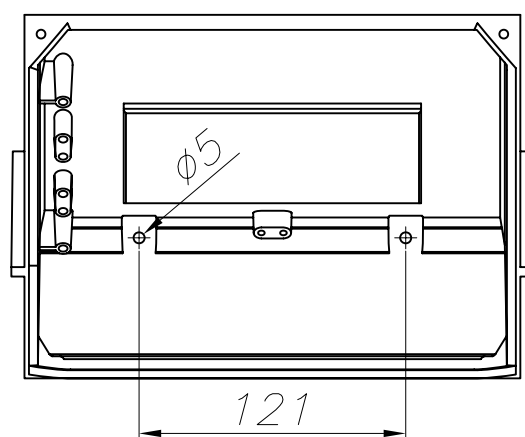
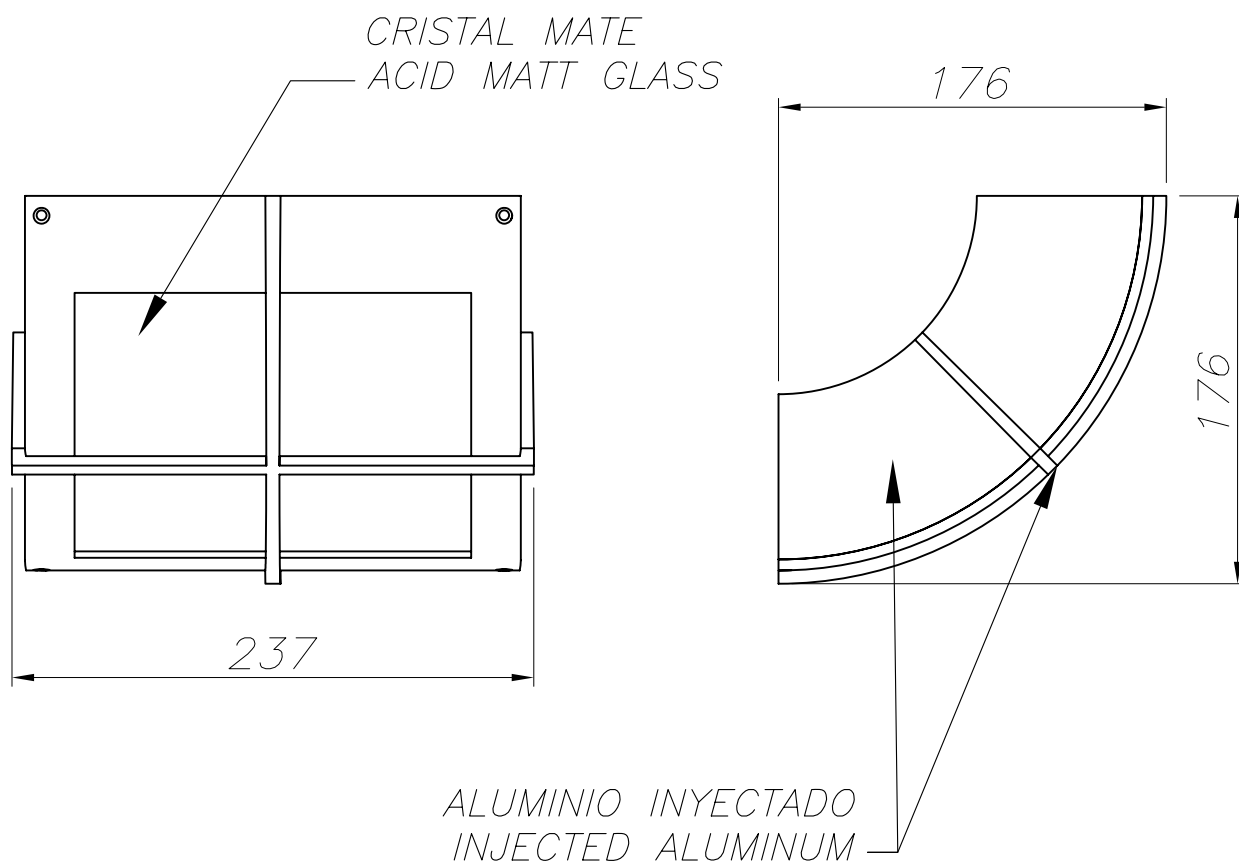
Gear included: Yes, Magnetic



Download photometric file .ldt /.ies

Luminaire		Measurement		Lamp	
Code	05-9410	Code	05-9410	Code	PLC2683
Name	Aplique Windows 1x26W	Name	Aplique WINDOWS 1x26W	Number	1
Line	- LEDS-C4	Date	27-12-2010	Position	Universal
Efficiency	23.38%	Coordinate system	C-G	Total Flux	1800.00 lm
Maximum value	134.87 cd	Position	C=0.00 G=30.00	Asymmetrical	





PLANTILLA DE INSTALACIÓN
INSTALLATION TEMPLATE

