

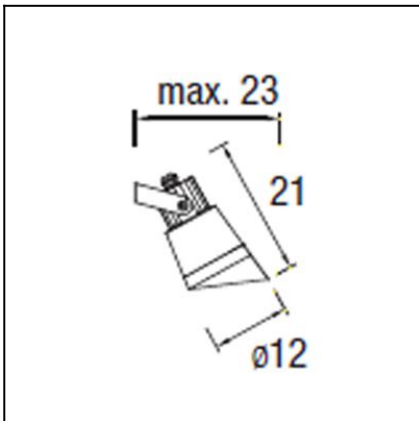
**OUT** 

# HUBBLE

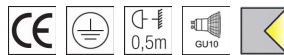
## 05-9416-Z5-37

**Design by Francesc Vilaró**

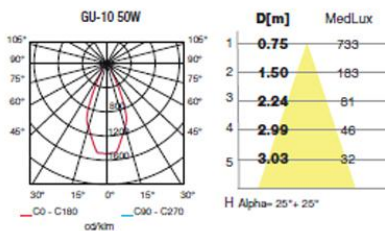

The photograph may not match the reference exactly. Please read the product description to identify the finish.


**TECHNICAL CHARACTERISTICS**

Type:	Focus
Adjustable $\pm 90^\circ$ on the horizontal axis.	
IP Protection degrees:	IP65
IK Protection degrees:	IK06
Lampholder:	1 x GU10
Power (W):	GU10 MAX 50W
Bulb included:	1 x GU10 50W
Total power consumption (W):	50
Voltage / Frequency:	230V/50-60Hz
Units per box:	8
Net Weight (Kg):	0.68
EAN:	8435111075005


**MATERIALS / FINISHES**

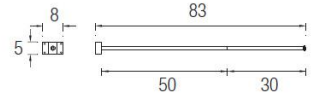
<b>Structure material:</b>	High purity aluminium	<b>Diffuser material:</b>	Glass
<b>Structure finish:</b>	Urban grey	<b>Diffuser finish:</b>	Tempered

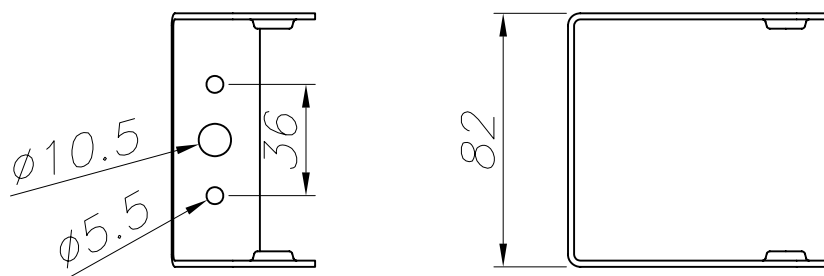
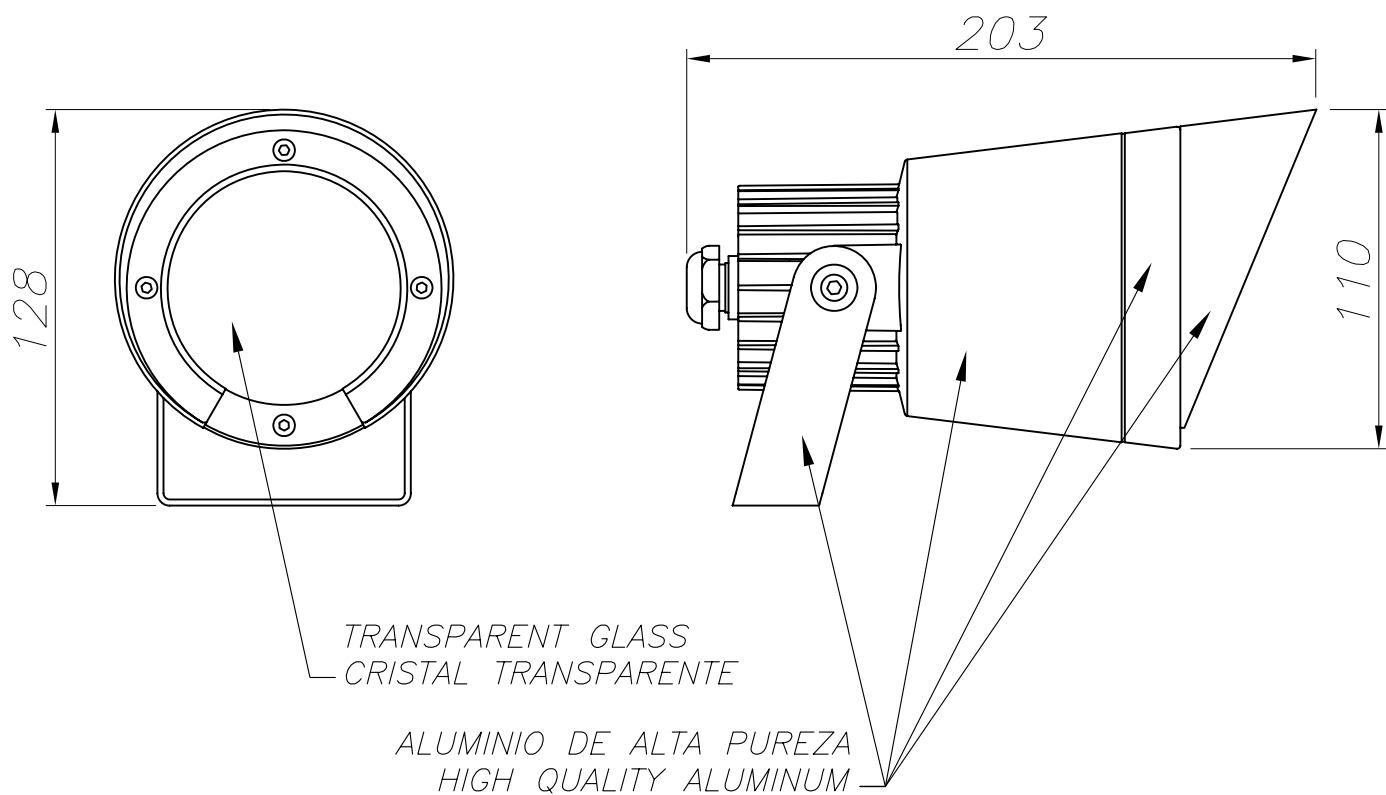

[Download photometric file .ldt /.ies](#)

71-9487-Z5-Z5



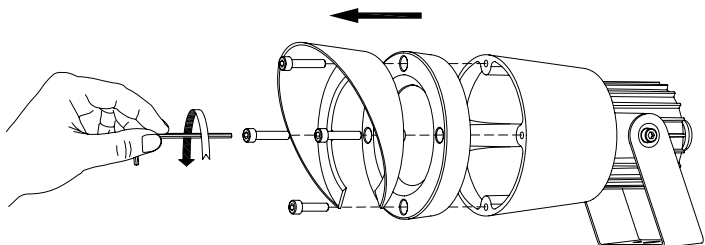
**Structure material:** Galvanized steel  
**Structure finish:** Urban grey



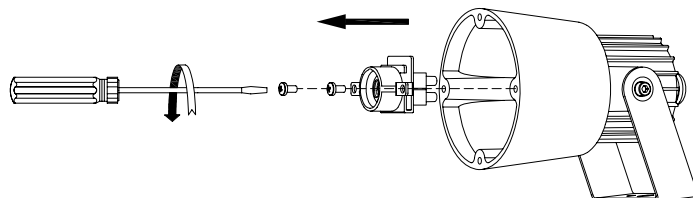


PLANTILLA DE INSTALACIÓN  
INSTALLATION TEMPLATE

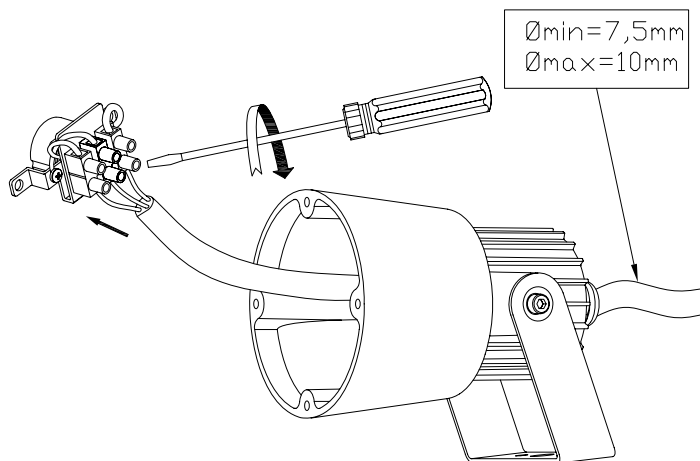
①



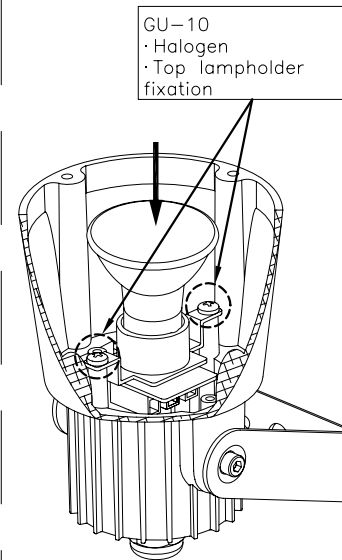
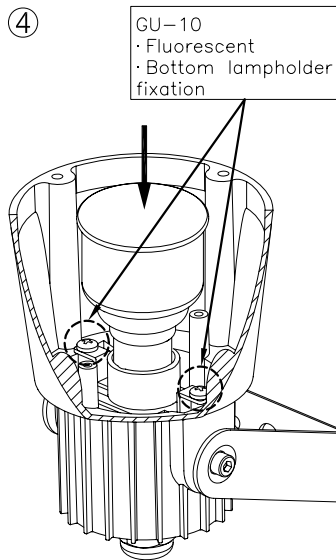
②



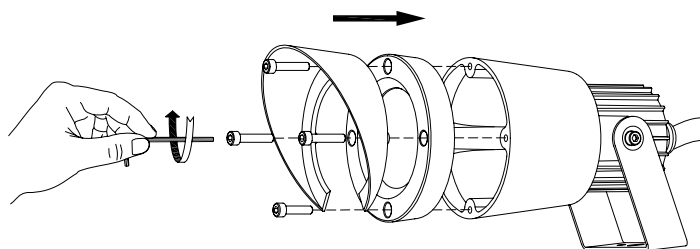
③



④



⑤



⑥

