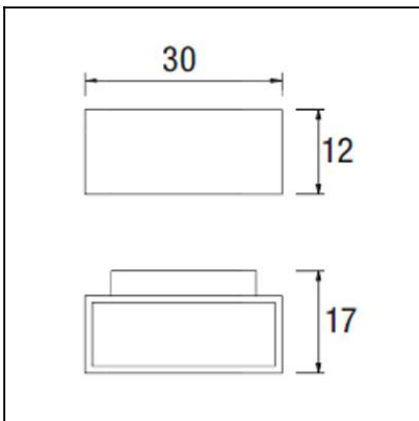




The photograph may not match the reference exactly. Please read the product description to identify the finish.

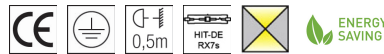


DESCRIPTION

Straight edged lamp designed for lighting vertical surfaces. Injected aluminium body and tempered glass diffuser. Available in various sizes and finishes: white, light grey, dark grey and brown. Available in different wattages for metal halide lamps, LED and fluorescent lights.

TECHNICAL CHARACTERISTICS

Type:	Wall fixture
IP Protection degrees:	IP65
IK Protection degrees:	IK04
Lampholder:	1 x Rx7s
Power (W):	Rx7s HIT-DE-70W
Voltage / Frequency:	230V/50Hz
Warranty (Years):	2
Units per box:	2
Net Weight (Kg):	3.73
EAN:	8435111075036,00



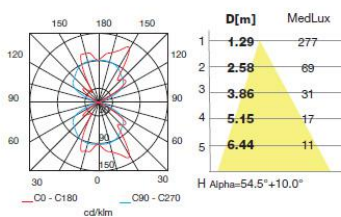
MATERIALS / FINISHES

Structure material: Injected aluminium

Diffuser material: Glass

Structure finish: Grey

Diffuser finish: Tempered



Download photometric file .ldt / .ies

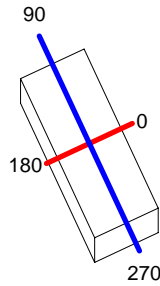
GEAR

Gear included: Yes, Magnetic

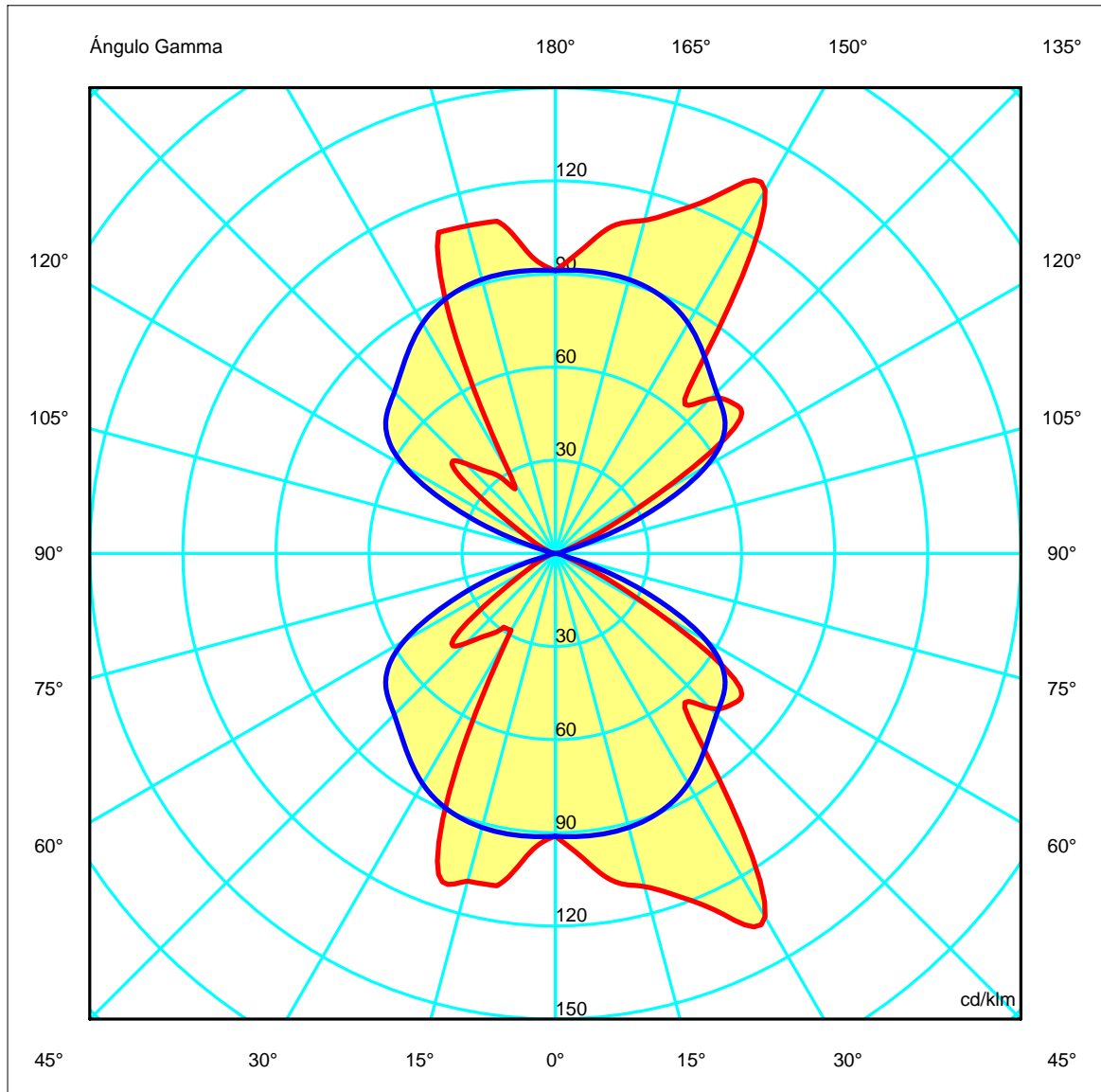
Luminaria		Ensayo		Lámpara	
Código	05-9438	Código	05-9438	Código	CDMTD70/830
Nombre	Aplicador direct/ind 70W HM RX7s	Nombre	Aplicador dir/ind. 70W HM RX7s	Número	1
Familia	- LEDS-C4	Fecha	25-11-2009	Posición	Universal
Eficiencia	52.92%	Sist. de Coorden.	C-G	Flujo Total	6500.00 lm
Valor Máximo	135.14 cd/klm	Posición	C=0.00 G=30.00		Asimétrico

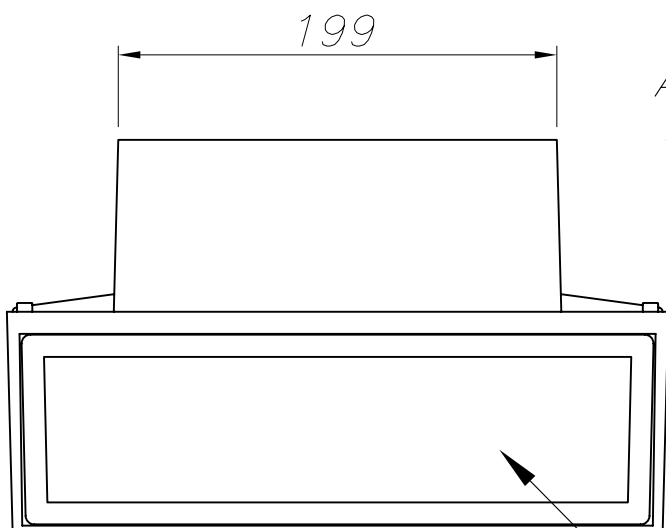
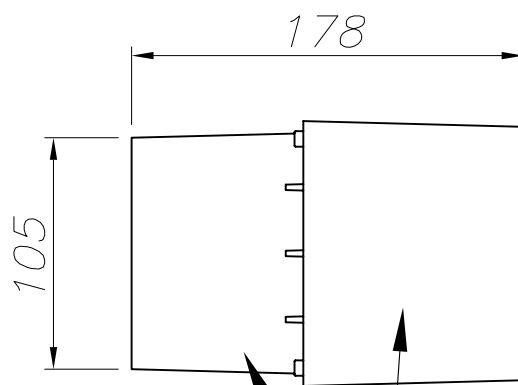
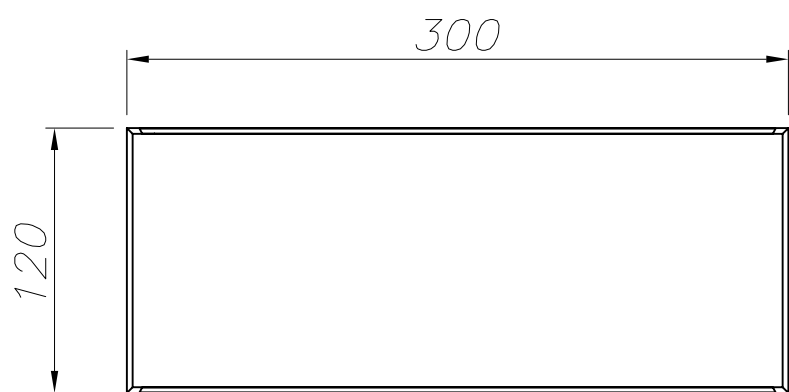
300mm x 120mm

Semiplanos C



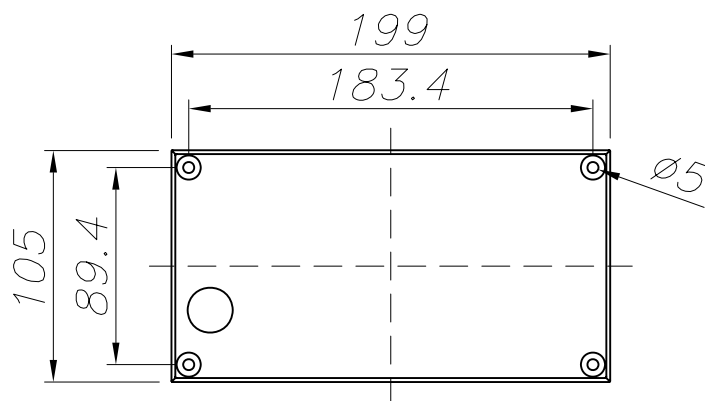
180.0 ——— 0.0
270.0 ——— 90.0





ALUMINIO INYECTADO
INJECTED ALUMINUM

CRISTAL TRANSPARENTE
TRANSPARENT GLASS



PLANTILLA DE INSTALACIÓN
INSTALLATION TEMPLATE



LED S-C4

OUTDOOR

05-9227
05-9438

