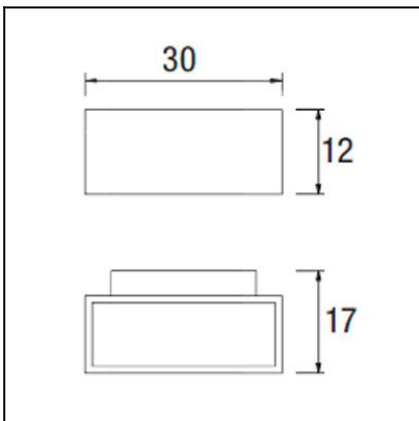




The photograph may not match the reference exactly. Please read the product description to identify the finish.

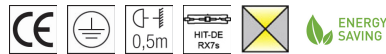


### DESCRIPTION

Straight edged lamp designed for lighting vertical surfaces. Injected aluminium body and tempered glass diffuser. Available in various sizes and finishes: white, light grey, dark grey and brown. Available in different wattages for metal halide lamps, LED and fluorescent lights.

### TECHNICAL CHARACTERISTICS

Type:	Wall fixture
IP Protection degrees:	IP65
IK Protection degrees:	IK04
Lampholder:	1 x Rx7s
Power (W):	Rx7s HIT-DE-70W
Voltage / Frequency:	230V/50Hz
Warranty (Years):	2
Units per box:	2
Net Weight (Kg):	3.73
EAN:	8435111075043,00



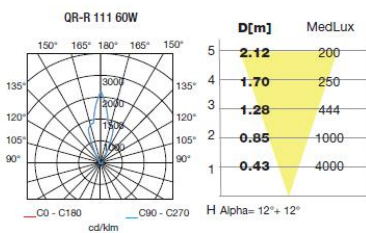
### MATERIALS / FINISHES

**Structure material:** Injected aluminium

**Diffuser material:** Glass

**Structure finish:** Urban grey

**Diffuser finish:** Tempered



### GEAR

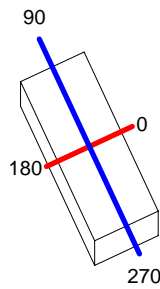
Gear included: Yes, Magnetic

Download photometric file .ldt / .ies

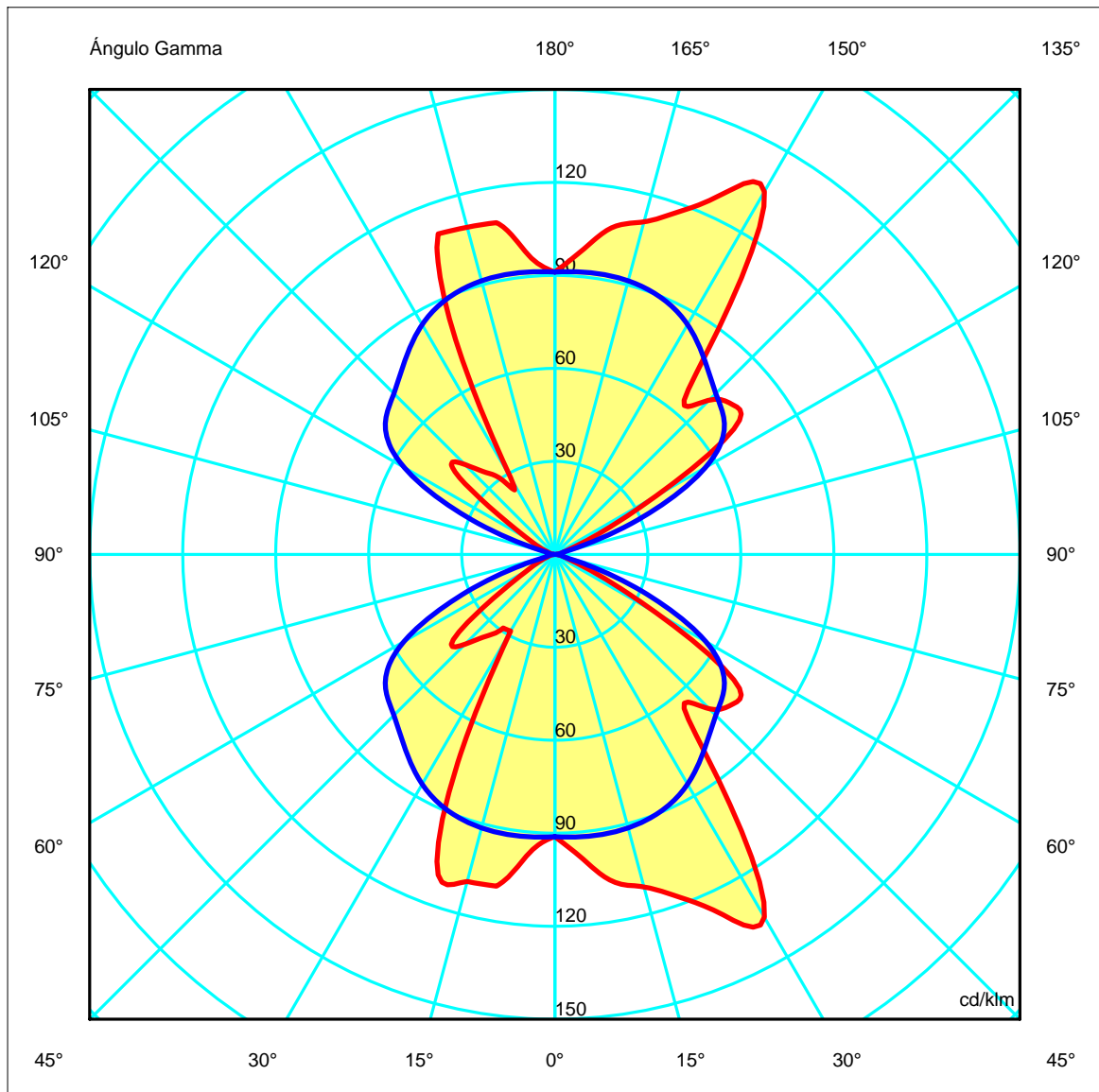
<b>Luminaria</b>		<b>Ensayo</b>		<b>Lámpara</b>	
Código	05-9438	Código	05-9438	Código	CDMTD70/830
Nombre	Aplicador direct/ind 70W HM RX7s	Nombre	Aplicador dir/ind. 70W HM RX7s	Número	1
Familia	- LEDS-C4	Fecha	25-11-2009	Posición	Universal
Eficiencia	52.92%	Sist. de Coorden.	C-G	Flujo Total	6500.00 lm
Valor Máximo	135.14 cd/klm	Posición	C=0.00 G=30.00		Asimétrico

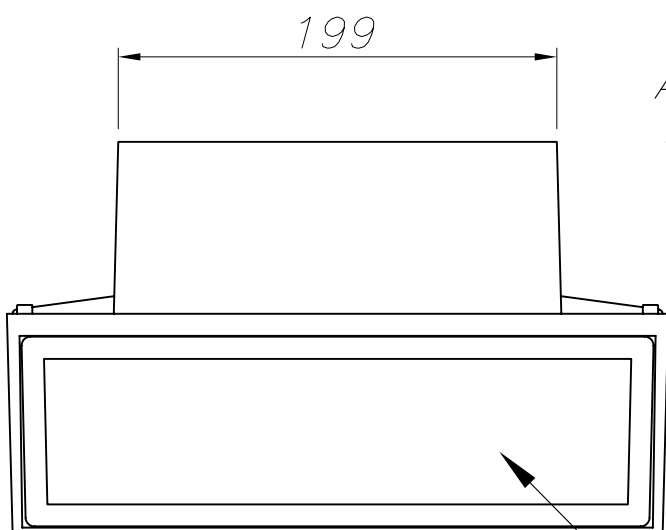
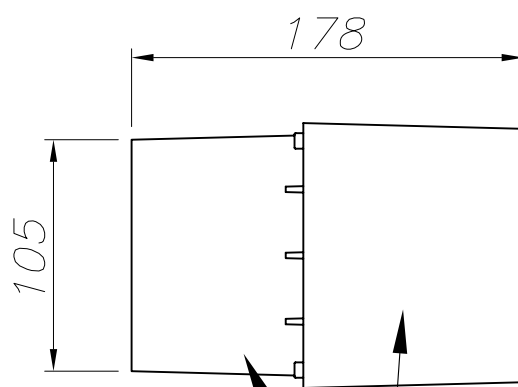
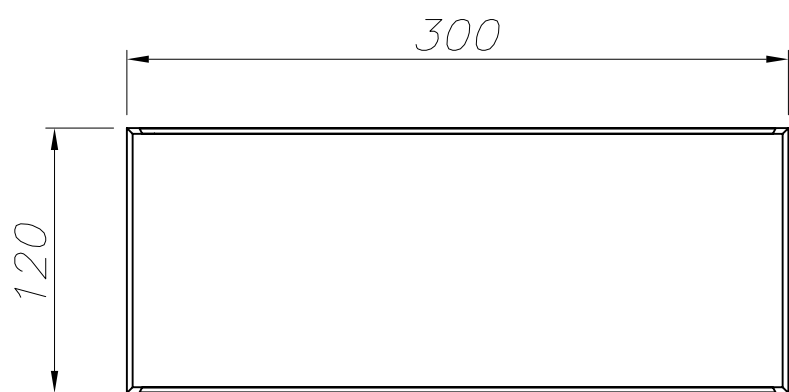
300mm x 120mm

Semiplanos C



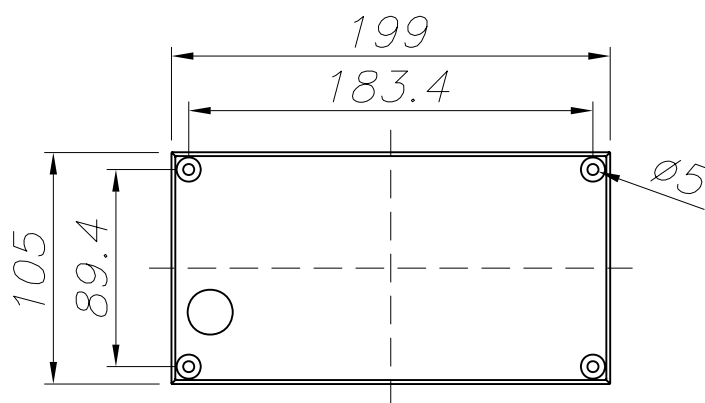
180.0 ——— 0.0  
270.0 ——— 90.0





ALUMINIO INYECTADO  
INJECTED ALUMINUM

CRISTAL TRANSPARENTE  
TRANSPARENT GLASS



PLANTILLA DE INSTALACIÓN  
INSTALLATION TEMPLATE



LED S-C4

OUTDOOR

05-9227  
05-9438

