

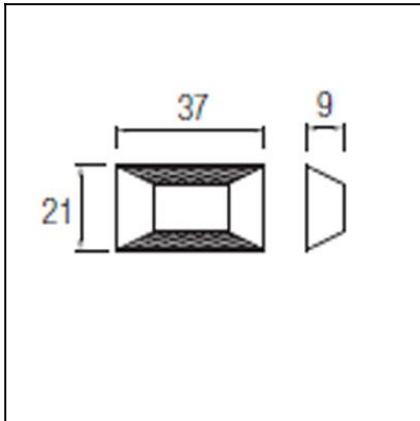
OUT 

PASTEUR

05-9456-Z5-M3



The photograph may not match the reference exactly. Please read the product description to identify the finish.



Download photometric file .ldt /.ies

TECHNICAL CHARACTERISTICS

Type:	Wall fixture
IP Protection degrees:	IP54
IK Protection degrees:	IK10
Lampholder:	2 x G24d2
Power (W):	G24d2 18W
Total power consumption (W):	46
Voltage / Frequency:	230V/50Hz
Units per box:	4
Net Weight (Kg):	1.95
EAN:	8435111081716



MATERIALS / FINISHES

Structure material:	High purity aluminium	Diffuser material:	Polycarbonate
Structure finish:	Urban grey	Diffuser finish:	Matt

GEAR

Gear included: Yes, Magnetic

Report No.: 20130321001

Test Time: 2013-3-21 15:37

Luminaire Property

Luminaire Manufacturer: LEDS-C4
 Luminaire Category:
 Lamp Catalog:
 Number of Lamps: 2
 Luminous Length (mm): 180
 Luminous Height (mm): 60
 Current: 0.389 A
 Power Factor: 0.463

Luminaire Description: 05-9456
 Lamp Description: G24d-2
 Lumens per Lamp: 1200
 Luminous Width (mm): 90
 Voltage: 221.8 V
 Power: 40.00 W

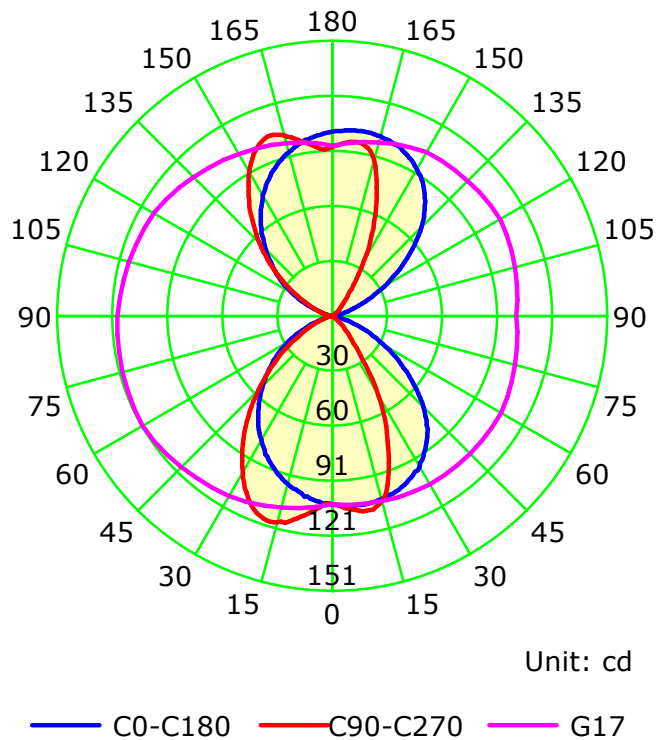
Photometric Results

CIE Class: General Diffuse
 Measurement Flux: 398.5 lm
 Downward Ratio: 8.66%
 Horizontal Diffuse Angle(10%,50%): H140.6,H98.9
 Vertical Diffuse Angle(10%,50%): V108.6,V73.8
 Luminaire Efficacy Rating (LER): 10
 Max. Intensity: 121.42 cd

Total Rated Lamp Lumens: 2400.0 lm
 Efficiency: 16.60%
 Upward Ratio: 7.94%
 Central Intensity: 104.4 cd
 Pos of Max. Intensity: H300 V17

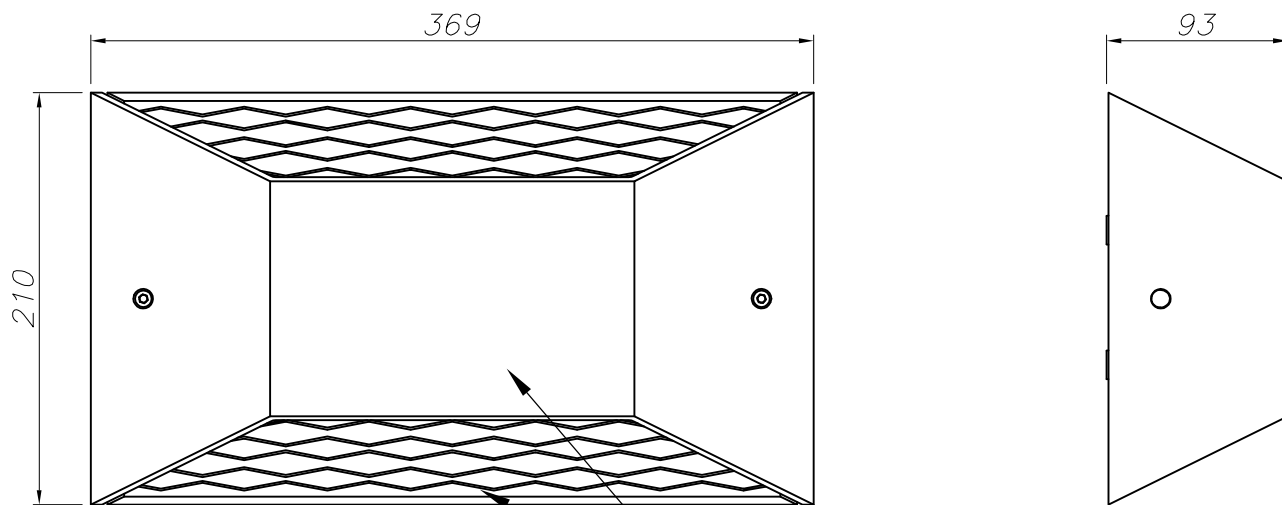
Picture Of Luminaire ...

Luminous Intensity Distribution Curve



C Plane (°):0.0-360.0: 30.0
 Test Lab: INVENTFINE
 Test Type: TYPE C
 Temperature:
 Operator:

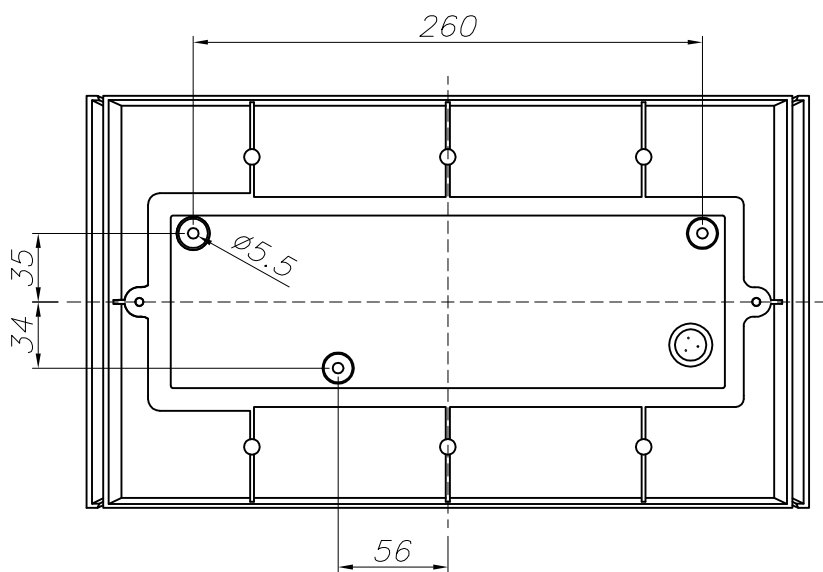
Gamma Plane (°):0.0-180.0:1.0
 Test Device: GPM-1800B
 Distance: 6.435 m
 Humidity:
 Inspector:



ALUMINIO INYECTADO DE ALTA PUREZA
HIGH QUALITY INJECTED ALUMINIUM



POLICARBONATO TRANSPARENTE MATE
TRANSPARENT MATT POLYCARBONATE



PLANTILLA DE INSTALACIÓN
INSTALLATION TEMPLATE

