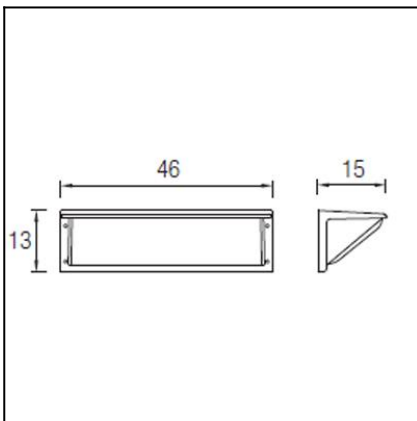




The photograph may not match the reference exactly. Please read the product description to identify the finish.



### DESCRIPTION

Triangular shaped appliqué for general direct lighting applications. Body produced in high grade injected aluminium and it comes complete with a frosted polycarbonate diffuser. Available in two sizes, and finished in light grey or dark grey. Light source uses one or two GX24d-3 26W fluorescent bulbs depending on the model (not supplied). Includes BAG electronic components. Its high IP and IK rating (IP65, IK10) and its tough weatherproof material make it extremely resistant even under the most severe weather conditions.

### TECHNICAL CHARACTERISTICS

Type:	Wall fixture
IP Protection degrees:	IP65
IK Protection degrees:	IK10
Lampholder:	2 x G24d3
Power (W):	G24d3 26W
Voltage / Frequency:	230V/50Hz
Units per box:	4
Net Weight (Kg):	2.865
EAN:	8435111082171

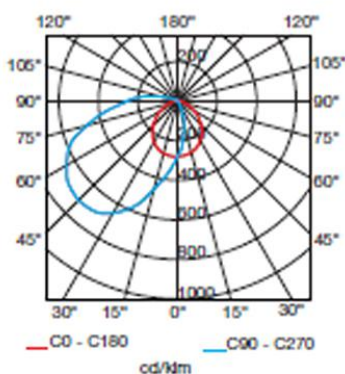


### MATERIALS / FINISHES

<b>Structure material:</b>	High purity aluminium	<b>Diffuser material:</b>	Polycarbonate
<b>Structure finish:</b>	Urban grey	<b>Diffuser finish:</b>	Matt

### GEAR

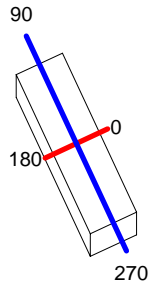
Gear included: Yes, Magnetic



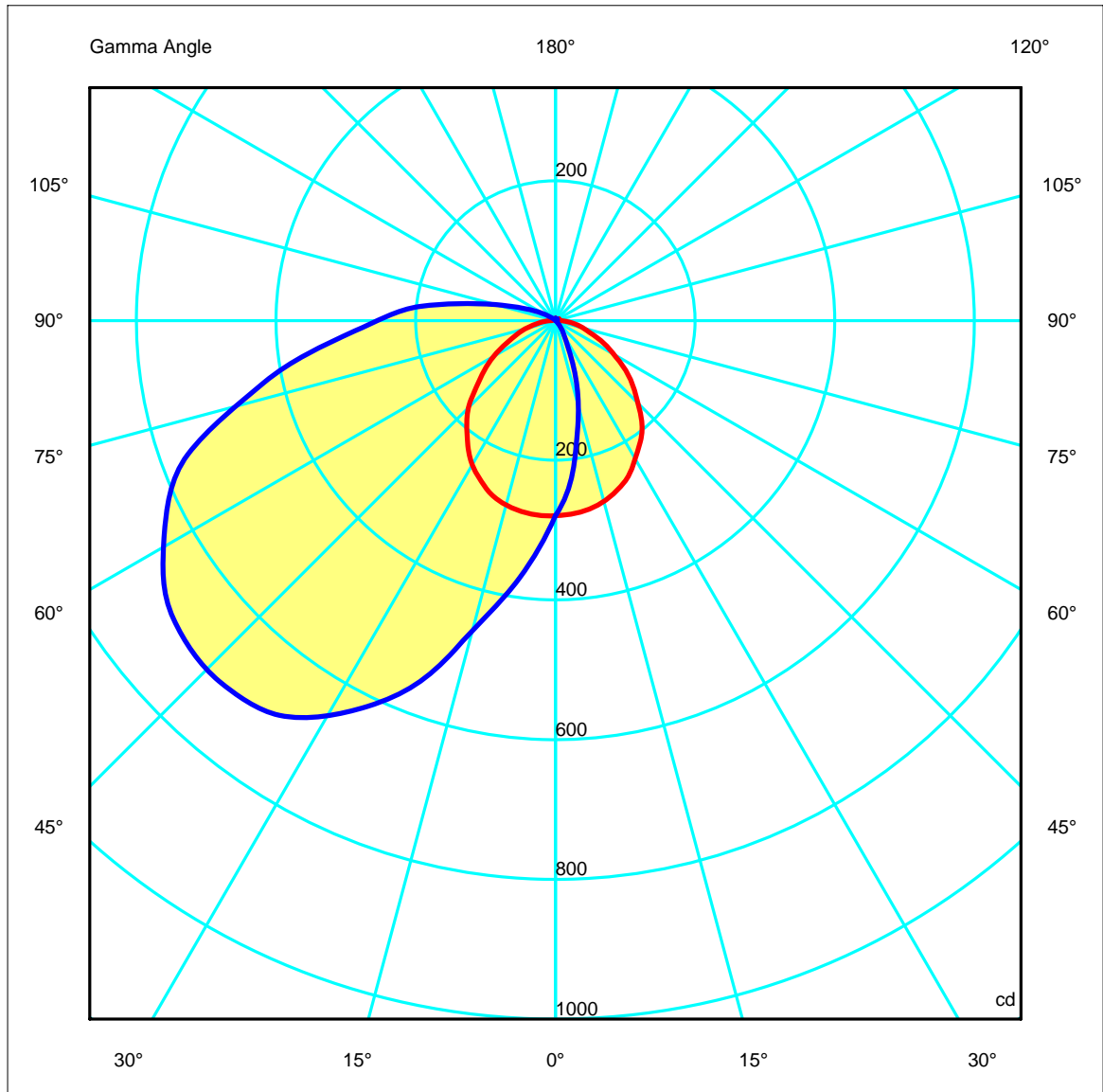
Download photometric file .ldt / .ies

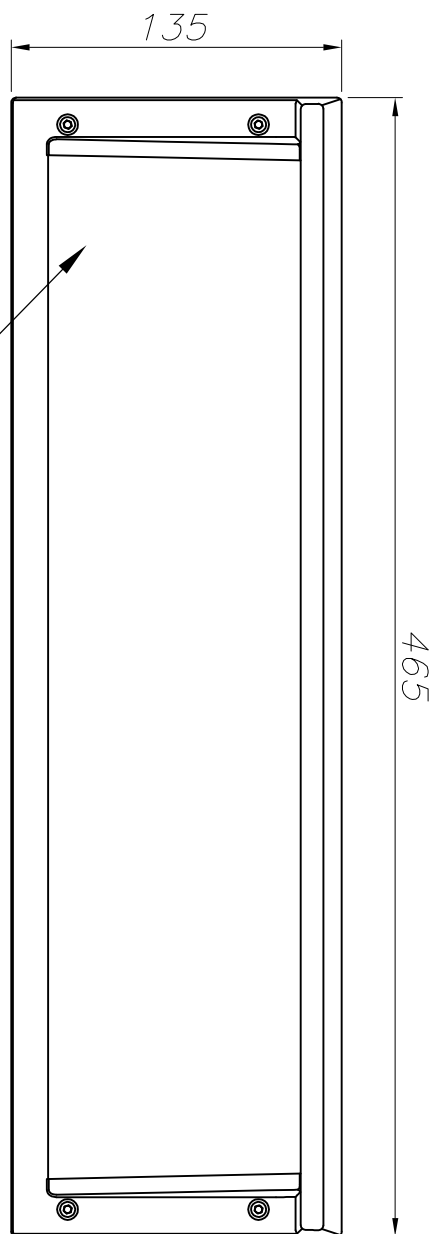
Luminaire		Measurement		Lamp	
Code	05-9457	Code	05-9457	Code	PLC2684
Name	Aplique 2X26W PL-C	Name	Aplique 2x26W PL-C	Number	2
Line	- LEDS-C4	Date	29-12-2010	Position	Universal
Efficiency	41.02%	Coordinate system	C-G	Total Flux	3600.00 lm
Maximum value	782.58 cd	Position	C=285.00 G=45.00		Asymmetrical

465mm x 135mm

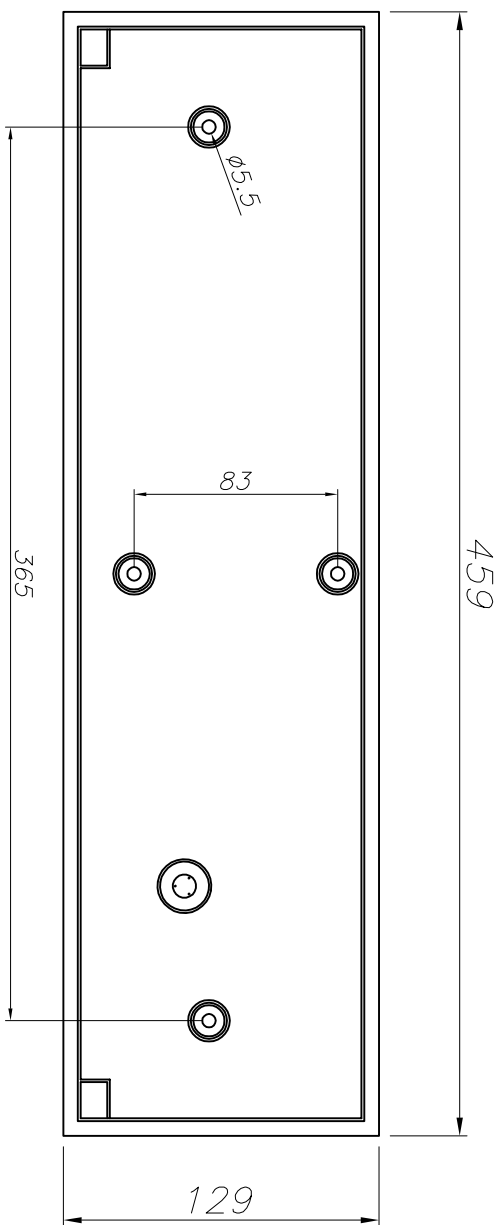
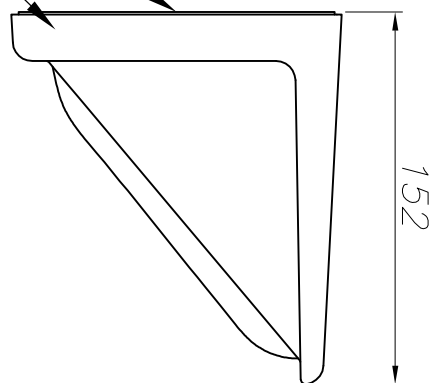


C Halfplanes





ALUMINIO DE ALTA PUREZA  
HIGH QUALITY ALUMINIUM



PLANTILLA DE INSTALACIÓN  
INSTALLATION TEMPLATE

