

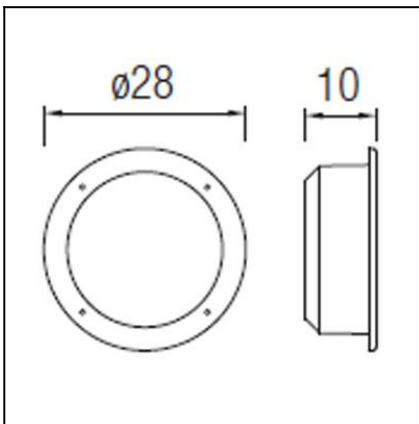
OUT 

DALTON

05-9467-34-B8



The photograph may not match the reference exactly. Please read the product description to identify the finish.



TECHNICAL CHARACTERISTICS

Type:	Wall fixture
IP Protection degrees:	IP54
IK Protection degrees:	IK04
Lampholder:	2 x G24d2
Power (W):	G24d2 18W
Voltage / Frequency:	230V/50Hz
Units per box:	2
Net Weight (Kg):	2.56
EAN:	8435111081785



MATERIALS / FINISHES

Structure material: High purity aluminium

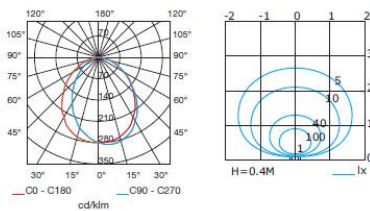
Diffuser material: Glass

Structure finish: Grey

Diffuser finish: Matt

GEAR

Gear included: Yes, Magnetic

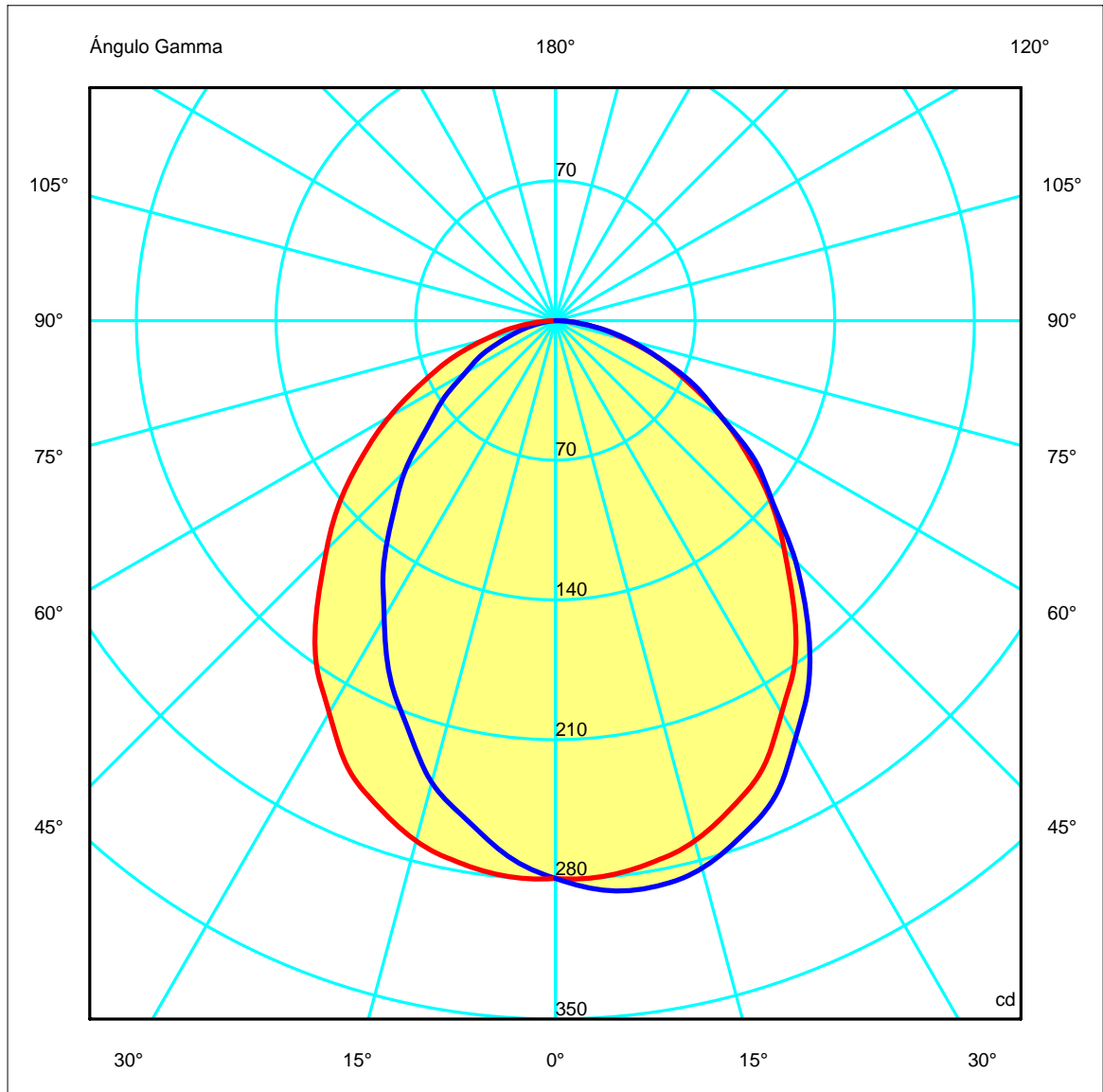
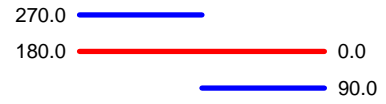
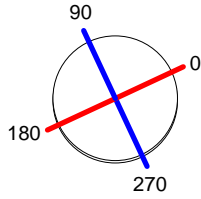


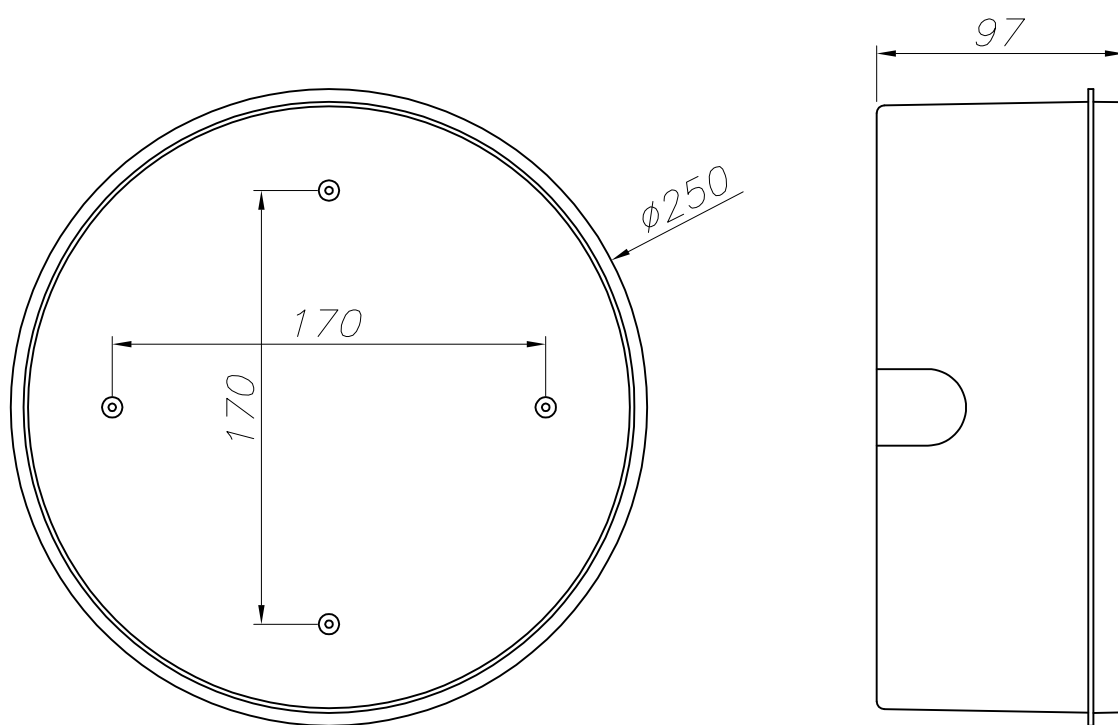
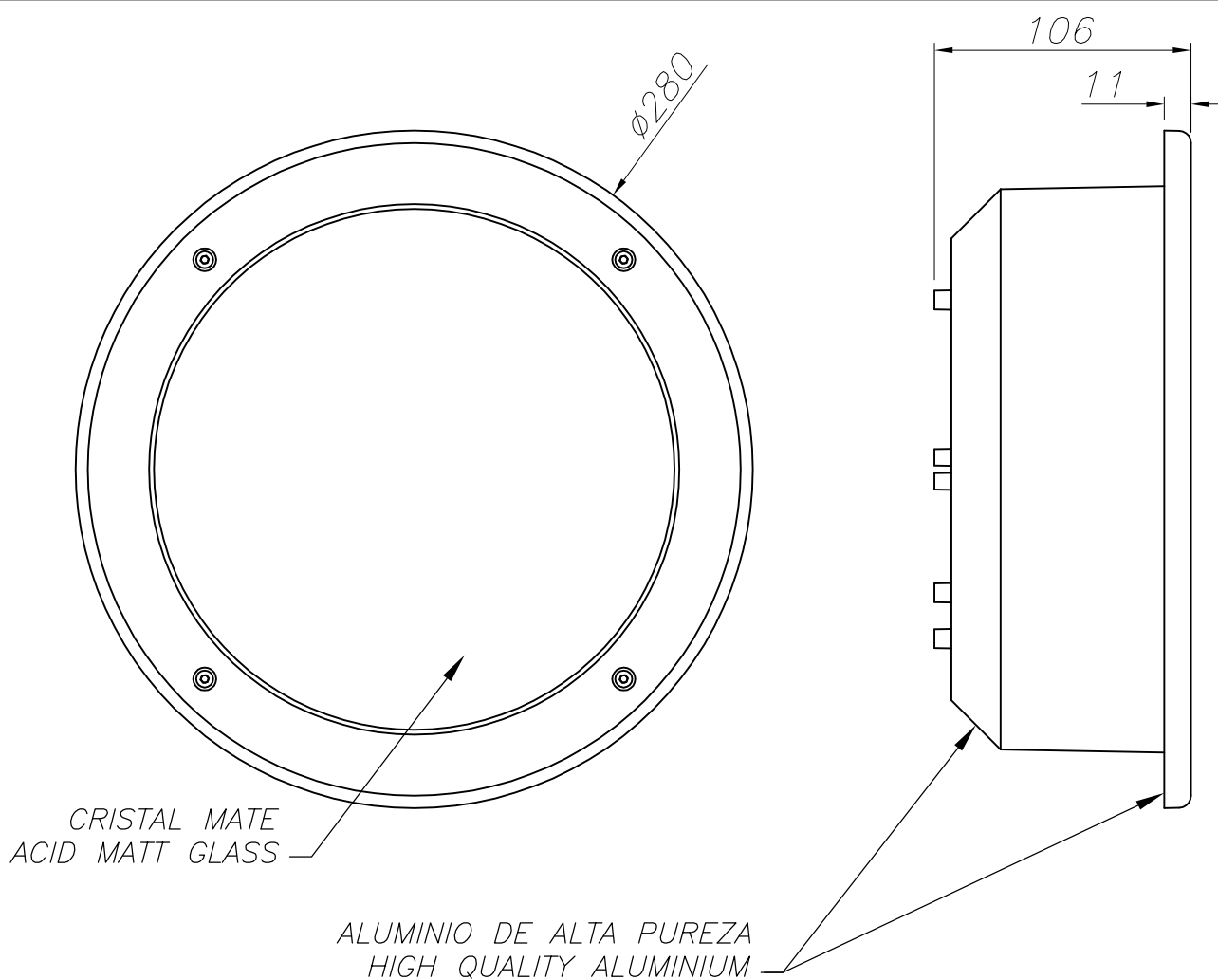
Download photometric file .ldt / .ies

Luminaria		Ensayo		Lámpara	
Código	05-9467-34-B8	Código	55-9430	Código	PLT1884
Nombre	Uplight 2x18W TC-T opal	Nombre	Uplight 2x26W TC-T opal	Número	2
Familia	- LEDS-C4	Fecha	23-11-2009	Posición	Universal
Eficiencia	26.63%	Sist. de Coorden.	C-G	Flujo Total	2400.00 lm
Valor Máximo	287.92 cd	Posición	C=90.00 G=10.00	Sim. en los planos	270-90

Diam=280mm Incasso

Semiplanos C





CAJA DE EMPOTRAR
FLUSH FITTING BOX

