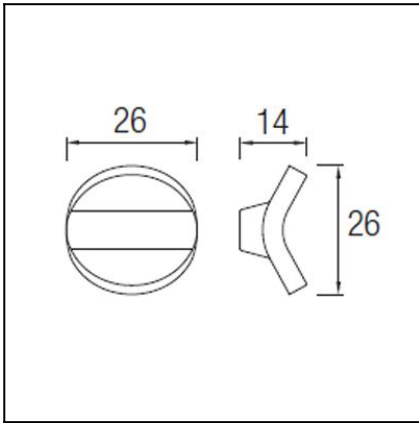


The photograph may not match the reference exactly. Please read the product description to identify the finish.



TECHNICAL CHARACTERISTICS

| | |
|------------------------|---------------|
| Type: | Wall fixture |
| IP Protection degrees: | IP54 |
| IK Protection degrees: | IK06 |
| Lampholder: | 1 x G24d3 |
| Power (W): | G24d3 26W |
| Voltage / Frequency: | 230V/50Hz |
| Units per box: | 4 |
| Net Weight (Kg): | 1.735 |
| EAN: | 8435111081853 |

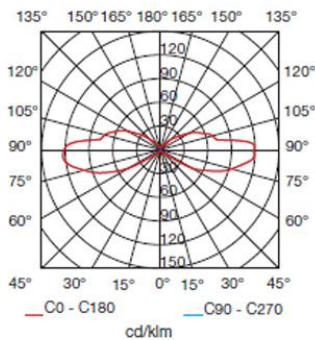


MATERIALS / FINISHES

| | | | |
|----------------------------|-----------------------|---------------------------|-------------|
| Structure material: | High purity aluminium | Diffuser material: | Glass |
| Structure finish: | Urban grey | Diffuser finish: | Sandblasted |

GEAR

Gear included: Yes, Magnetic

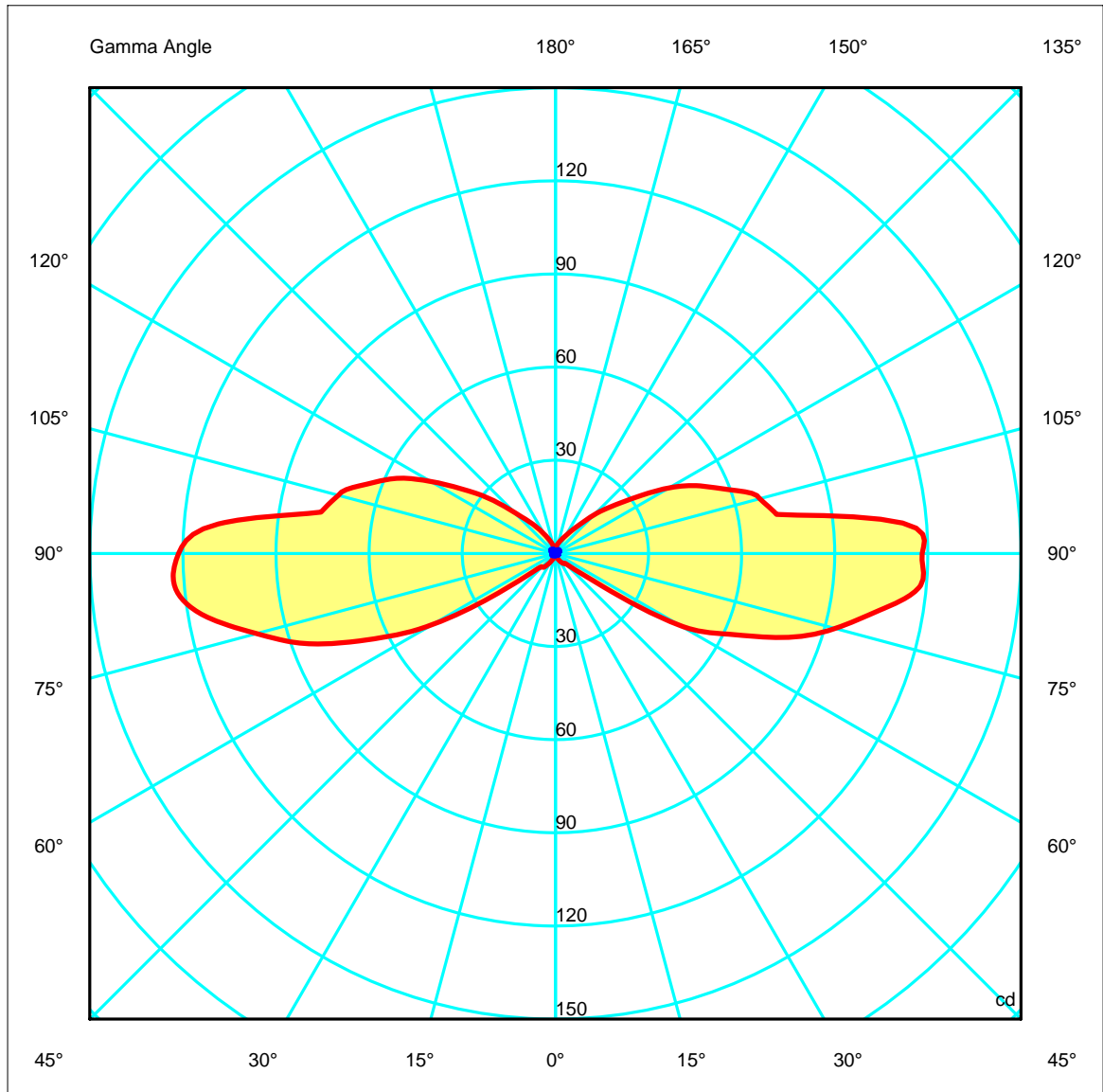
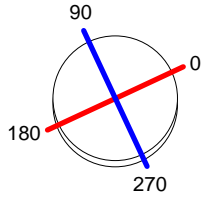


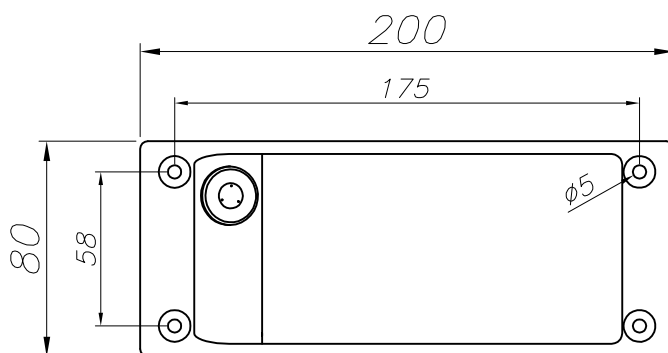
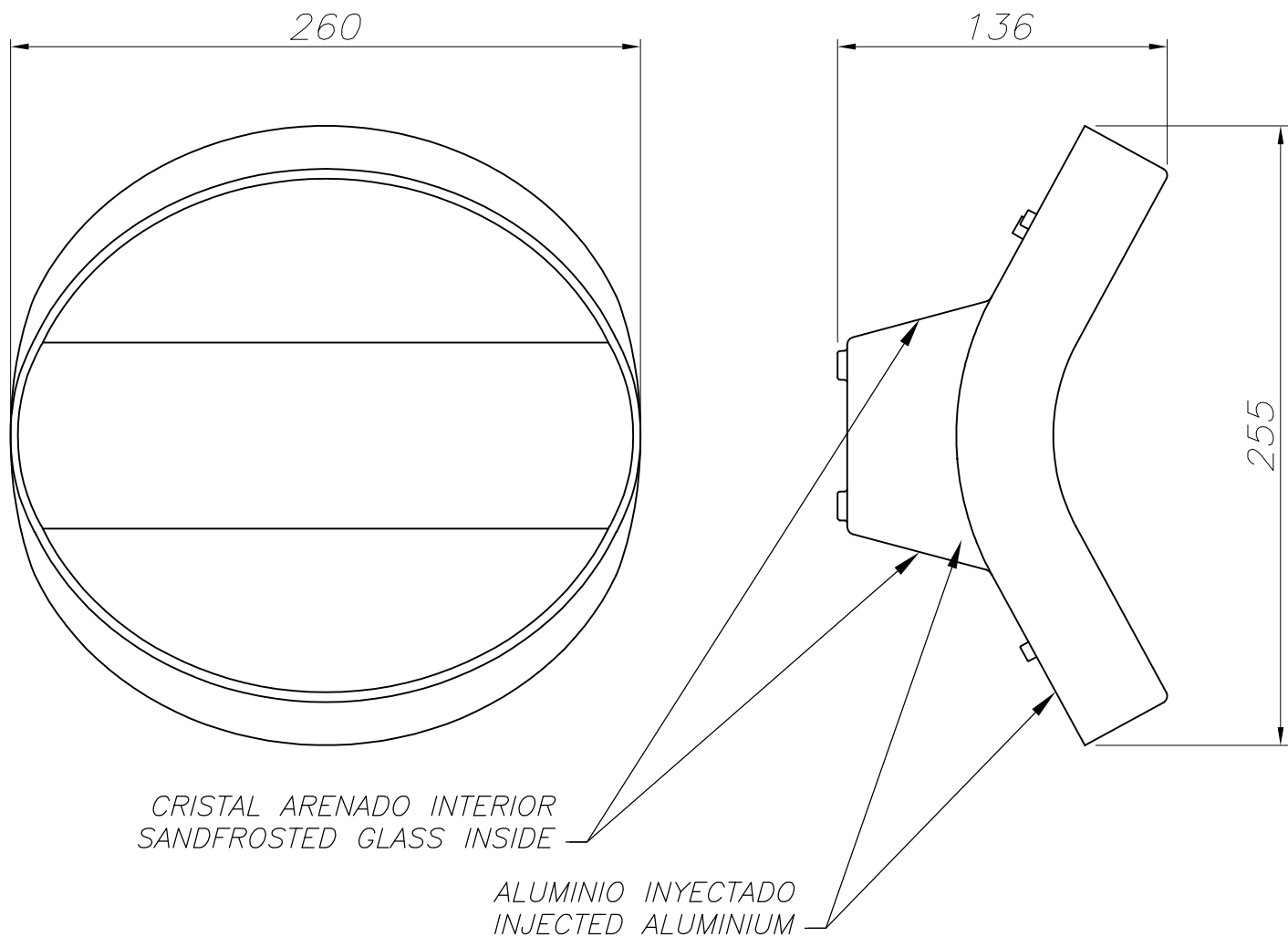
Download photometric file .ldt / .ies

| Luminaire | | Measurement | | Lamp | |
|---------------|-----------------------------|-------------------|------------------|------------|--------------|
| Code | 05-9471 | Code | 05-9471 | Code | DD2641 |
| Name | Aplique 1x26W Fluorescencia | Name | Aplique 26W Fluo | Number | 1 |
| Line | - LEDS-C4 | Date | 30-12-2010 | Position | Universal |
| Efficiency | 14.67% | Coordinate system | C-G | Total Flux | 1800.00 lm |
| Maximum value | 123.08 cd | Position | C=180.00 G=85.00 | | Asymmetrical |

Diam=260mm

C Halfplanes





PLANTILLA DE INSTALACION
INSTALLATION TEMPLATE

