

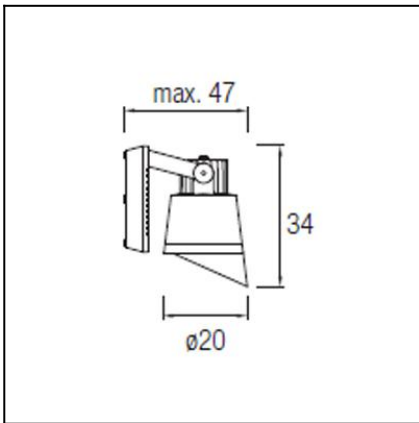
**OUT** 

# HUBBLE

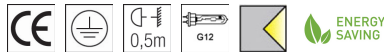
## 05-9502-34-37

**Design by Francesc Vilaró**


The photograph may not match the reference exactly. Please read the product description to identify the finish.


**TECHNICAL CHARACTERISTICS**

Type:	Spotlight
Adjustable $\pm 90^\circ$ on the horizontal axis.	
IP Protection degrees:	IP65
IK Protection degrees:	IK05
Lampholder:	1 x G12
Power (W):	G12 150W
Voltage / Frequency:	230V/50-60Hz
Units per box:	2
Net Weight (Kg):	3.59
EAN:	8435111081938

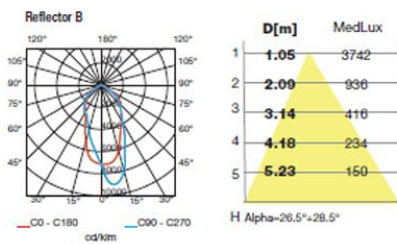

**MATERIALS / FINISHES**

**Structure material:** High purity aluminium  
**Structure finish:** Grey

**Diffuser material:** Glass  
**Diffuser finish:** Tempered

**GEAR**

Gear included: Yes, electronic

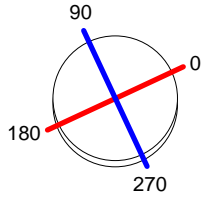


Download photometric file .ldt / .ies

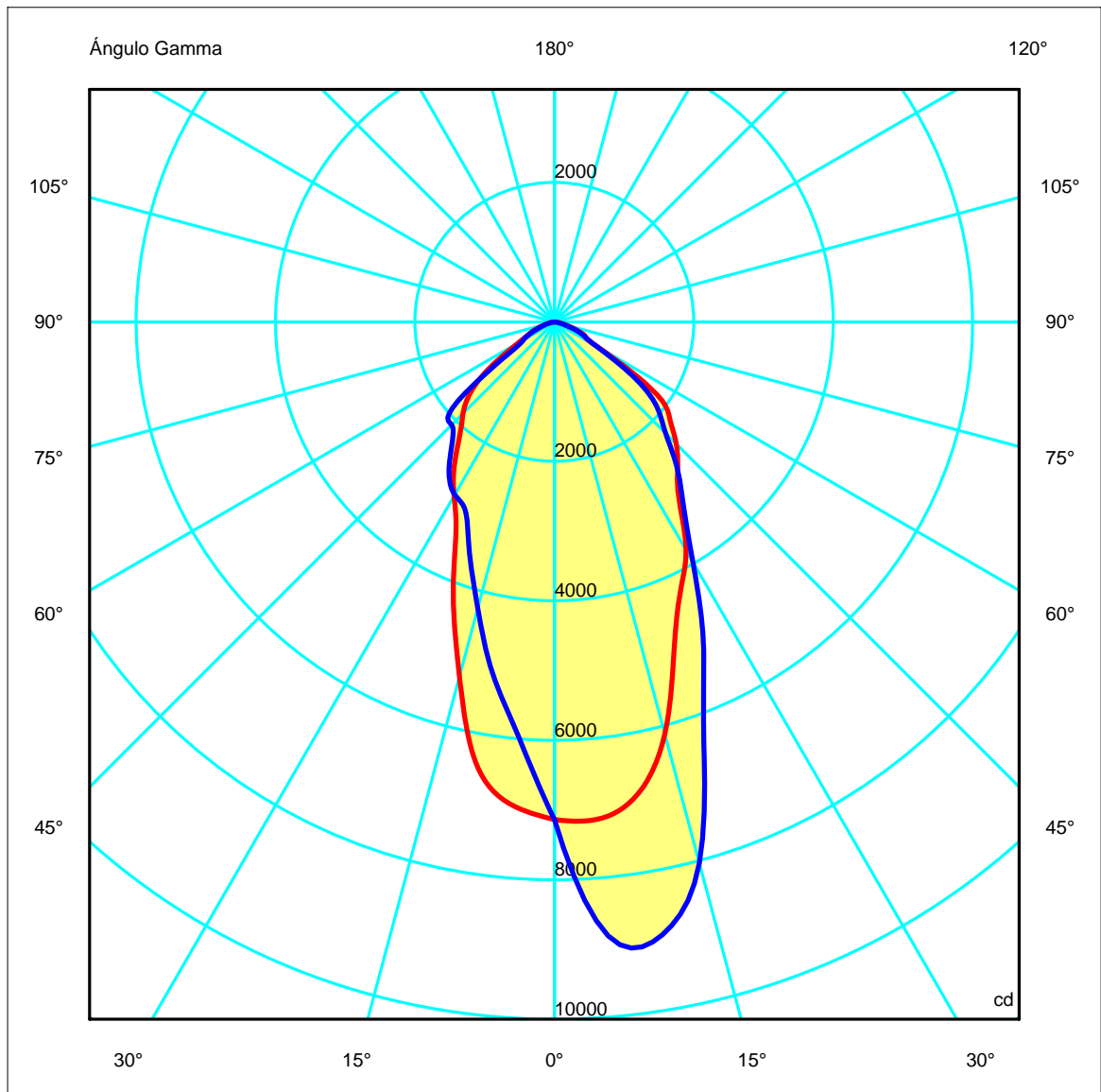
<b>Luminaria</b>		<b>Ensayo</b>		<b>Lámpara</b>	
Código	05-9502-34-37	Código	05-9474-A	Código	HCIT150NDL
Nombre	Proyector 150W HID R. Mate	Nombre	Proyector Refl Mate 70W HID	Número	1
Familia	- LEDS-C4	Fecha	29-12-2010	Posición	Universal
Eficiencia	70.06%	Sist. de Coorden.	C-G	Flujo Total	12700.00 lm
Valor Máximo	8922.21 cd	Posición	C=90.00 G=10.00		Asimétrico

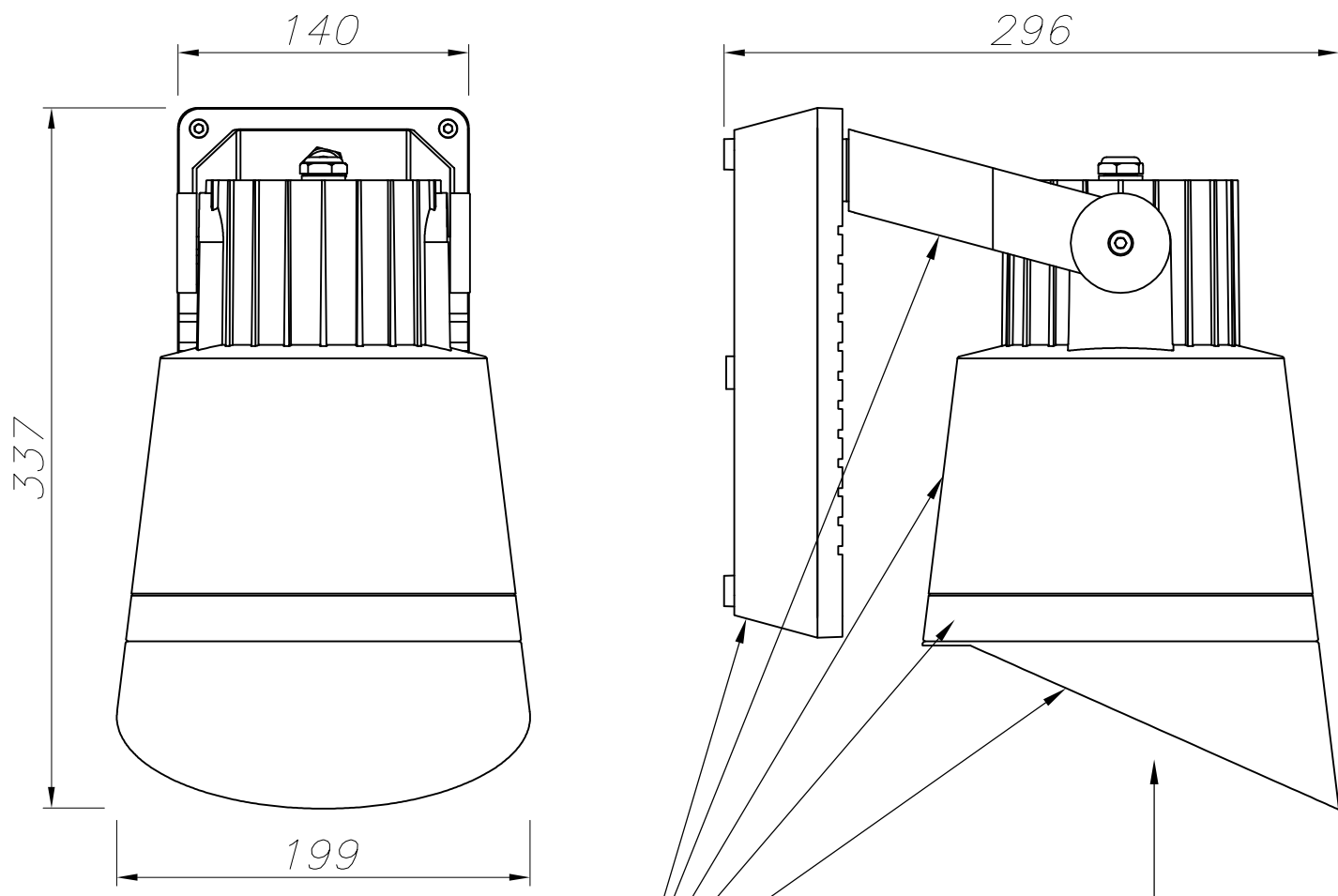
Diam=199mm

Semiplanos C



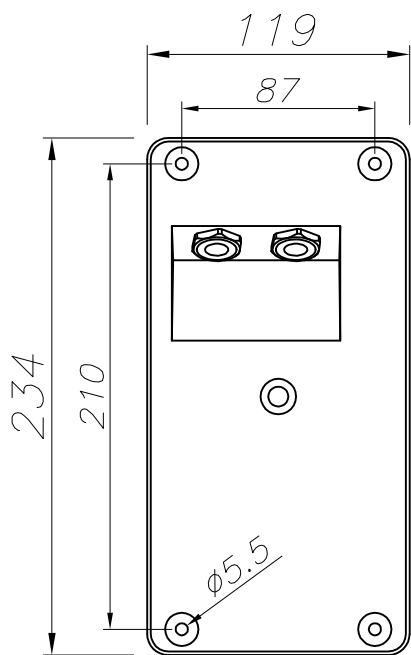
180.0 ————— 0.0  
 270.0 ————— 90.0





ALUMINIO DE ALTA PUREZA  
HIGH QUALITY ALUMINIUM

CRISTAL TRANSPARENTE  
TRANSPARENT GLASS



PLANTILLA DE INSTALACION  
INSTALLATION TEMPLATE

