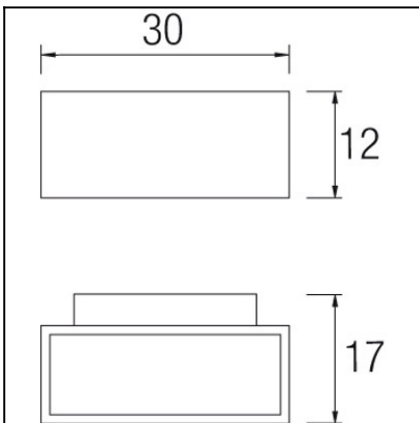


AFRODITA LED

05-9531-Z5-T2



The photograph may not match the reference exactly. Please read the product description to identify the finish.



DESCRIPTION

Straight edged lamp designed for lighting vertical surfaces. Injected aluminium body and tempered glass diffuser. Available in various sizes and finishes: white, light grey, dark grey and brown. Available in different wattages for metal halide lamps, LED and fluorescent lights.

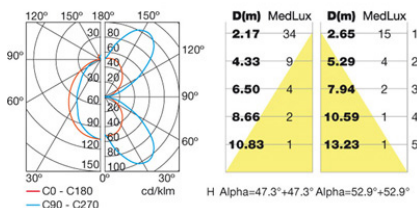
TECHNICAL CHARACTERISTICS

Type:	Wall fixture
IP Protection degrees:	IP65
IK Protection degrees:	IK04
Bulb:	8 x LED Cree. Neutral white (5000 - 3700 K)
Power (W):	3
Total power consumption (W):	21.9
Voltage / Frequency:	100-240V/50-60Hz
Warranty (Years):	2
Option to extend the guarantee:	Yes, 5 years
Units per box:	2
Net Weight (Kg):	2.35
EAN:	8,43511E+12



MATERIALS / FINISHES

Structure material:	High purity aluminium	Diffuser material:	Glass
Structure finish:	Urban grey	Diffuser finish:	Matt

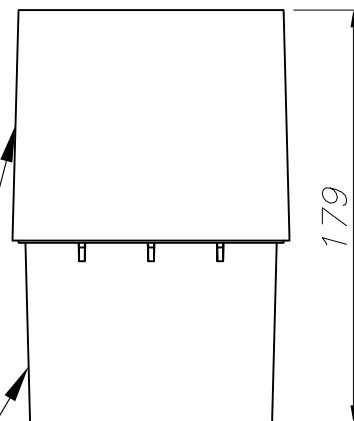
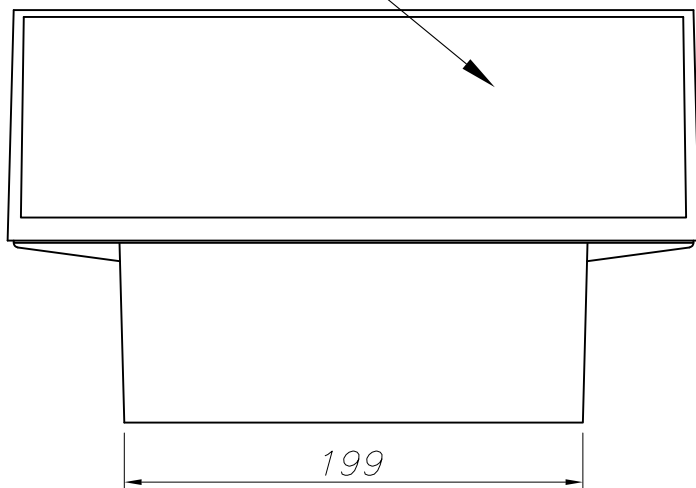


GEAR

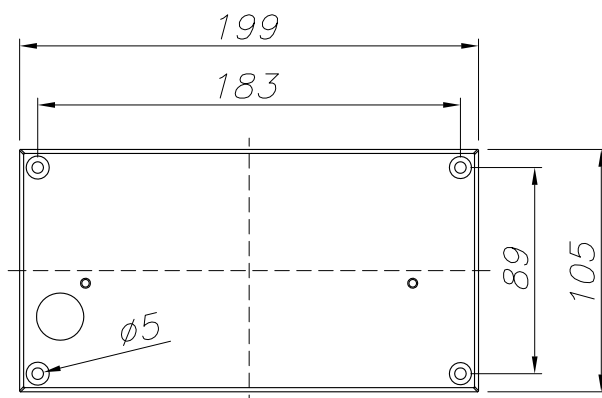
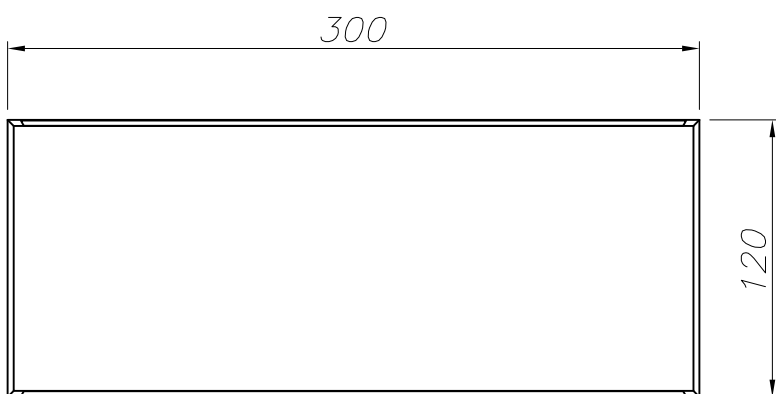
Multi-voltage electronic gear included (110-240 V / 50-60 Hz)

Download photometric file .ldt / .ies

CRISTAL ARENADO INTERIOR
SANDFROSTED GLASS INSIDE



ALUMINIO INYECTADO
INJECTED ALUMINIUM



PLANTILLA DE INSTALACIÓN
INSTALLATION TEMPLATE

