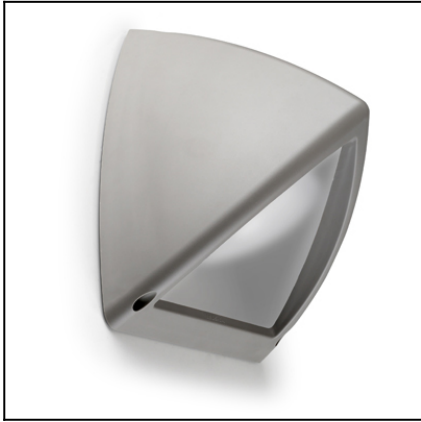


OUT 

PIRAMID

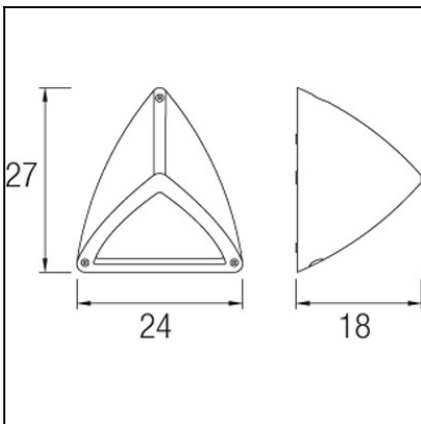
05-9559-34-B8



The photograph may not match the reference exactly. Please read the product description to identify the finish.

TECHNICAL CHARACTERISTICS

Type:	Wall fixture
IP Protection degrees:	IP54
Lampholder:	1 x E27
Power (W):	E27 max. 23W
Voltage / Frequency:	220-240V/50-60Hz
Units per box:	12
Net Weight (Kg):	0.64
EAN:	8435111089361



MATERIALS / FINISHES

Structure material: ABS
Structure finish: Grey

Diffuser material: Glass
Diffuser finish: Matt

Download photometric file .ldt /.ies

Report No.: 05-9559

Test Time: 2012-12-7 17:19

Luminaire Property

Luminaire Manufacturer: LEDS-C4
 Luminaire Category: 05-9559
 Lamp Catalog: FLUORESCENT
 Number of Lamps: 1
 Luminous Length (mm): 242
 Luminous Height (mm): 269
 Current: 0.128 A
 Power Factor: 0.534

Luminaire Description: PIRAMID
 Lamp Description: PL E27 23W
 Lumens per Lamp: 1400
 Luminous Width (mm): 183
 Voltage: 220.7 V
 Power: 15.10 W

Photometric Results

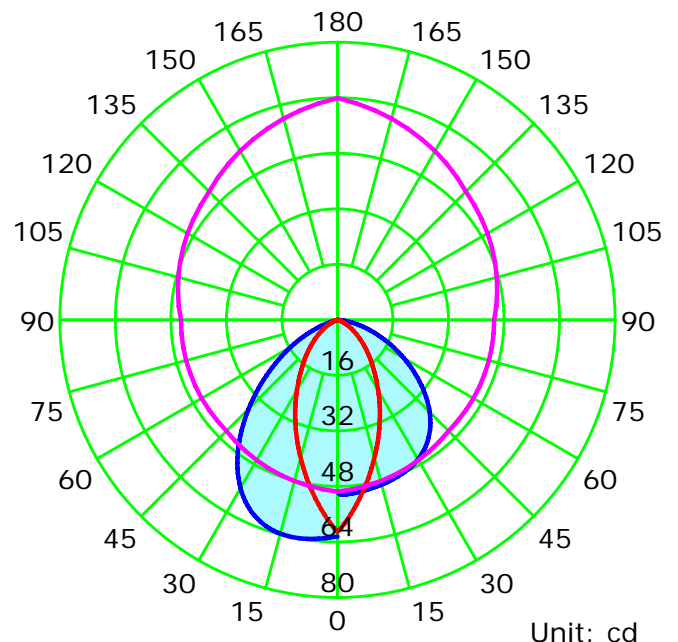
CIE Class: Direct
 Measurement Flux: 89.2 lm
 Downward Ratio: 6.37%
 Horizontal Diffuse Angle(10%,20%,50%,75%): H146.7,H134.4,H105,H81.6
 Vertical Diffuse Angle(10%,20%,50%,75%): V109.1,V87.1,V47.2,V23.1
 Luminaire Efficacy Rating (LER): 6
 Max. Intensity: 63.94 cd

Total Rated Lamp Lumens: 1400.0 lm
 Efficiency: 6.37%
 Upward Ratio: 0.00%
 Horizontal Diffuse Angle(10%,20%,50%,75%): H146.7,H134.4,H105,H81.6
 Vertical Diffuse Angle(10%,20%,50%,75%): V109.1,V87.1,V47.2,V23.1
 Central Intensity: 49.72 cd
 Pos of Max. Intensity: H180 V12

Picture Of Luminaire



Luminous Intensity Distribution Curve



Average Diffuse Angle(50%): 76.1°

— C0-C180 — C90-C270 — G12

C Plane (°):0.0-180.0: 45.0

Test Lab:

Test Type: TYPE C

Temperature:

Operator:

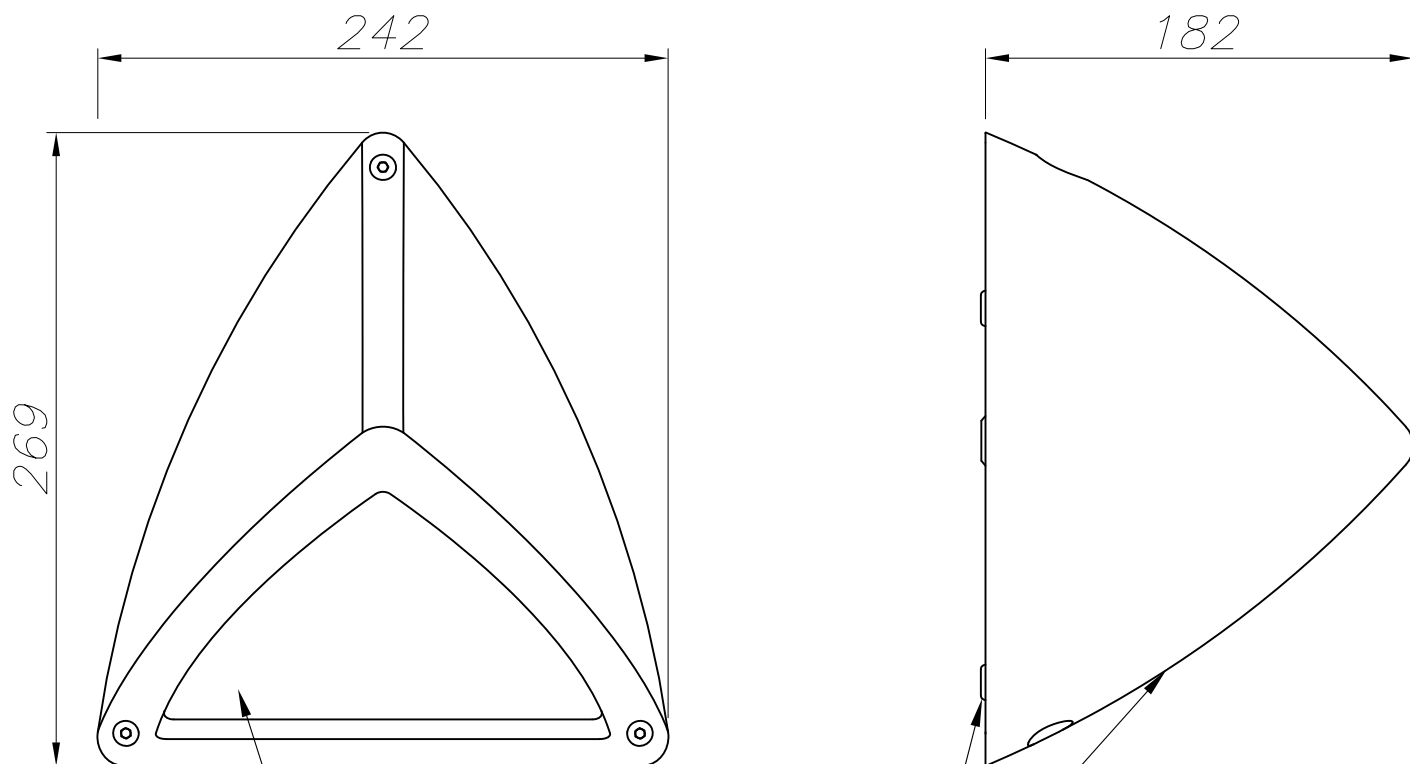
Gamma Plane (°):0.0-180.0:1.0

Test Device: GPM-1800B

Distance: 5.107 m

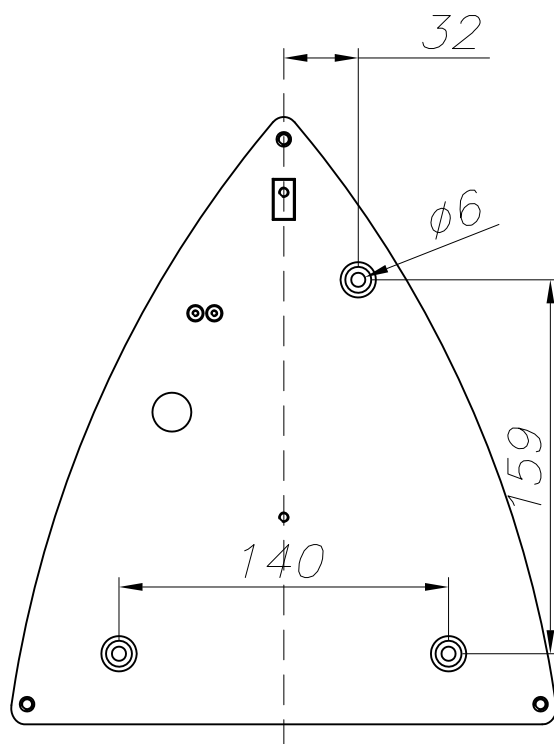
Humidity:

Inspector:



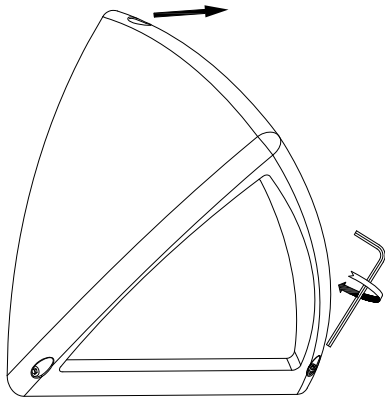
ABS ACABADO MATE
ABS, MATT FINISH

CRISTAL MATE
ACID MATT GLASS

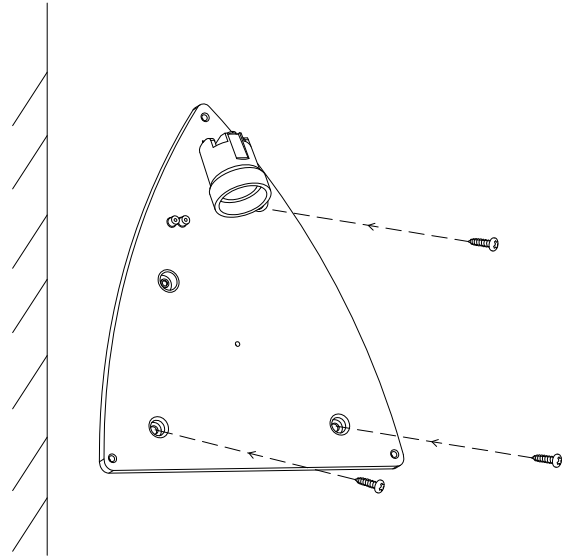


PLANTILLA DE INSTALACIÓN
INSTALLATION TEMPLATE

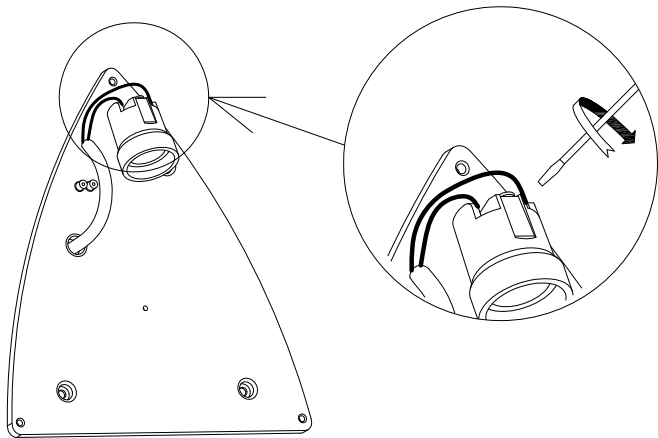
①



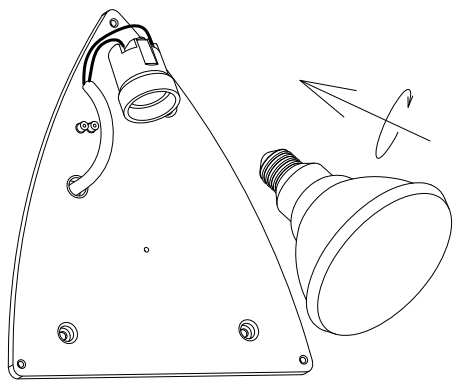
②



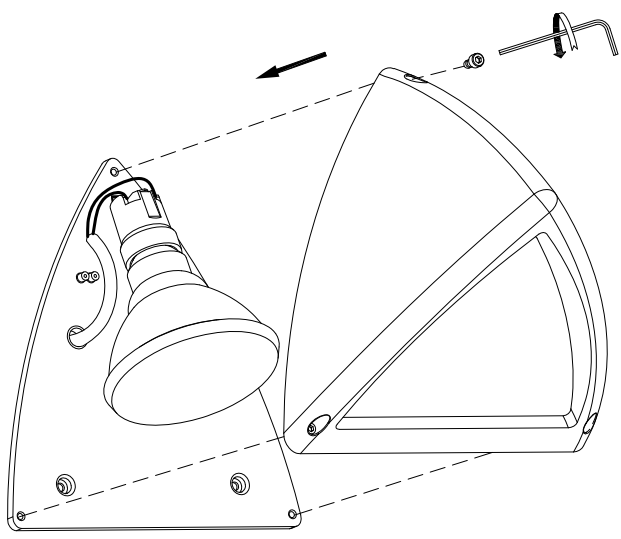
③



④



⑤



⑥

