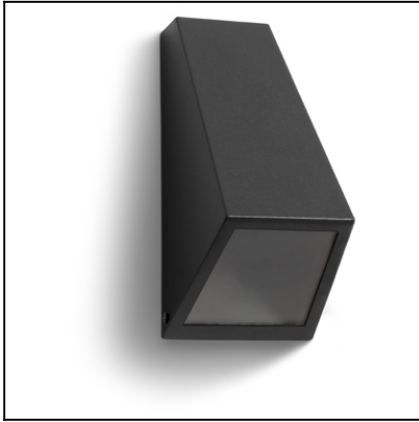


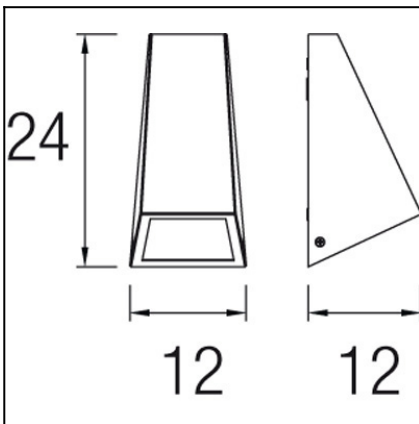
OUT 

ANGLE

05-9566-Z5-B8

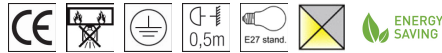


The photograph may not match the reference exactly. Please read the product description to identify the finish.



TECHNICAL CHARACTERISTICS

Type:	Wall fixture
IP Protection degrees:	IP44
IK Protection degrees:	IK04
Lampholder:	1 x E27
Power (W):	E27 max. 60W
Voltage / Frequency:	220-240V/50-60Hz
Units per box:	12
Net Weight (Kg):	0.855
EAN:	8435111088609



MATERIALS / FINISHES

Structure material: Galvanized steel

Diffuser material: Glass

Structure finish: Urban grey

Diffuser finish: Matt

Download photometric file .ldt /.ies

Report No.: 05-9566

Test Time: 2012-12-7 11:21

Luminaire Property

Luminaire Manufacturer: LEDS-C4
 Luminaire Category: 05-9566
 Lamp Catalog: INCANDESCENT
 Number of Lamps: 1
 Luminous Length (mm): 120
 Luminous Height (mm): 240
 Current: 0.250 A
 Power Factor: 0.999

Luminaire Description: Angle
 Lamp Description: A TYPE E27 60W
 Lumens per Lamp: 450
 Luminous Width (mm): 120
 Voltage: 220.7 V
 Power: 55.20 W

Photometric Results

CIE Class: Direct

Measurement Flux: 21.9 lm

Downward Ratio: 4.86%

Horizontal Diffuse Angle(10%,20%,50%,75%): H97.1,H80,H52.8,H35.3

Vertical Diffuse Angle(10%,20%,50%,75%): V94.7,V78.1,V50.9,V32.9

Luminaire Efficacy Rating (LER): 0

Max. Intensity: 24.5 cd

Total Rated Lamp Lumens: 450.0 lm

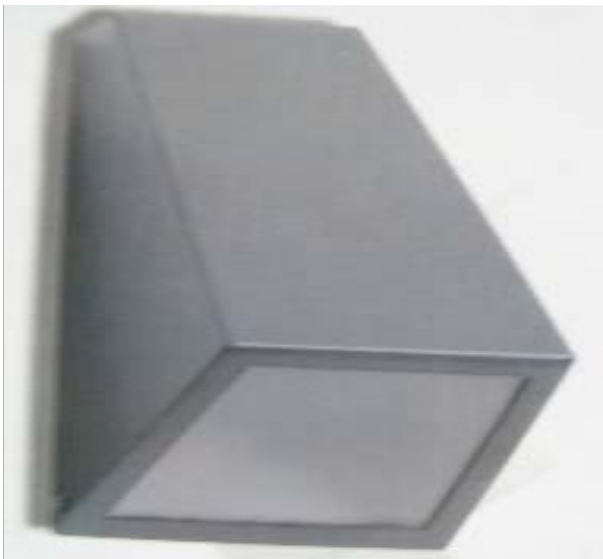
Efficiency: 4.86%

Upward Ratio: 0.00%

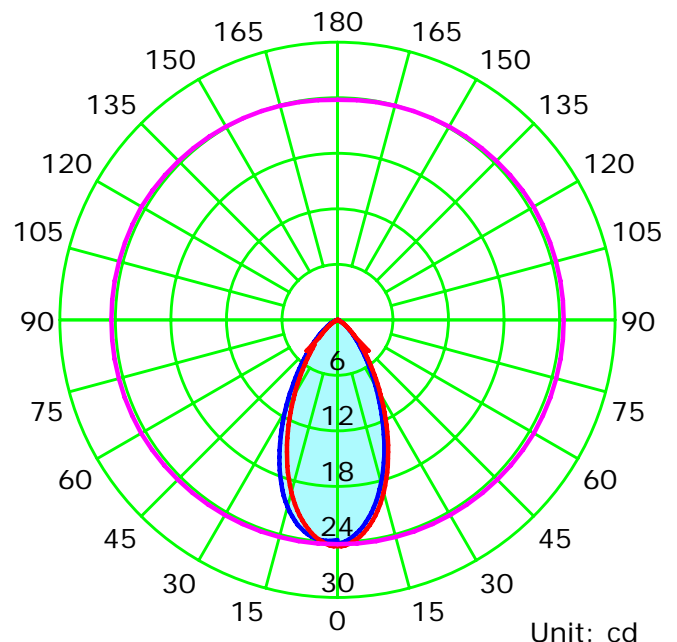
Central Intensity: 24.23 cd

Pos of Max. Intensity: H60 V0

Picture Of Luminaire



Luminous Intensity Distribution Curve



Average Diffuse Angle(50%): 51.9°

— C0-C180 — C90-C270 — G0

C Plane (°):0.0-180.0: 30.0

Test Lab:

Test Type: TYPE C

Temperature:

Operator:

Gamma Plane (°):0.0-180.0:1.0

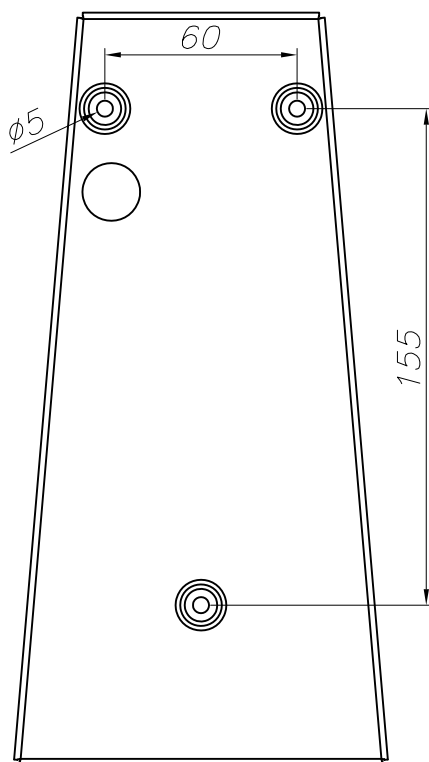
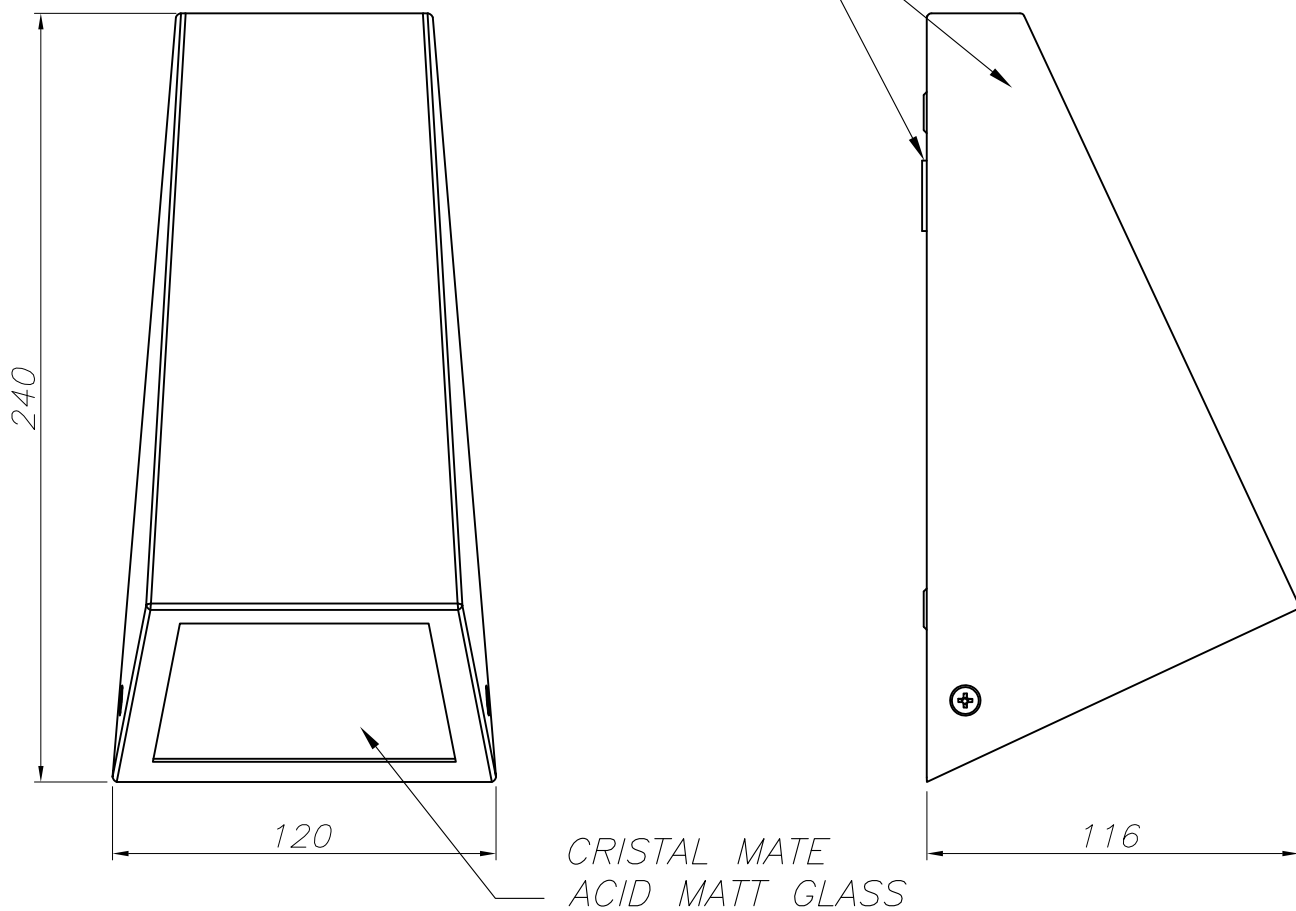
Test Device: GPM-1800B

Distance: 5.107 m

Humidity:

Inspector:

ACERO GALVANIZADO Y PINTADO
GALVANIZED AND PAINTED IRON



PLANTILLA DE INSTALACIÓN
INSTALLATION TEMPLATE

