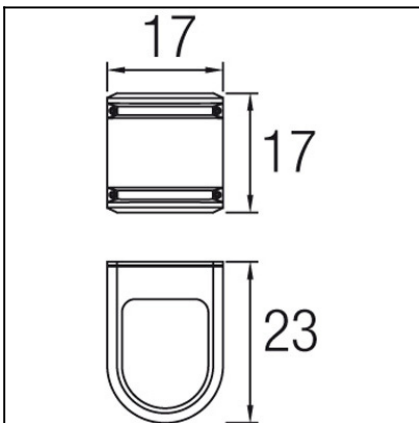




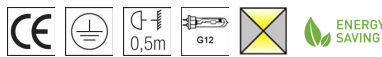
The photograph may not match the reference exactly. Please read the product description to identify the finish.


DESCRIPTION

Curved design light for lighting vertical surfaces. Body produced in high grade injected aluminium with a glass diffuser. Available in E-27 version for LED, compact fluorescent and halogen lamps and in HID G12 35W version. Includes BAG electronic components. Finished in light grey and dark grey. Light bulbs not included. Compatible with magnifying accessory for a closed angle effect available only in the discharge lamp version.

TECHNICAL CHARACTERISTICS

Type:	Wall fixture
IP Protection degrees:	IP65
IK Protection degrees:	IK08
Lampholder:	1 x G12
Power (W):	G12 max. 35W
Total power consumption (W):	44.7
Voltage / Frequency:	230V/50Hz
Units per box:	2
Net Weight (Kg):	3.38
EAN:	8435111089002


MATERIALS / FINISHES

Structure material: High purity aluminium

Diffuser material: Glass

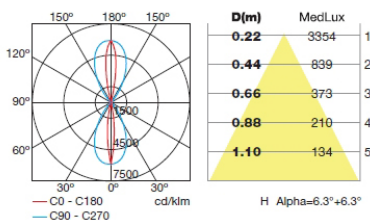
Structure finish: Grey

Diffuser finish: Transparent

GEAR

Gear included: Yes, electronic

G12 35W
con cristales lupa
with magnifying glass
С увеличительным стеклом



Download photometric file .ldt / .ies

71-9574-05-37

**Structure material:** Anodized aluminium**Structure finish:** Black**Diffuser material:** Glass**Diffuser finish:** Transparent

Report No.: 20130314007

Test Time: 2013-3-15 16:20

Luminaire Property

Luminaire Manufacturer: LEDS-C4
 Luminaire Category:
 Lamp Catalog:
 Number of Lamps: 1
 Luminous Length (mm): 240
 Luminous Height (mm): 90
 Current: 0.203 A
 Power Factor: 0.955

Luminaire Description: 05-9574
 Lamp Description: G12 35W
 Lumens per Lamp: 2800
 Luminous Width (mm): 110
 Voltage: 220.3 V
 Power: 42.90 W

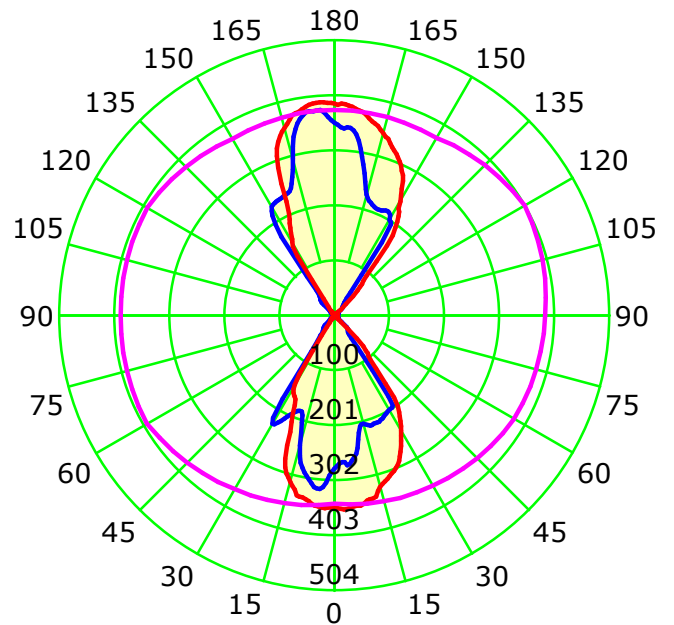
Photometric Results

CIE Class: General Diffuse
 Measurement Flux: 639.8 lm
 Downward Ratio: 11.17%
 Field Angle: H81.3 V78.1
 Luminaire Efficacy Rating (LER): 15
 Max. Intensity: 403.73 cd

Total Rated Lamp Lumens: 2800.0 lm
 Efficiency: 22.85%
 Upward Ratio: 11.68%
 Beam Angle: H65.8 V58.5
 Central Intensity: 280.99 cd
 Pos of Max. Intensity: H120 V176

Picture Of Luminaire ...

Luminous Intensity Distribution Curve

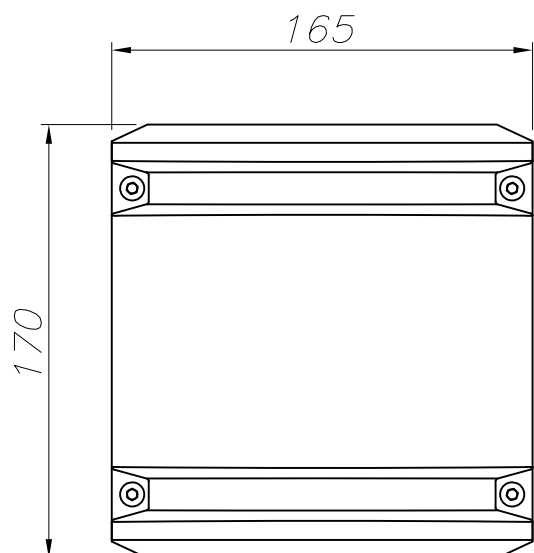


Unit: cd

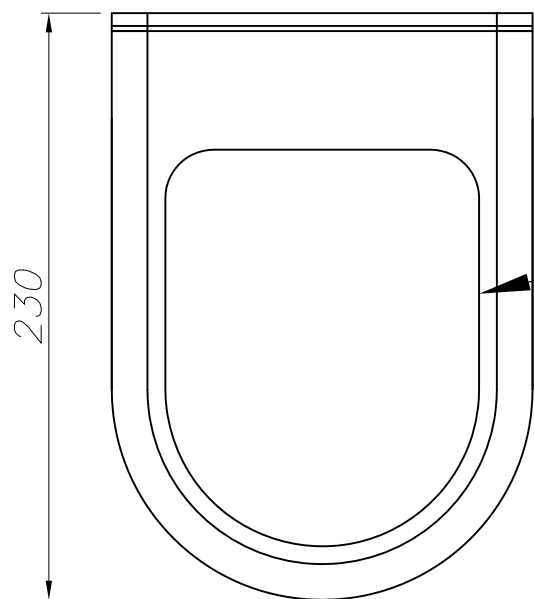
— C0-C180 — C90-C270 — G176

C Plane (°):0.0-360.0: 30.0
 Test Lab: INVENTFINE
 Test Type: TYPE C
 Temperature:
 Operator:

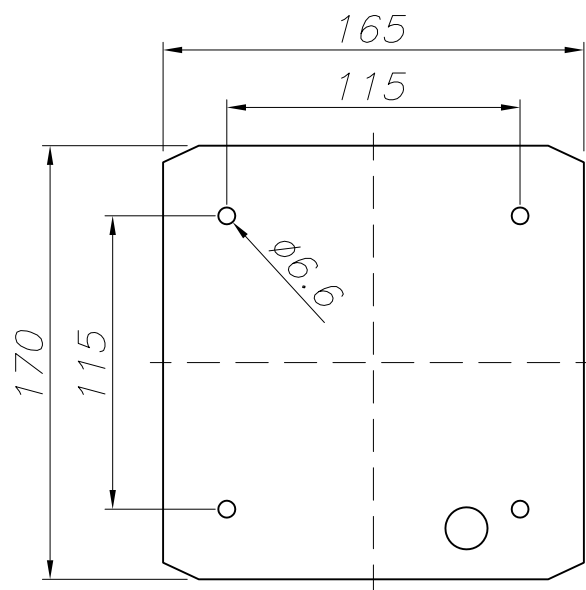
Gamma Plane (°):0.0-180.0:1.0
 Test Device: GPM-1800B
 Distance: 6.435 m
 Humidity:
 Inspector:



ALUMINIO INYECTADO
INJECTED ALUMINIUM



CRISTAL TRANSPARENTE
TRANSPARENT GLASS



PLANTILLA DE INSTALACIÓN
INSTALLATION TEMPLATE

