

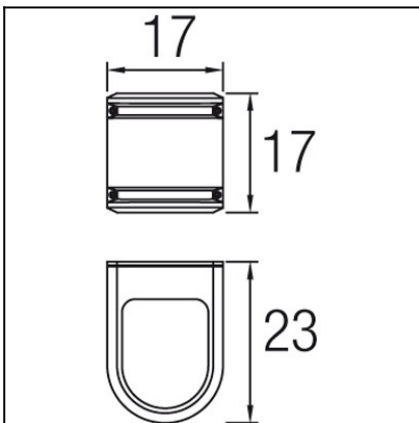
OUT 

NEO

05-9574-Z5-37



The photograph may not match the reference exactly. Please read the product description to identify the finish.



### DESCRIPTION

Curved design light for lighting vertical surfaces. Body produced in high grade injected aluminium with a glass diffuser. Available in E-27 version for LED, compact fluorescent and halogen lamps and in HID G12 35W version. Includes BAG electronic components. Finished in light grey and dark grey. Light bulbs not included. Compatible with magnifying accessory for a closed angle effect available only in the discharge lamp version.

### TECHNICAL CHARACTERISTICS

|                              |                  |
|------------------------------|------------------|
| Type:                        | Wall fixture     |
| IP Protection degrees:       | IP65             |
| IK Protection degrees:       | IK08             |
| Lampholder:                  | 1 x G12          |
| Power (W):                   | G12 35W          |
| Total power consumption (W): | 44.7             |
| Voltage / Frequency:         | 230V/50Hz        |
| Warranty (Years):            | 2                |
| Units per box:               | 2                |
| Net Weight (Kg):             | 3.38             |
| EAN:                         | 8435111089019,00 |



### MATERIALS / FINISHES

**Structure material:** High purity aluminium

**Diffuser material:** Glass

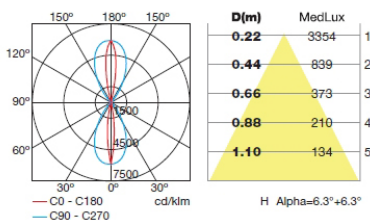
**Structure finish:** Urban grey

**Diffuser finish:** Transparent

### GEAR

Gear included: Yes, electronic

G12 35W  
con cristales lupa  
with magnifying glass  
С увеличительным стеклом



Download photometric file .ldt / .ies

71-9574-05-37



**Structure material:** Anodized aluminium

**Structure finish:** Black

**Diffuser material:** Glass

**Diffuser finish:** Transparent

Report No.: 20130314007

Test Time: 2013-3-15 16:20

## Luminaire Property

Luminaire Manufacturer: LEDS-C4  
 Luminaire Category:  
 Lamp Catalog:  
 Number of Lamps: 1  
 Luminous Length (mm): 240  
 Luminous Height (mm): 90  
 Current: 0.203 A  
 Power Factor: 0.955

Luminaire Description: 05-9574  
 Lamp Description: G12 35W  
 Lumens per Lamp: 2800  
 Luminous Width (mm): 110  
 Voltage: 220.3 V  
 Power: 42.90 W

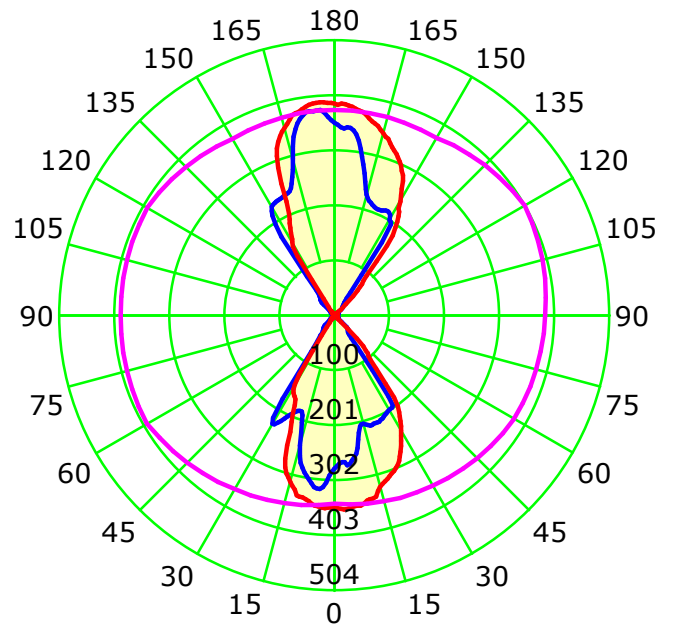
## Photometric Results

CIE Class: General Diffuse  
 Measurement Flux: 639.8 lm  
 Downward Ratio: 11.17%  
 Field Angle: H81.3 V78.1  
 Luminaire Efficacy Rating (LER): 15  
 Max. Intensity: 403.73 cd

Total Rated Lamp Lumens: 2800.0 lm  
 Efficiency: 22.85%  
 Upward Ratio: 11.68%  
 Beam Angle: H65.8 V58.5  
 Central Intensity: 280.99 cd  
 Pos of Max. Intensity: H120 V176

Picture Of Luminaire ...

Luminous Intensity Distribution Curve

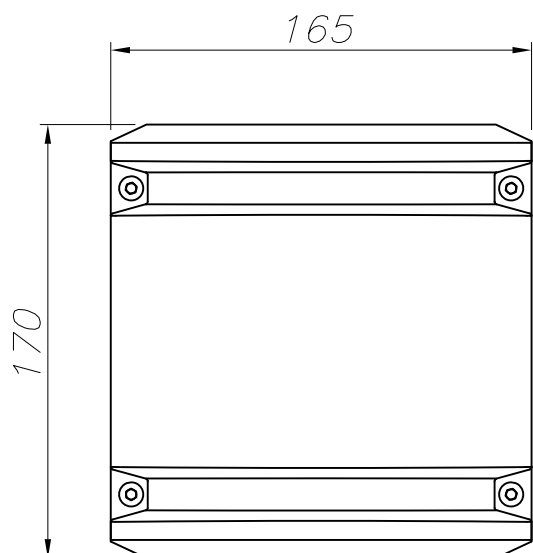


Unit: cd

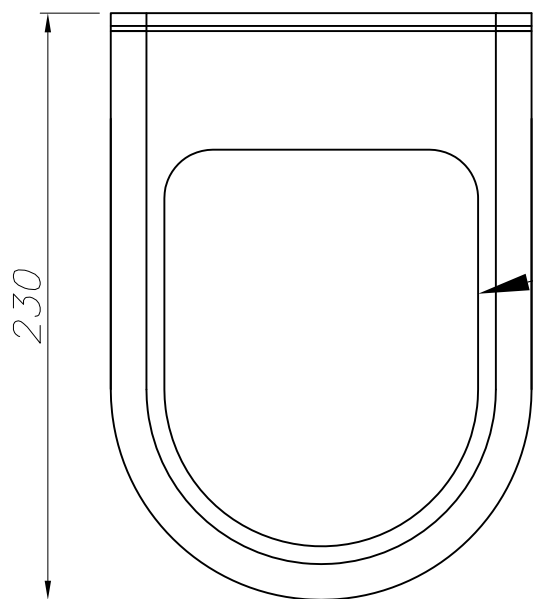
— C0-C180 — C90-C270 — G176

C Plane (°):0.0-360.0: 30.0  
 Test Lab: INVENTFINE  
 Test Type: TYPE C  
 Temperature:  
 Operator:

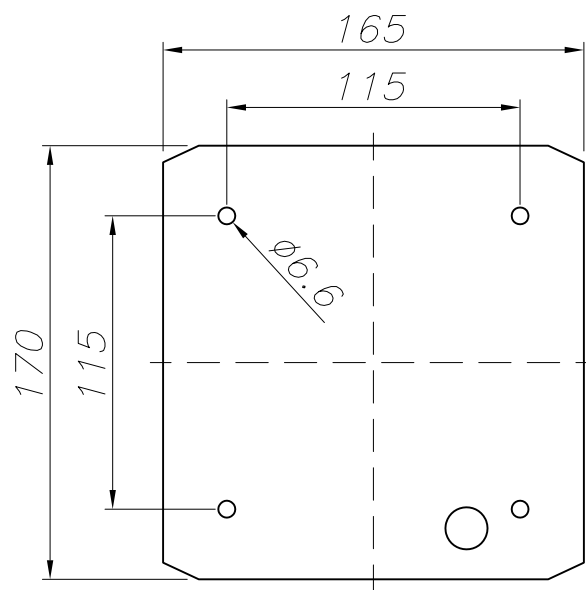
Gamma Plane (°):0.0-180.0:1.0  
 Test Device: GPM-1800B  
 Distance: 6.435 m  
 Humidity:  
 Inspector:



ALUMINIO INYECTADO  
INJECTED ALUMINIUM



CRISTAL TRANSPARENTE  
TRANSPARENT GLASS



PLANTILLA DE INSTALACIÓN  
INSTALLATION TEMPLATE

