

OUT 

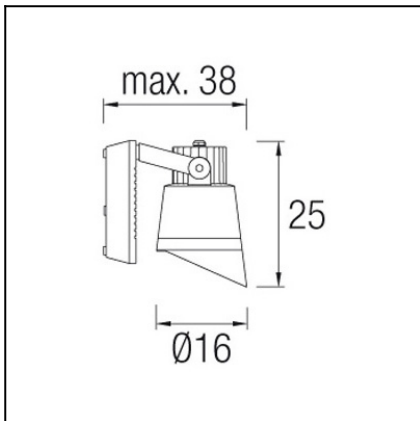
HUBBLE LED

05-9627-34-37

Design by Francesc Vilaró



The photograph may not match the reference exactly. Please read the product description to identify the finish.

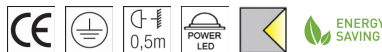


DESCRIPTION

Spotlight with body produced in high grade aluminium with a clear glass diffuser. LED light source comprising 9 PHILIPS POWER LED lights. Available in 4,200K, 3,000K and in RGB. Beam aperture of 44°. TCI driver included (100-240V) compatible with DALI, PUSH and 1-10V for the white LED versions. The RGB version includes driver and DMX controller at the base of the light. Finished in light grey. Rotatable. Its wire outlets on both sides makes it suitable for an array installation. Post included.

TECHNICAL CHARACTERISTICS

Type:	Focus
Adjustable $\pm 90^\circ$ on the horizontal axis.	
IP Protection degrees:	IP65
IK Protection degrees:	IK05
Bulb:	9 x LED Philips. Neutral white (5000 - 3700 K)
Power (W):	3
Voltage / Frequency:	100-240V/50-60Hz
Warranty (Years):	2
Option to extend the guarantee:	Yes, 5 years
Units per box:	2
Net Weight (Kg):	2.785
EAN:	8,43511E+12

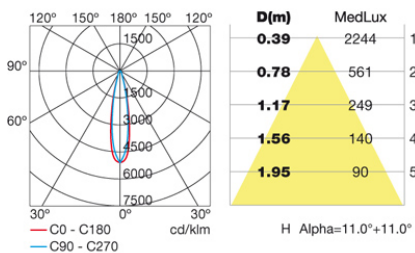


MATERIALS / FINISHES

Structure material:	High purity aluminium	Diffuser material:	Glass
Structure finish:	Grey	Diffuser finish:	Transparent

GEAR

Multi-voltage electronic gear included (110-240 V / 50-60 Hz)
Dimming protocol: 1-10V/Push/Dali

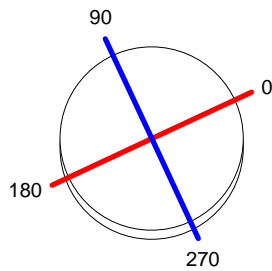


Download photometric file .ldt / .ies

Luminaria		Ensayo		Lámpara	
Código	05-9627-34-37 48°	Código	05-9626-34-37 48°	Código	LED 9X2.3W 4200K
Nombre	Proyector HUBBLE 21W 48°	Nombre	Proyector HUBBLE 21W 48°	Número	1
Familia	- LEDS C4 LEDS	Fecha	26-10-2012	Posición	Universal
Rendimiento	46.23%	Sist. de Coorden.	C-G	Flujo Total	1620.00 lm
Valor Máximo	1188.66 cd	Posición	C=0.00 G=0.00	Bisimétrico	
Luminaria Redonda	Diam. 160 mm	Altura	230 mm		
Área Luminosa Redonda	Diam. 96 mm	Altura	0 mm		
Área Luminosa Horizontal	0.007238 m ²	Área Emisión sobre Pl. 180°	0.000000 m ²		
Área Emisión sobre Pl. 0°	0.000000 m ²	Área Emisión sobre Pl. 270°	0.000000 m ²		
Área Emisión sobre Pl. 90°	0.000000 m ²	Área de deslumbramiento a 76°	0.001751 m ²		
Tipo de Simetría	Bisimétrico	Máximo Ángulo Gamma	90		
Distancia de Ensayo	6.44	Flujo de Ensayo	1620.00 lm		
Operador	Asselum T2	Tensión de alimentación	230.00 V		
Temperatura	20.00 °C	Corriente de alimentación			
Humedad	71.00 %	Fotocélula	PRC		
Notas					

Lámparas de la Luminaria					
Familia	Código	Nombre	Flujo/lm	Pot.W	Cant.
- LEDS C4 LEDS	LED 9X2.3W 4200K	Lampara led blanco 21W	1620.00	21.00	1
C.I.E.	92 99 100 100 46	D DIN 5040			
F UTE	0.46 A	B NBN		A60 BZ 1	

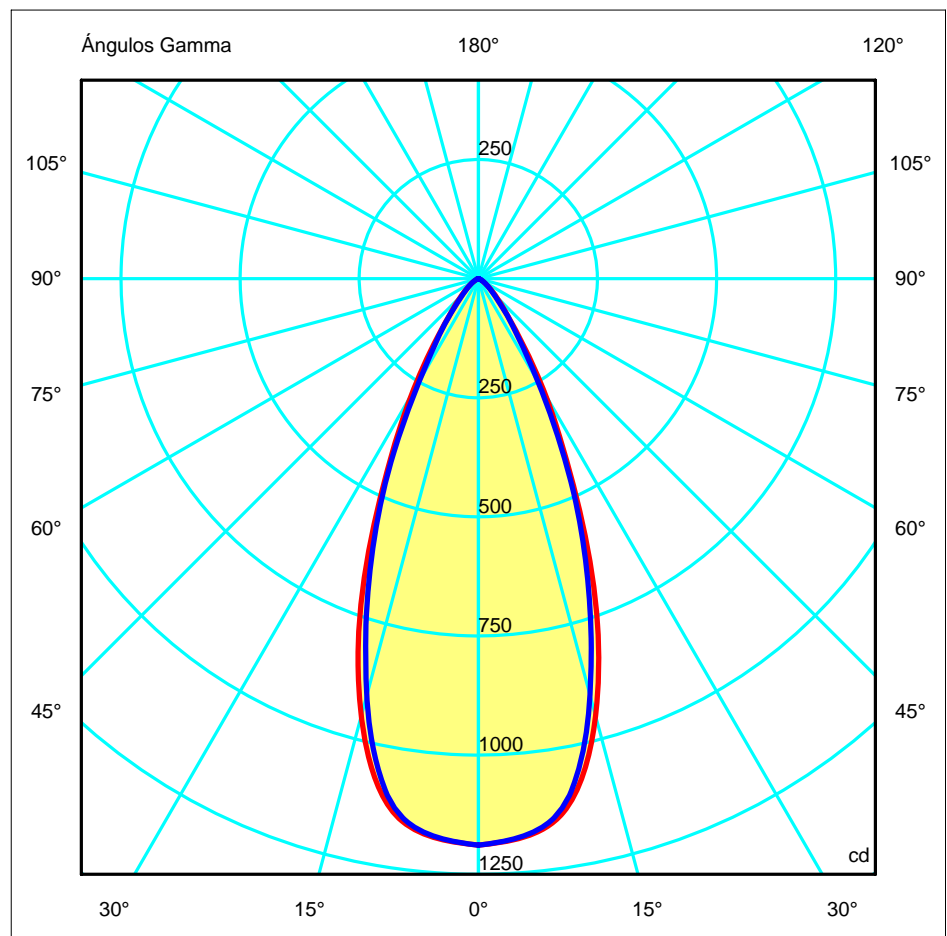
Diam=160mm

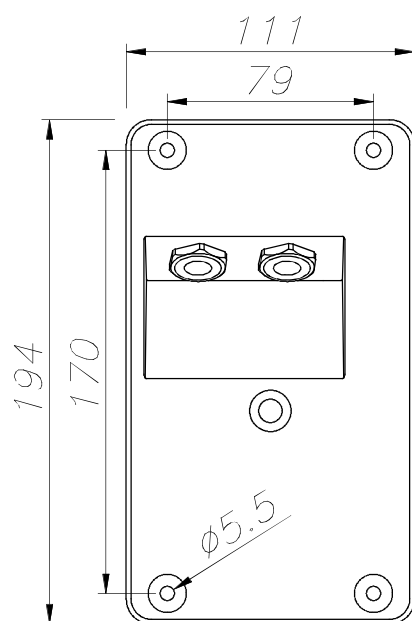
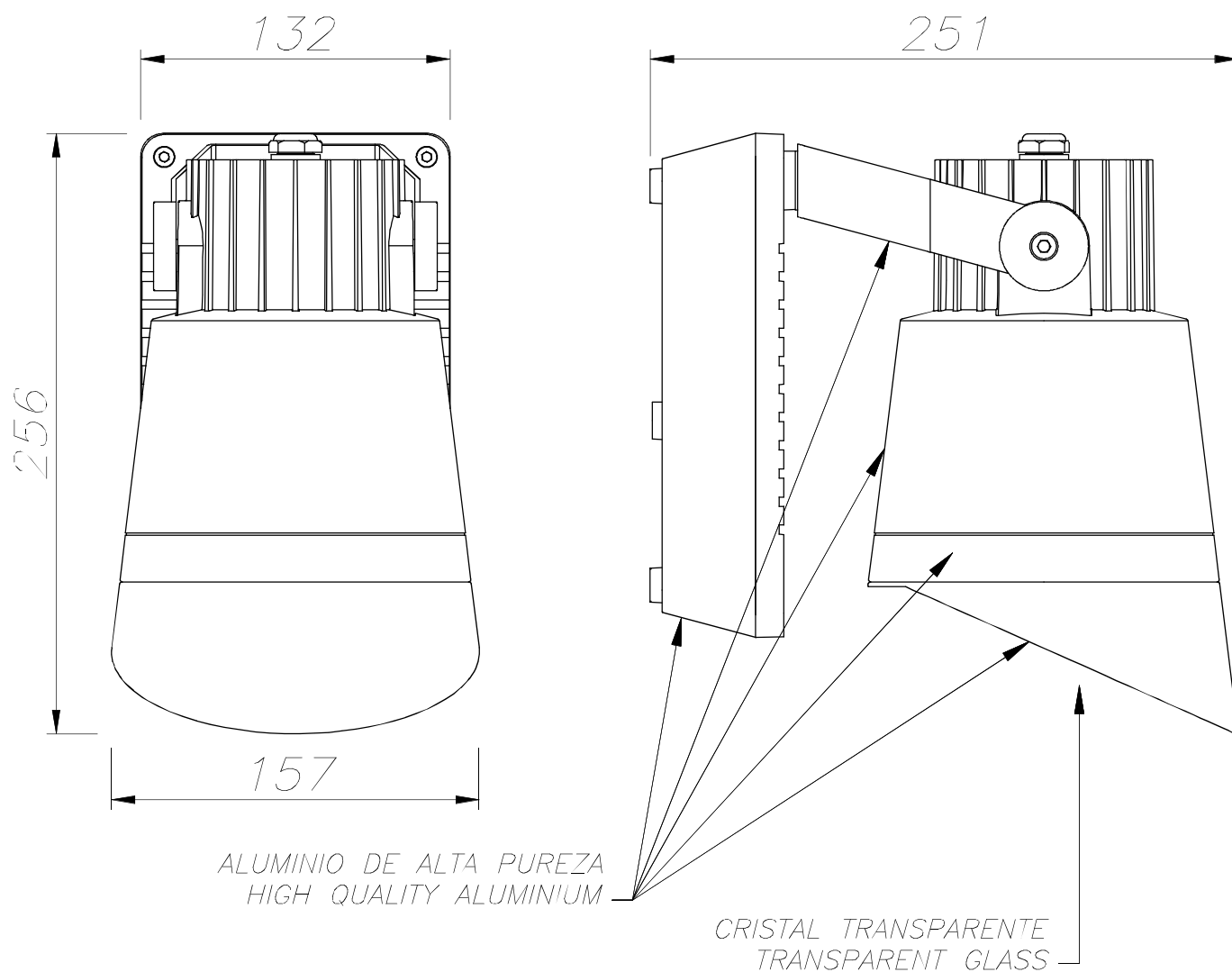


Semiplanos C

180.0 — 0.0
270.0 — 90.0

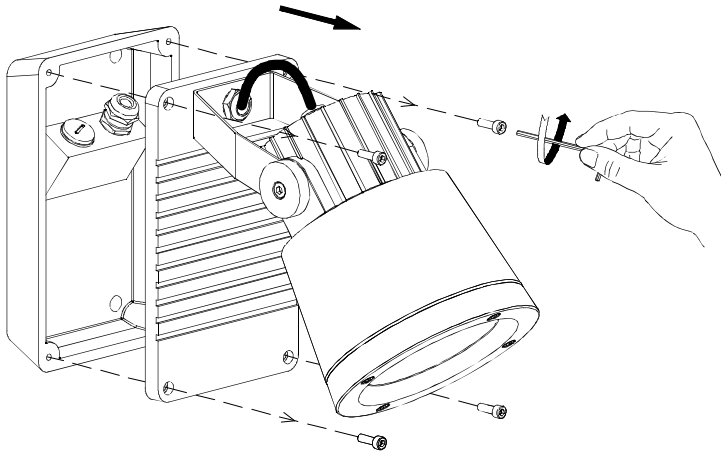
ULOR 0.00 %
DLOR 46.23 %
RN 0.00 %



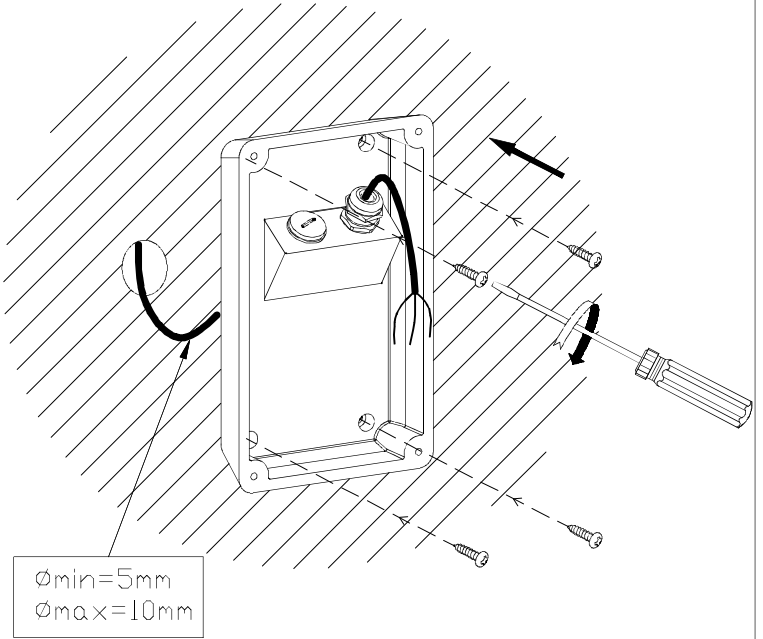


PLANTILLA DE INSTALACION
INSTALLATION TEMPLATE

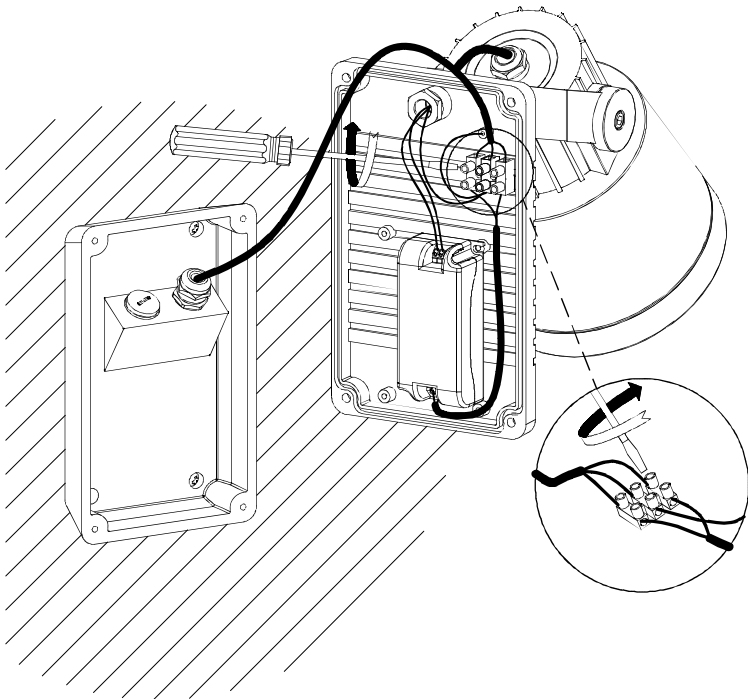
①



②



③



④

