

OUT 

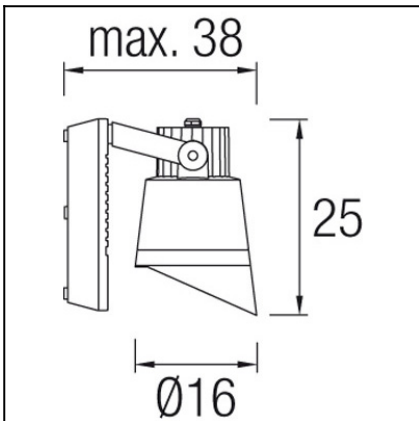
HUBBLE LED

05-9628-34-37

Design by Francesc Vilaró



The photograph may not match the reference exactly. Please read the product description to identify the finish.

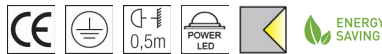


DESCRIPTION

Spotlight with body produced in high grade aluminium with a clear glass diffuser. LED light source comprising 9 PHILIPS POWER LED lights. Available in 4,200K, 3,000K and in RGB. Beam aperture of 44°. TCI driver included (100-240V) compatible with DALI, PUSH and 1-10V for the white LED versions. The RGB version includes driver and DMX controller at the base of the light. Finished in light grey. Rotatable. Its wire outlets on both sides makes it suitable for an array installation. Post included.

TECHNICAL CHARACTERISTICS

Type:	Focus
Adjustable $\pm 90^\circ$ on the horizontal axis.	
IP Protection degrees:	IP65
IK Protection degrees:	IK05
Bulb:	9 x LED Philips. Led RGB
Power (W):	3
Voltage / Frequency:	100-240V/50-60Hz
Possibilitat extensió garantia:	Sí, 5 anys
Units per box:	2
Net Weight (Kg):	3.115
EAN:	8435111091753

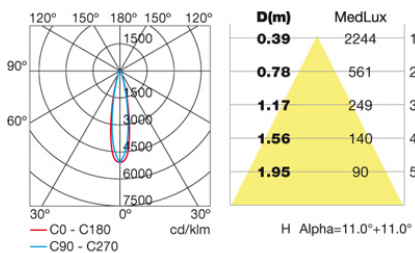


MATERIALS / FINISHES

Structure material:	High purity aluminium	Diffuser material:	Glass
Structure finish:	Grey	Diffuser finish:	Transparent

GEAR

Multi-voltage electronic gear included (110-240 V / 50-60 Hz)
Dimming protocol: DMX



Download photometric file .ldt / .ies

