

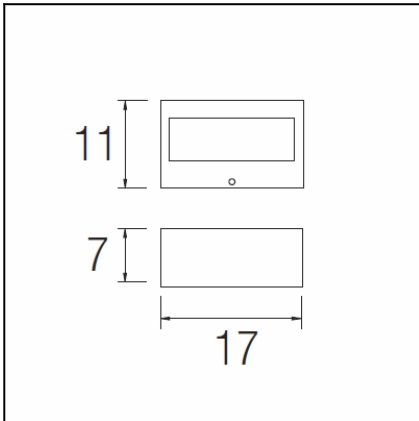
OUT 

NEMESIS

05-9637-CA-B8



The photograph may not match the reference exactly. Please read the product description to identify the finish.



Download photometric file .ldt /.ies

TECHNICAL CHARACTERISTICS

Type:	Wall fixture
IP Protection degrees:	IP44
IK Protection degrees:	IK06
Lampholder:	1 x G24d1
Power (W):	G24d1 13W
Voltage / Frequency:	230V/50Hz
Warranty (Years):	2
Units per box:	12
Net Weight (Kg):	1.015
EAN:	8435111097878,00



MATERIALS / FINISHES

Structure material: Stainless steel AISI316

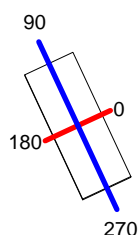
GEAR

Gear included: Yes, Magnetic

Luminaire		Measur.		Lamp		
Code	05-9637	Code	05-9637	Code	CFL	
Name	FIXTURE WALL	Name	FIXTURE WALL	Number	1	
Line	Eulumdat	Date	03-12-2013	Position		
Efficiency	38.83%	Coordinate system	CG	Total Flux	572.00 lm	
Maximum value	60.86 cd	Position	C=180.00 G=22.00	Asymmetrical		
Rectangular Luminaire	Length	170 mm	Width	66 mm	Height	1 mm
Rectangular Luminous Area	Length	170 mm	Width	66 mm	Height	0 mm
Horizontal Luminous Area	0.011220 m2	Emitting area on Plane 180°		0.000000 m2		
Emitting area on Plane 0°	0.000000 m2	Emitting area on Plane 270°		0.000000 m2		
Emitting area on Plane 90°	0.000000 m2	Glare area at 76°		0.002714 m2		
Symmetry Type	Asymmetrical	Maximum Gamma Angle		180		
Measurement Distance	0.00	Measurement Flux		572.00 lm		
Operator		Source voltage				
Temperature	25.00 °C	Source current				
Humidity	60.00 %	Photocell				
Notes						

Line		Code		Luminaire Lamps		Flux [lm]	Pow. [W]	Q.ty
Eulumdat		CFL		Name				
				CFL - 16.20 W		572.00	16.20	1
C.I.E.	54 86 98 57 39			D DIN 5040	C41			
F UTE	0.22 D + 0.17 T			B NBN	BZ 4 / 1.5 / BZ 3			

170mm x 66mm



C Halfplanes

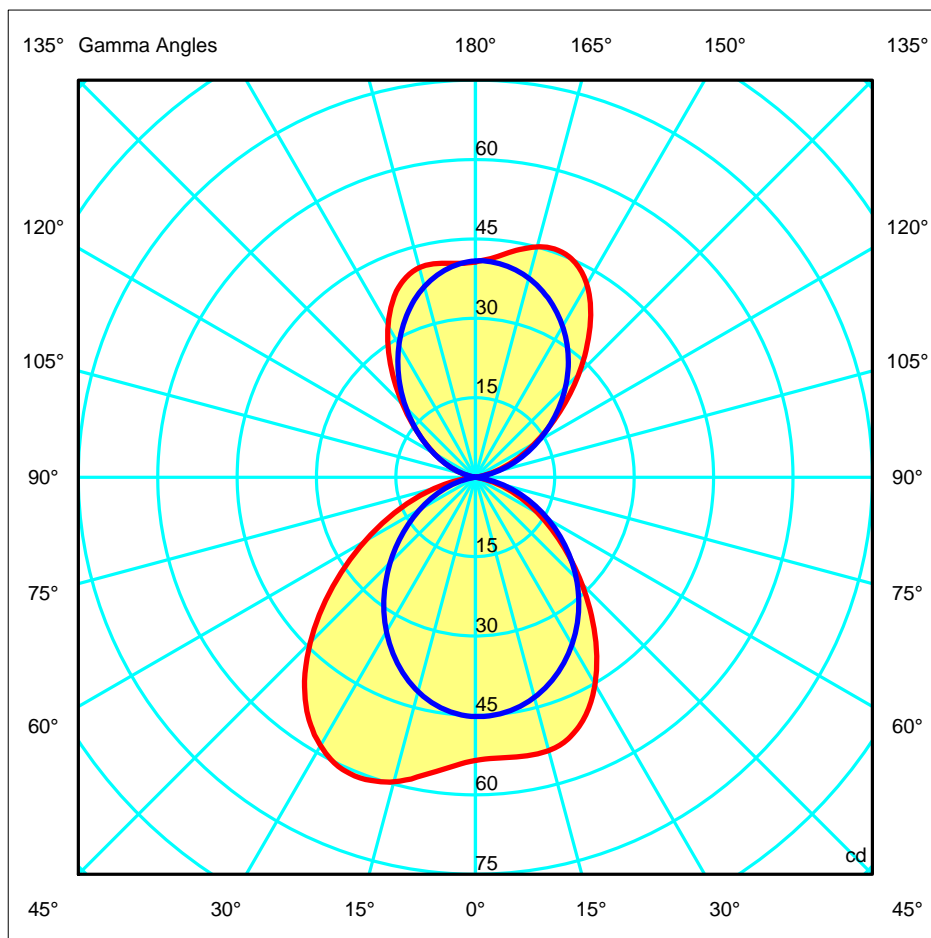
180.0 — 0.0

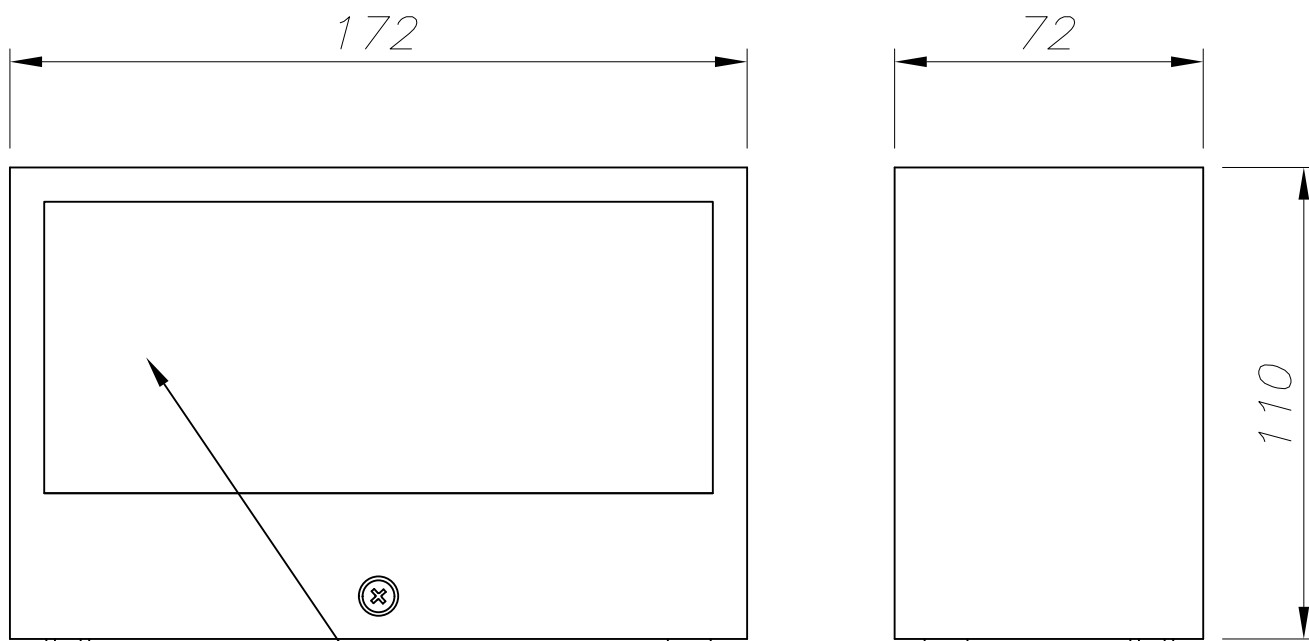
270.0 — 90.0

ULOR 16.86 %

DLOR 21.97 %

RN 43.42 %

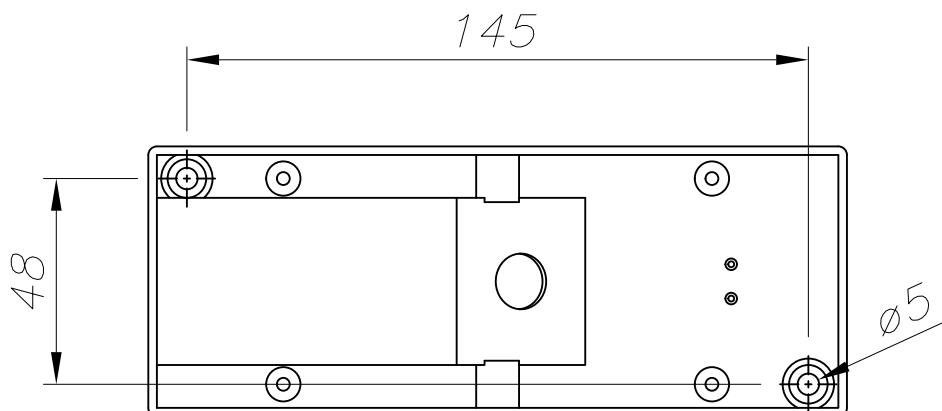




CRISTAL MATIZADO AL ÁCIDO
ACID MATT GLASS



ACERO INOXIDABLE AISI 316
STAINLESS STEEL AISI 316



PLANTILLA DE INSTALACIÓN
INSTALLATION TEMPLATE

