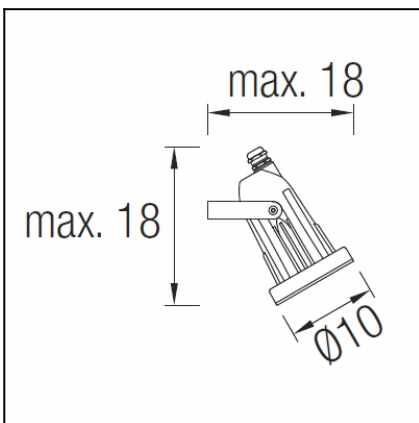
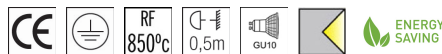


OUT 
HELIO
05-9640-14-37

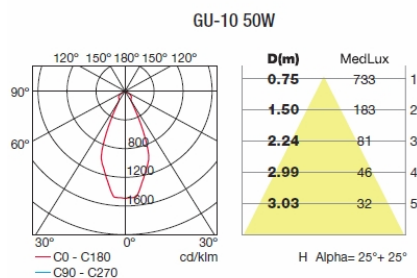

The photograph may not match the reference exactly. Please read the product description to identify the finish.


TECHNICAL CHARACTERISTICS

Type:	Spotlight
Adjustable $\pm 90^\circ$ on the horizontal axis.	
IP Protection degrees:	IP65
IK Protection degrees:	IK08
Lampholder:	1 x GU10
Power (W):	GU10 MAX 50W
Bulb included:	1 x GU10 50W
Voltage / Frequency:	220-240V/50-60Hz
Warranty (Years):	2
Units per box:	12
Net Weight (Kg):	0.675
EAN:	8435111097656,00


MATERIALS / FINISHES

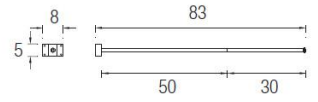
Structure material:	Injected aluminium	Diffuser material:	Glass
Structure finish:	White	Diffuser finish:	Transparent



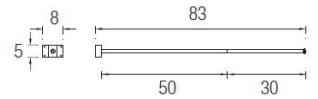
Download photometric file .ldt / .ies

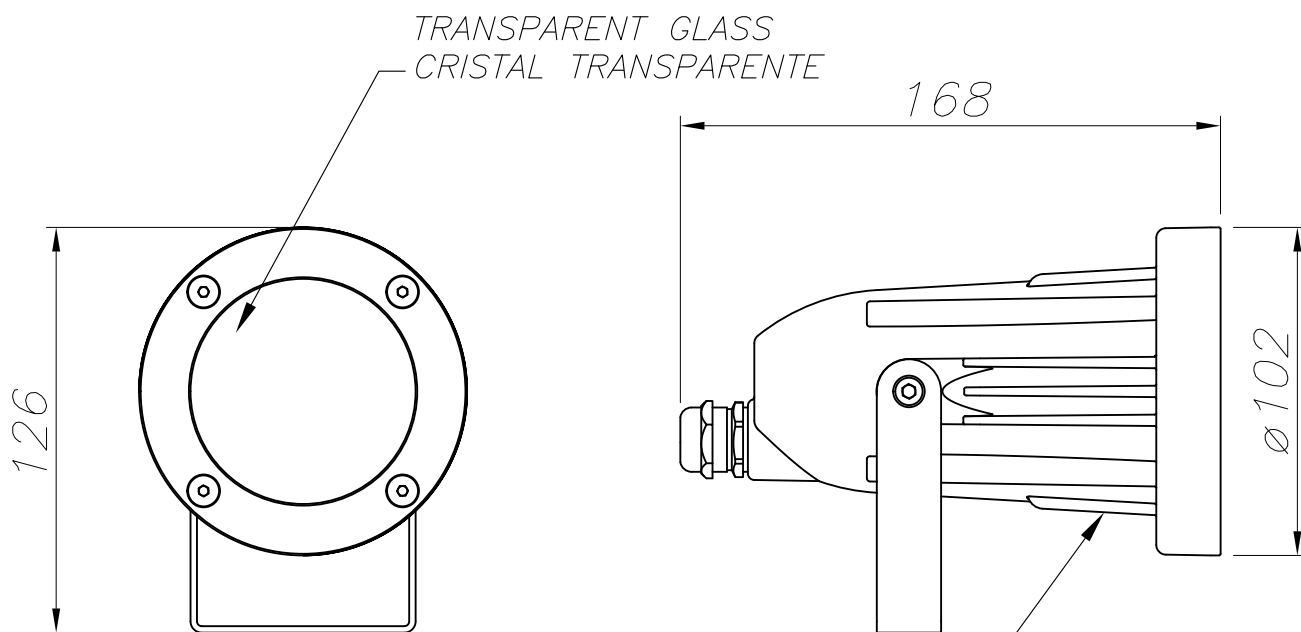
71-9487-34-34

Structure material: Galvanized steel
Structure finish: Grey

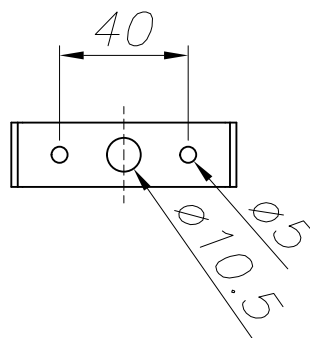
**71-9487-Z5-Z5**

Structure material: Galvanized steel
Structure finish: Urban grey





ALUMINIO DE ALTA PUREZA
HIGH QUALITY ALUMINIUM



PLANTILLA DE INSTALACIÓN
INSTALLATION TEMPLATE

