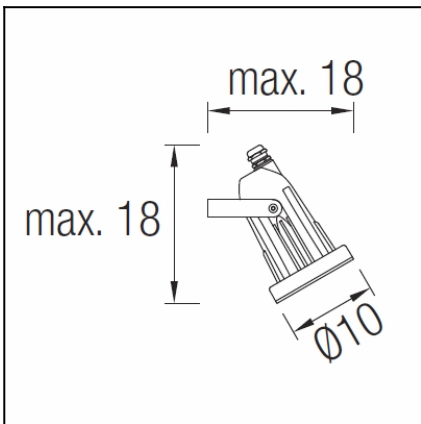
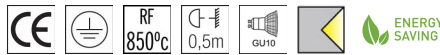




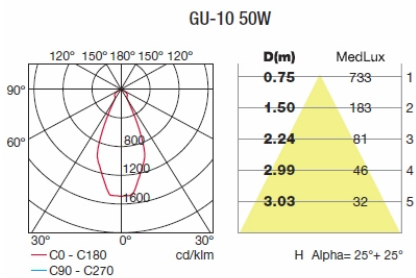
The photograph may not match the reference exactly. Please read the product description to identify the finish.


**TECHNICAL CHARACTERISTICS**

Type:	Spotlight
Adjustable $\pm 90^\circ$ on the horizontal axis.	
IP Protection degrees:	IP65
IK Protection degrees:	IK08
Lampholder:	1 x GU10
Power (W):	GU10 MAX 50W
Bulb included:	1 x GU10 50W
Voltage / Frequency:	220-240V/50-60Hz
Warranty (Years):	2
Units per box:	12
Net Weight (Kg):	0.675
EAN:	8435111097663,00


**MATERIALS / FINISHES**

<b>Structure material:</b>	Injected aluminium	<b>Diffuser material:</b>	Glass
<b>Structure finish:</b>	Grey	<b>Diffuser finish:</b>	Transparent

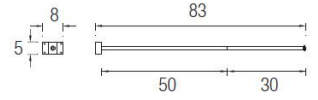


Download photometric file .ldt / .ies

71-9487-34-34



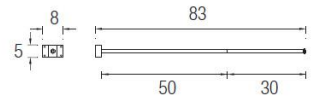
**Structure material:** Galvanized steel  
**Structure finish:** Grey

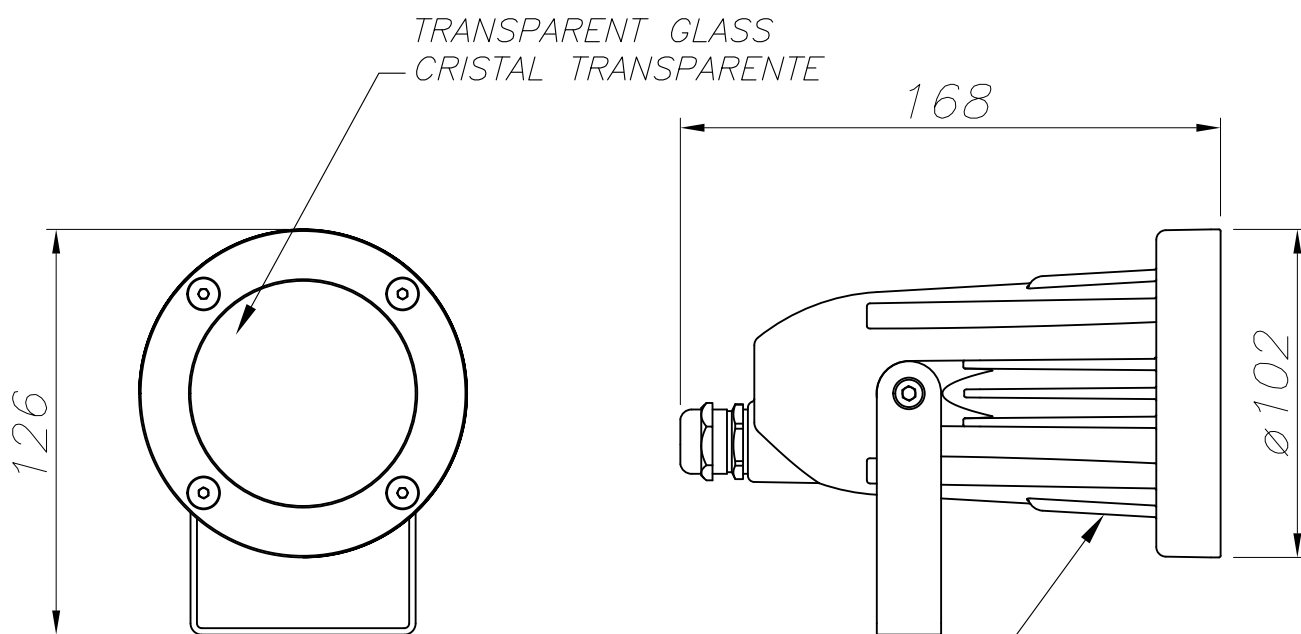


71-9487-Z5-Z5

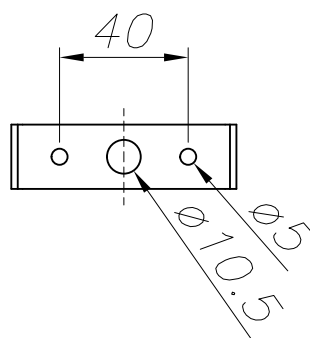


**Structure material:** Galvanized steel  
**Structure finish:** Urban grey





ALUMINIO DE ALTA PUREZA  
HIGH QUALITY ALUMINIUM



PLANTILLA DE INSTALACIÓN  
INSTALLATION TEMPLATE

